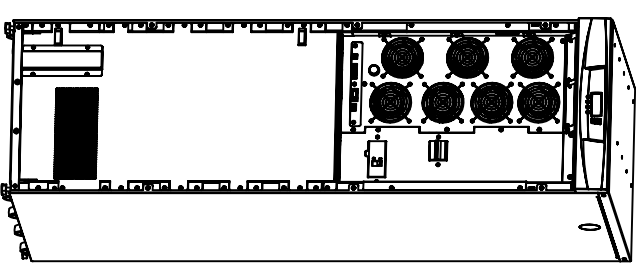
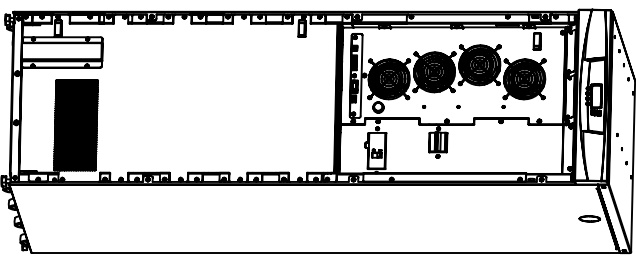
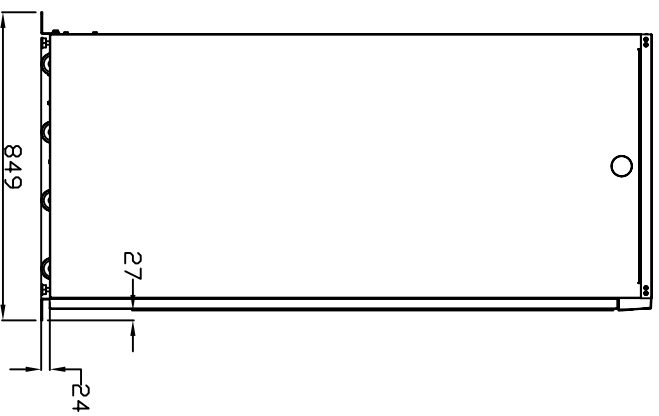
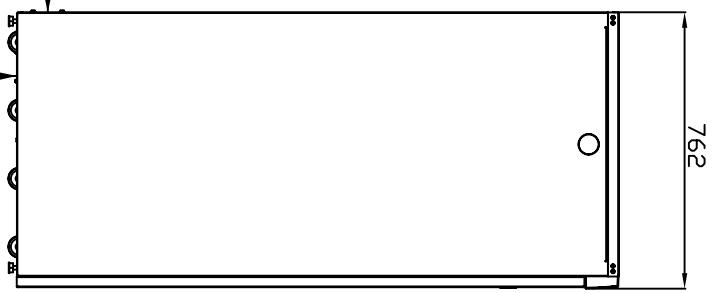
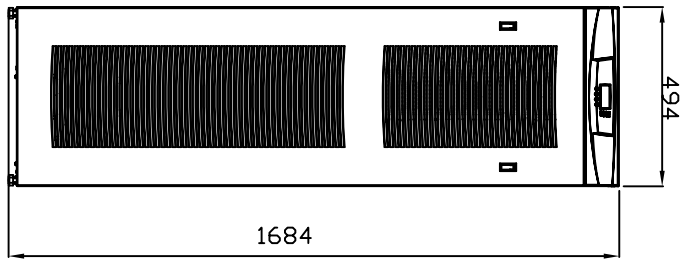


Rev/ECD no:	REV
REV	REV
REV	REV

THIS DRAWING CONTAINS PROPRIETARY INFORMATION OF POWERWARE AND MAY NOT, IN WHOLE OR IN PART, BE DUPLICATED OR DISCLOSED OR USED FOR MANUFACTURE OF ANY PART DISCLOSED HEREIN WITHOUT THE PRIOR WRITTEN PERMISSION OF POWERWARE.

Rev/ECD no:	REV
REV	REV
REV	REV

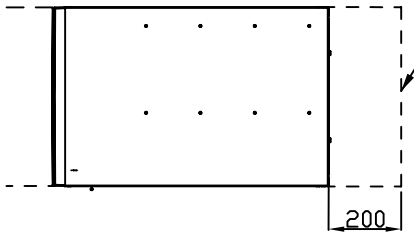
1 | 2 | 3 | 4 | 5 | 6 | 7 | 8 | 9 | 10 | 11 | 12



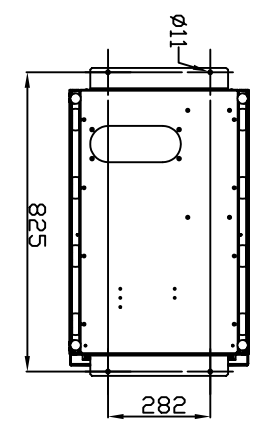
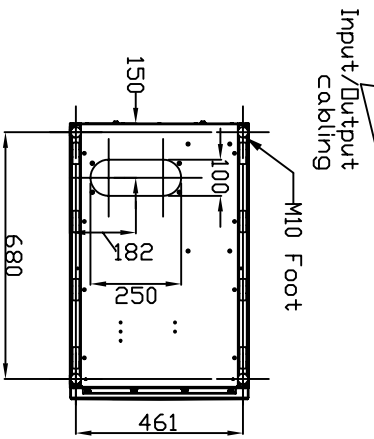
20 - 30 kVA

40 kVA

Minimum space needed for air-flow and cabling



1 meter free space needed in front of the device for maintenance purposes



Weights (20-30 / 40 kVA):  
 200/217 kg (no batteries)  
 300 kg (UPS + 1 string)  
 400 kg (UPS + 2 string)  
 500/517 kg (UPS + 3 string)  
 600/617 kg (UPS + 4 string)

POWERWARE	
Title	Dimensions Drawing
Powerware 9X55 20-40 kVA	
Checked	-
Approved	2012/2006 -
Loc	FIN
Size	A3
Page	1/1
No	9X55 20 - 40 kVA
Rev	E

H | G | F | E | D | C | B | A