

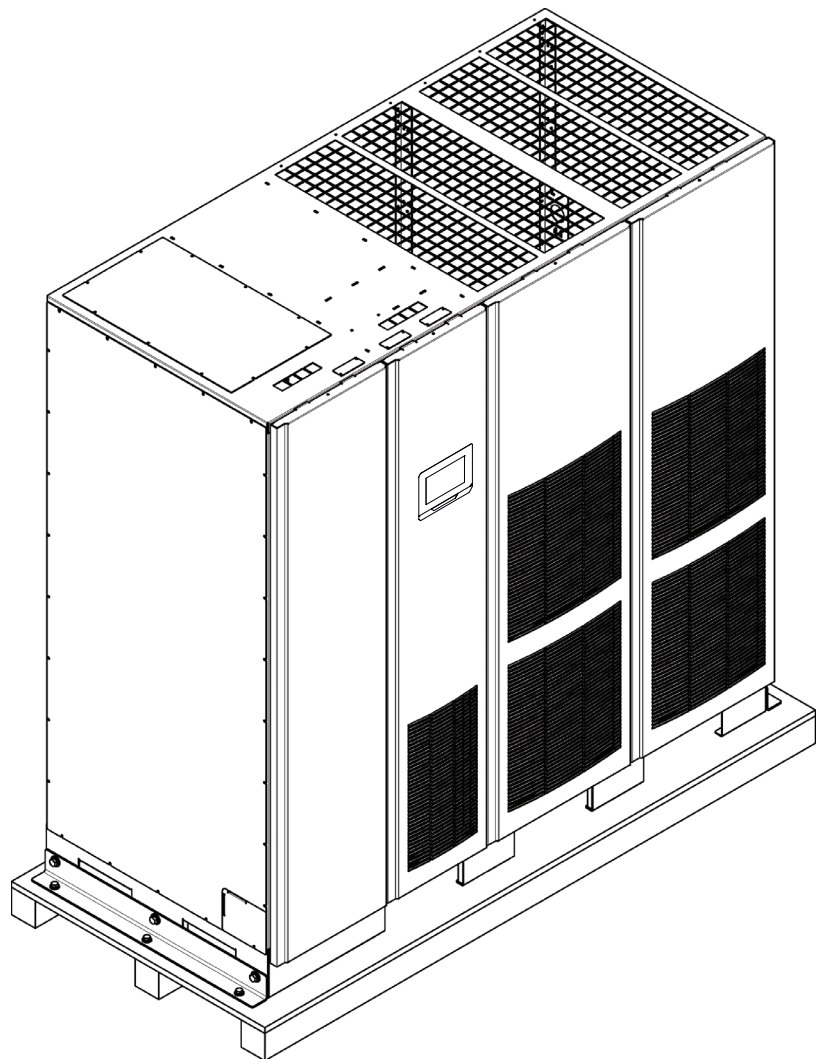


Powering Business Worldwide

User's and installation manual

Power Xpert 9395P 500–600 kVA UPS

P-164000476



Power Xpert™ 9395P UPS
500 kVA - 600 kVA
User's and Installation Guide

IMPORTANT SAFETY INSTRUCTIONS
SAVE THESE INSTRUCTIONS

This manual contains important instructions that you should follow during installation and maintenance of the UPS and batteries. Please read all instructions before operating the equipment and save this manual for future reference.

This is a product for commercial and industrial application in the second environment. Installation restrictions or additional measures may be needed to prevent disturbances.

©September 7, 2018 Eaton Corporation
All Rights Reserved

The contents of this manual are the copyright of the publisher and may not be reproduced (even extracts unless permission granted. Every care has been taken to ensure the accuracy of the information contained in this manual, but no liability can be accepted for any errors or omission. The right to make design modifications is reserved.

1	User's and Installation Guide	1
1	Introduction	12
	1.1 UPS standard features	12
	1.1.1 Installation features	12
	1.1.2 Control panel	12
	1.1.3 Customer Interface	13
	1.1.4 Advanced Battery Management	14
	1.2 Options and accessories	14
	1.2.1 Integrated battery cabinet	14
	1.2.2 Field Installed UPM	14
	1.2.3 Sync Control	14
	1.2.4 Single-feed kit	14
	1.2.5 separate battery input	14
	1.2.6 Separate rectifier input	15
	1.2.7 Distributed Bypass System	15
	1.2.8 Input Output Module configuration	15
	1.2.9 Inherent redundancy	15
	1.2.10 3-wire input and output configuration	15
	1.2.11 Energy Saver and High Alert modes	16
	1.2.12 Variable Module Management System and High Alert modes	16
	1.2.13 Optional X-Slot cards	16
	1.2.14 UPS status LED lights	16
	1.3 Basic system configurations	17
	1.4 Using this manual	17
	1.5 Conventions used in this manual	17
	1.6 Symbols, controls, and indicators	18
	1.7 For more information	18
	1.8 Getting help	19
2	Safety warnings	20
3	UPS installation plan and unpacking	22
	3.1 Creating an installation plan	22
	3.2 Preparing the site	22
	3.2.1 Environmental and installation considerations	23
	3.2.2 UPS system power wiring preparation	28
	3.2.3 UPS system interface wiring preparation	33
	3.2.4 Distributed bypass power wiring preparation	34
	3.3 Inspecting and unpacking the UPS cabinet	35
4	UPS system installation	38
	4.1 Preliminary installation information	38
	4.2 Unloading the UPS cabinet from the pallet and mechanical installation	38
	4.3 Field installed UPM (FI-UPM installation)	42
	4.4 Battery cabinet installation	42
	4.5 Distributed bypass tie cabinet installation	42
	4.6 Installing UPS external and battery power wiring	44
	4.6.1 External power wiring installation	44
	4.6.2 Battery wiring	50
	4.7 Installing interface connections	51
	4.7.1 TB1, TB2, and TB3 connections (other than TB1 battery interface connections)	51
	4.7.2 TB1 battery interface connections	57
	4.7.3 X-Slot connections	58
	4.8 Installing a remote EPO switch	60
	4.9 Installing options, accessories, and distributed bypass control wiring	63
	4.10 Initial startup	63
	4.11 Completing the installation checklist	63
5	Installing options and accessories	64
	5.1 Installing an optional HotSync CAN Bridge Card	64
	5.2 Installing distributed bypass control wiring	66
6	Understanding UPS operation	70
	6.1 Looking inside the UPS system	70
	6.2 Single UPS	71
	6.2.1 Modes	71
	6.2.2 Normal mode	71
	6.2.3 Bypass mode	73
	6.2.4 Variable Module Management System	74
	6.2.5 Energy Saver System (ESS)	74
	6.2.6 Battery mode	75

	6.3 UPS system online configurations	77
	6.4 Multiple UPS distributed bypass system	84
	6.4.1 Multiple UPS parallel system modes	84
	6.4.2 Normal mode – distributed bypass	85
	6.4.3 Bypass mode – distributed bypass	86
	6.4.4 Battery mode – distributed bypass	87
	6.5 Multiple UPS distributed bypass system online configurations	88
7	UPS operating instructions	92
	7.1 UPS controls and indicators	92
	7.1.1 Control panel	93
	7.1.2 Circuit breakers	93
	7.2 Color Touchscreen Control Panel	94
	7.3 Using the Color Touchscreen Control Panel	95
	7.3.1 Status Indicators	95
	7.3.2 Using the Touch Screen	96
	7.3.3 Using the Main Menu Buttons	97
	7.3.4 Power Maps Screen (Online Mode)	98
	7.3.5 Power Maps Screen (Bypass Mode)	100
	7.3.6 Command Confirmation Pop-Up	100
	7.3.7 Meters Summary Screen	101
	7.3.8 Input Meters Screen	101
	7.3.9 Input Meters Detail Screen	103
	7.3.10 Battery Meters Screens	103
	7.3.11 System Events Main Screen	105
	7.3.12 User Log	105
	7.3.13 System Status Screen and Controls	106
	7.3.14 Settings Screen	109
	7.3.15 Configuration Options Screen	109
	7.3.16 Energy Advantage Architecture (EAA Screen)	110
	7.3.17 Statistics Basic Screen	111
	7.3.18 ESS Comparison Screen	112
	7.3.19 UPS Module Map Screen	113
	7.3.20 System Overview Screen	113
	7.4 UPS Operation using the Color Touchscreen Control Panel	114
	7.4.1 Starting the UPS in Online mode	114
	7.4.2 Starting the UPS in Bypass mode	115
	7.4.3 Starting the UPMs	115
	7.4.4 Starting a single UPM	116
	7.4.5 Enable Variable Module Management System mode from the EEA controls menu	116
	7.4.6 Disable Variable Module Management System mode from the EEA controls menu	117
	7.4.7 Start Variable Module Management System High Alert mode from the EEA controls menu	117
	7.4.8 Transfer from Normal to Bypass mode	118
	7.4.9 Transfer from Bypass to Normal mode	118
	7.4.10 Enable Energy Saver System from EAA Controls menu	118
	7.4.11 Disable Energy Saver System from EAA Controls menu	119
	7.4.12 Transfer from Energy Saver System to Bypass mode	119
	7.4.13 Transfer from Normal to Bypass mode and shut down UPS	119
	7.4.14 Single UPM shutdown	120
	7.4.15 Single UPM restart	120
	7.4.16 UPS and critical load shutdown	120
	7.4.17 Charger control	121
	7.4.18 Using the UPS LOAD OFF	121
	7.4.19 Using the Remote Emergency Power-off switch	122
	7.4.20 Using Mechanical Bypass Switch	122
	7.5 Multiple UPS distributed bypass operation	126
	7.5.1 Starting the distributed bypass system in normal mode	126
	7.5.2 Starting the distributed bypass system in Bypass mode	126
	7.5.3 Enable Variable Module Management System mode from the EEA controls menu	127
	7.5.4 Disable Variable Module Management System mode from the EEA controls menu	127
	7.5.5 How to start High Alert Timer from the EEA Controls menu	127
	7.5.6 Starting the UPS UPMs	127
	7.5.7 Starting a single UPM	128
	7.5.8 Transfer from Normal to Bypass mode	128
	7.5.9 Transfer from Bypass to Normal mode	129
	7.5.10 Enable Energy Saver System from EAA Controls menu	129
	7.5.11 Disable Energy Saver System from EAA Controls menu	129
	7.5.12 Transfer from Energy Saver System to Bypass mode	130
	7.5.13 Transfer from Normal to Bypass mode and shut down all UPMs	130

	7.5.14	Single UPM shutdown	130
	7.5.15	Single UPM restart	131
	7.5.16	Single UPS shutdown using load off	131
	7.5.17	Single UPS shutdown using UPM shutdown	132
	7.5.18	Single UPS restart	133
	7.5.19	UPS and critical load shutdown	133
	7.5.20	Charger control	134
	7.5.21	Using the UPS LOAD OFF	134
	7.5.22	Using the Remote Emergency Power-off Switch	135
8		Communication	137
	8.1	X-Slot cards	137
	8.2	Terminal mode	138
	8.2.1	Display UPS control panel	139
	8.2.2	Event History Log	139
	8.3	Building alarm monitoring	140
	8.4	General purpose relay contact	140
9		UPS maintenance	141
	9.1	Important safety instructions	141
	9.2	Performing preventive maintenance	142
	9.2.1	DAILY maintenance	142
	9.2.2	MONTHLY maintenance	142
	9.2.3	PERIODIC maintenance	142
	9.2.4	ANNUAL maintenance	142
	9.2.5	BATTERY maintenance	142
	9.3	Installing batteries	143
	9.4	Recycling the used UPS or batteries	143
	9.5	Maintenance training	143
10		Product specifications	144
	10.1	Directives and standards	144
	10.2	Model numbers	145
	10.3	Single module specifications	145
	10.3.1	UPS system input	145
	10.3.2	UPS system output	145
	10.3.3	Environmental	146
	10.3.4	UPS DC input	147
11		Warranty	148
12		Installation checklist	149

List of Tables

Table 3-1: UPS cabinet weights	23
Table 3-2: UPS cabinet clearances	23
Table 3-3: Air conditioning or ventilation requirements during full load operation	24
Table 3-4: Input/output rating for 9395P 500 kVA - 600 kVA	28
Table 3-5: Separate rectifier input UPM ratings and external wiring requirements for the 9395P 500 kVA - 600 kVA	29
Table 3-6: UPS cabinet power cable terminations for the 9395P 500 - 600 kVA	30
Table 3-7: Recommended installation parts (not supplied by Eaton Corporation)	31
Table 3-8: Recommended input circuit breaker ratings	31
Table 3-9: Recommended bypass and output circuit breaker ratings	31
Table 3-10: Recommended DC input circuit breaker ratings	32
Table 4-1: TB1, TB2, and TB3 interface connections	57
Table 4-2: Remote EPO wire terminations	61
Table 5-1: HotSync CAN Bridge Card interface connections	65
Table 5-2: CAN Bridge Card wiring terminations	68
Table 5-3: Pull-Chain wiring terminations	68
Table 5-4: Pull-Chain wiring terminations with MOBs	69
Table 7-1: Status Indicators	96
Table 7-2: Security Levels and Functions	97
Table 7-3: Display Function Menu Map	98

List of Figures

Figure 1-1. UPS (500 kVA / 600 kVA) with the 7-inch color touchscreen	13
Figure 3-1. UPS cabinet dimensions (front view)	24
Figure 3-2. UPS cabinet dimensions (right side view)	25
Figure 3-3. UPS cabinet dimensions (top view)	25
Figure 3-4. UPS cabinet dimensions (bottom view)	26
Figure 3-5. Remote EPO switch dimensions	27
Figure 3-6. Warning label	30
Figure 3-7. Eaton 9395P 500 kVA - 600 kVA cabinet as shipped on pallet	36
Figure 4-1. Removing left side shipping bracket, ISBM and FI-UPM	40
Figure 4-2. Removing right side shipping bracket, ISBM and FI-UPM	41
Figure 4-3. Removing the UPM section right side shipping bracket, UPM	41
Figure 4-4. Distributed bypass wire length	43
Figure 4-5. Conduit and wire entry locations.	45
Figure 4-6. UPS power terminal locations - part a The terminals in the circle are not included in IOM units.	46
Figure 4-7. UPS power terminal locations - separate rectifier feed.	48
Figure 4-8. Typical alarm relay connection	52
Figure 4-9. Interface terminal locations.	53
Figure 4-10. Terminal blocks TB1, TB2, and TB3 connector assignments	55
Figure 4-11. Typical battery interface connection	58
Figure 4-12. X-Slot communication bays.	59
Figure 4-13. Remote EPO switch	60
Figure 4-14. Normally-open remote EPO switch wiring	61
Figure 4-15. Normally-closed remote EPO switch wiring	62
Figure 4-16. Normally closed and normally open remote EPO switch wiring	62
Figure 5-1. HotSync CAN Bridge Card	64
Figure 5-2. HotSync CAN Bridge Card connections	65
Figure 5-3. Distributed bypass system CAN and Pull-Chain simplified interface wiring	67
Figure 5-4. Distributed bypass system UPS CAN wiring without MOBs	67
Figure 6-1. Main elements of the UPS system	70
Figure 6-2. Path of current through the UPS in normal mode.	72
Figure 6-3. Path of current through the UPS in bypass mode.	73
Figure 6-4. Path of current through the UPS in Energy Saver System	75
Figure 6-5. Path of current through the UPS in battery mode.	76
Figure 6-6. UPS system – common rectifier feed, common battery, Dual-Feed configuration.	79
Figure 6-7. UPS system – common rectifier feed, separate battery, Dual-Feed configuration	80
Figure 6-8. UPS system with a Field Upgrade UPM – common rectifier feed, common battery, Dual-Feed configuration	81
Figure 6-9. UPS system with a Field Upgrade UPM – common rectifier feed, separate battery, Dual-Feed configuration	82
Figure 6-10. Simplified Dual-Feed UPS with maintenance bypass panel	83
Figure 6-11. Path of current through the UPSs in normal mode – distributed bypass	85
Figure 6-12. Path of current through the UPSs in bypass mode – distributed bypass	86
Figure 6-13. Path of current through the UPSs in battery mode – distributed bypass	87
Figure 6-14. Typical distributed bypass system (1+1 and 2+0 configurations)	89
Figure 6-15. Typical distributed bypass system (2+1 and 3+0 configurations)	90
Figure 6-16. Typical distributed bypass system (3+1 and 4+0 configurations)	91
Figure 7-1. Eaton 9395 500 kVA UPS controls and indicators.	92
Figure 7-2. Color Touchscreen Control Panel Location (Typical)	94
Figure 7-3. UPS Color Touch screen Control Panel (Typical).	95
Figure 7-4. Parts of the Touch Screen.	96
Figure 7-5. Sign In or Password Request Screen	97
Figure 7-6. Home Screen	98
Figure 7-7. Main Menu and Power Maps Screen (Online Mode)	99
Figure 7-8. Output kVA Screen from Home Screen	99
Figure 7-9. Average Efficiency Screen from Home Screen.	99
Figure 7-10. Consumption Screen from Home Screen	100
Figure 7-11. Bypass screen.	100
Figure 7-12. Typical Command Confirmation Screen (Charger Off)	101
Figure 7-13. Meters Summary Screen	101
Figure 7-14. Input Meters Screen	102
Figure 7-15. Bypass Meters Screen	102
Figure 7-16. Output Meters Screen	102
Figure 7-17. Input Meters Detail Screen	103
Figure 7-18. Select Source Screen	103
Figure 7-19. Battery Meters Screen	104
Figure 7-20. Battery Log Screen	104
Figure 7-21. Battery Log Detail Screen	104

Figure 7-22. Battery Log Summary Screen	105
Figure 7-23. System Events Screen.	105
Figure 7-24. User Log Screen	106
Figure 7-25. User Log Detail Screen	106
Figure 7-26. System Status Screen	107
Figure 7-27. Module Controls Screen	107
Figure 7-28. Module Control Detail Screen	108
Figure 7-29. Online Mode Metering Method Option Screen	108
Figure 7-30. Bypass Mode Metering Method Option Screen	109
Figure 7-31. Settings Screen	109
Figure 7-32. Configuration Options Screen	110
Figure 7-33. Energy Advantage Architecture (EAA Screen)	110
Figure 7-34. Disable ESS Screen	111
Figure 7-35. High Alert Timer Screen.	111
Figure 7-36. Statistics Basic Screen.	112
Figure 7-37. Statistics Data Detail Screen	112
Figure 7-38. ESS Comparison Screen	112
Figure 7-39. UPS Module Map Screen	113
Figure 7-40. System Overview Screen	113
Figure 7-41. The normal positions of the MBS switches and rectifier disconnect switch (must be located in the site wiring)	123
Figure 8-1. Optional X-Slot cards	138

1 Introduction

The Eaton Power Xpert® 9395P uninterruptible power supply (UPS) is a true online, continuous-duty, transformerless, double-conversion, solid-state, three-phase system, providing conditioned and uninterruptible AC power to protect the customer's load from power failures.

The Eaton 9395P UPS 500 kVA PF 1.0 and 600 kVA PF 0.92 contains two sections: a section configured either as an integrated system bypass module (ISBM) or an Input Output Module (IOM) rated for a maximum of 500/600 kVA and an Uninterruptible Power Module (UPM) section containing two UPMs. Each UPM is rated for a maximum of 250 kVA / 300 kVA for a total maximum of 500 kVA / 600 kVA.

The UPS is available as a single unit or as an optional multiple unit distributed bypass system (see Section 1.2.7).

The Eaton online power protection system is used to prevent loss of valuable electronic information, minimize equipment downtime, and minimize the adverse effect on production equipment due to unexpected power problems.

The Eaton 9395P UPS continually monitors incoming electrical power and removes the surges, spikes, sags, and other irregularities that are inherent in commercial utility power. Working with a building's electrical system, the UPS system supplies clean, consistent power that sensitive electronic equipment requires for reliable operation. During brownouts, blackouts, and other power interruptions, batteries provide emergency power to safeguard operation.

The UPS system is housed in a single, free-standing cabinet with safety shields behind the door for hazardous voltage protection. The cabinet matches the battery and distribution cabinets in style and color and can be installed in line-up-and-match or standalone configurations.

Figure 1-1 shows the Eaton 9395P UPS 500 kVA / 600 kVA.



NOTE

Startup and operational checks must be performed by an authorized Eaton Customer Service Engineer, or the warranty terms specified on page 148 become void. This service is offered as part of the sales contract for the UPS. Contact service in advance (usually a two-week notice is required to reserve a preferred startup date).

1.1 UPS standard features

The UPS has many standard features that provide cost-effective and consistently reliable power protection. The descriptions in this section provide a brief overview of the UPS standard features.

1.1.1 Installation features

Cabinets can be permanently bolted to the floor. Power and control wiring can be routed through the top or bottom of the cabinet with connections made to easily accessible terminals. Line-up-and-match battery cabinets are wired through the side panels of the units. Optional X-Slot connectivity cards are quickly installed at the front of the unit and are hot-pluggable.

1.1.2 Control panel

The control panel, located on the front of the UPS, is a 7" touchscreen to control the operation of the UPS and to display the status of the UPS system. See Chapter 4: "UPS operating instructions" for additional information.

The following figure shows the Eaton 9395P UPS with the 7" LCD Color Touchscreen.

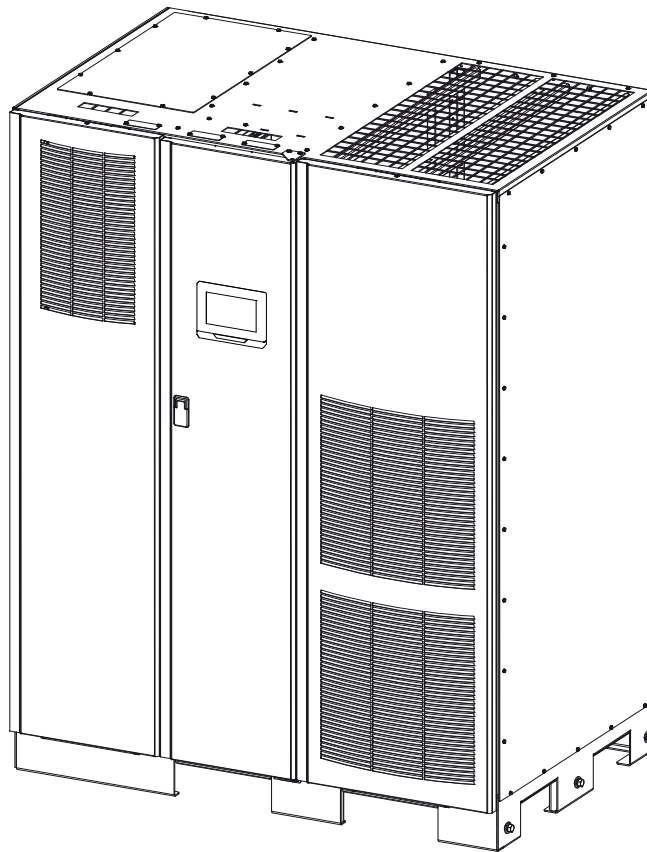


Figure 1-1. UPS (500 kVA / 600 kVA) with the 7-inch color touchscreen

1.1.3 Customer Interface

- Building Alarm Monitoring – Up to five inputs in the UPS are available to connect the facility’s alarm system contacts. Some system configurations may limit the number of inputs available. The UPS uses these inputs to monitor the building alarms in addition to the UPS status. See Chapter 4: “Communication” for additional information.
- Alarm Contact – One alarm contact is provided for connection to equipment at the facility, such as a light, an audible alarm, or a computer terminal. The equipment connected to this contact alerts you to a UPS alarm. See Chapter 4: “Communication” for additional information.
- X-Slot Communication Bay – A four-slot communication bay is provided as a standard feature. Four optional X-Slot cards can be installed in the UPS module at any time. See Chapter 4: “Communication” for additional information.

1.1.4 Advanced Battery Management

A three-stage charging system increases battery service life by optimizing recharge time, and protects batteries from damage due to high current charging and inverter ripple currents. Charging at high currents can overheat and damage batteries.

1.2 Options and accessories

Contact an Eaton sales representative for information about the following options.

1.2.1 Integrated battery cabinet

Battery backup protection can be enhanced by equipping the UPS system with up to four Eaton 9395P battery cabinets containing sealed lead-acid, maintenance-free batteries. The battery cabinet is available in one size, with a 240-cell configuration. The cabinets are designed for line-up-and-match installation, but may be installed separate from the UPS cabinet.

1.2.2 Field Installed UPM

A Field Installed UPM (FI-UPM) provides N+1 redundancy for the UPS system. The FI-UPM may be installed at any time in the future when power needs change. The module cabinet is installed on the left side of the UPS and is wired directly to the UPS. No input or output wiring changes are needed for redundancy. Operation remains the same as for the original UPS.

1.2.3 Sync Control

An optional Eaton 9395P Sync Control maintains the critical load outputs of two separate single module Eaton 9395P UPS systems in synchronization. This option facilitates the uninterrupted transfer of the load from one load bus to another by means of a transfer switch. The Sync Control is housed in a wall-mounted panel that can be located between the UPS units for easy wiring.

1.2.4 Single-feed kit

An optional kit is available for converting the dual-feed rectifier and bypass inputs to a single-feed configuration. The kit consists of jumpers and bus bar extenders for each phase, and the hardware required for installation. Separate rectifier input

1.2.5 separate battery input

Separate battery input is a factory-installed option.

Power Xpert 9395P UPS can be supplied with a separate battery input for each UPM. Separate battery input is ideal for scalable systems: you can increase both the UPS capacity and the battery capacity in equally sized steps, without the need to size the battery system to full UPS capacity from day one.

Power Xpert 9395P 500 kVA - 600 kVA UPS can be supplied with separate rectifier inputs for each UPM. Separate inputs provide increased flexibility and reliability by allowing multiple input sources to supply the UPS. Input circuit breaker CB1 is not installed with this configuration. AC input control to the UPS and each UPM rectifier is to be provided by the customer.

1.2.6 Separate rectifier input

Separate rectifier input is a factory-installed option.

The Eaton 9395P 500 kVA - 600 kVA UPS can be supplied with separate rectifier inputs for each UPM. Separate inputs provide increased flexibility and reliability by allowing multiple input sources to supply the UPS. Input circuit breaker CB1 is not installed with this configuration. AC input control to the UPS and each UPM rectifier is to be provided by the customer.

1.2.7 Distributed Bypass System

There are two types of redundancy: UPS based (based on the number of UPSs and UPM based (based on the number of UPMs. Each UPS can contain one to three UPMs.

A distributed bypass UPS system with two to five UPS units can be installed to provide a capacity and/or redundant system. This load sharing system provides more capacity than a single UPS, and can provide redundancy, depending on the load and configuration. In addition, when one UPM or UPS is taken out of service for maintenance or is not operating properly, a redundant UPM or UPS continues to supply uninterrupted power to the critical load. An Eaton HotSync® Controller Area Network (CAN provides connectivity and operational mode control. The distributed bypass system consists of two to five UPS units each with a CAN card (for paralleling the UPSs, and a customer-supplied tie cabinet or load distribution panel to act as a tie point.

The tie cabinet must contain Module Output Breakers (MOBs with dual auxiliary contacts for control of the system. Without dual auxiliary MOBs, UPSs are not allowed to go to bypass individually during servicing. All UPSs will go to bypass instead of just the UPS needing service, decreasing critical load protection. With dual auxiliary MOBs, one UPS can be bypassed while the remaining UPSs support the load as long as the remaining UPMs have the capacity to do so.

1.2.8 Input Output Module configuration

The UPS can be supplied in an Input Output Module (IOM configuration without the bypass input connections, the static switch, and the backfeed protection contactor. This configuration is primarily used in multiple UPS parallel systems that do not need a bypass for each UPS and use a separate System Bypass Module (SBM to provide system bypass capabilities.

1.2.9 Inherent redundancy

To deliver greater reliability, the Eaton 9395P UPS can be configured by an authorized Eaton Customer Service Engineer for inherent redundancy. When configured, the UPS automatically becomes redundant if the load is at or below the capacity of the UPMs minus the capacity of one UPM. Under normal conditions the UPMs in the UPS share the load equally. If one or more UPMs becomes unavailable and the load is at or below the capacity of remaining UPMs, the remaining UPMs supply the load instead of transferring to bypass.

If the capacity of the UPMs falls below the redundancy level or the load increases above redundancy level, but is still able to maintain the load, a loss of redundancy alarm is sounded. If the load exceeds the capacity of remaining UPMs, the UPS transfers to bypass.

1.2.10 3-wire input and output configuration

The UPS can be factory configured with 3-wire input and output. The 3-wire UPS model does not require a neutral wire

1.2.11 Energy Saver and High Alert modes



NOTE

The Variable Module Management System and Energy Saver System modes are mutually exclusive.

Energy Saver mode allows the UPS to operate in Bypass mode. In this mode, the UPS is operating on bypass, with the UPMs in standby, ready to automatically transfer to Normal mode if a commercial electrical power brownout, blackout, overvoltage, undervoltage, or out-of-tolerance frequency condition occurs. In High Alert mode the unit transfers from Energy Saver mode to Normal mode (inverter online or if in Normal mode remains in Normal mode for a default time period of one hour. The High Alert mode time period is configurable by an Eaton Customer Service Engineer. The High Alert mode allows the user to place the unit online with full protection when outside conditions could cause a power disturbance. At the end of the time period, the unit defaults back to Energy Saver mode. If the High Alert mode is reactivated during the time period, the timer will be restarted.

1.2.12 Variable Module Management System and High Alert modes



NOTE

The Variable Module Management System and Energy Saver System modes are mutually exclusive.

The Variable Module Management System (VMMS) mode maintains UPM redundancy and achieves higher efficiencies by intelligently controlling the UPM's load level. The efficiency rating for each UPM is highest when loads are 20-80% of its rating. Therefore, shifting the load to fewer UPMs can achieve higher efficiencies when the UPS load is lighter.

In VMMS mode, the UPS is actively monitoring the critical bus and UPMs are available to assume load in less than 2 ms to respond to load changes.

The VMMS feature has three configurable modes of operation: Online mode, Online mode with VMMS, and High Alert mode. All modes are selectable from the front panel.

VMMS mode supports both distributed bypass and SBM parallel configurations.

In High Alert mode, all idle UPMs go online for one hour. At the end of the hour, the UPS defaults back to VMMS mode. If the High Alert mode is reactivated during the one hour, the one hour timer will be restarted.

1.2.13 Optional X-Slot cards

The optional X-Slot cards support several protocols, such as SNMP, HTTP, AS/400®, and Modbus®. See Chapter 4: "Communication" for additional information.

1.2.14 UPS status LED lights

The status LED lights show the status of each UPM in the UPS system. With the status LED lights installed, the status of each UPM in the system can be easily seen from across the room without the need to check each unit individually.

The status LED lights show four different modes: normal mode, UPM in ready state, battery mode and UPM alarm active.

1.3 Basic system configurations

The following basic UPS system configurations are possible:

- Single UPS with two UPMs with a common battery and two to four battery cabinets for both UPMs
- Single UPS with two UPMs with separate batteries and two to three battery cabinets per UPM
- Single UPS with two UPMs with a common battery and a standalone common battery rack system
- Single UPS with two UPMs with a common battery and a FI-UPM with a common battery, and one standalone battery rack system for the UPMs
- Single UPS with two UPMs with separate batteries and two standalone separate battery rack systems
- Single UPS with two UPMs with separate batteries and a FI-UPM with a separate battery, and one standalone battery rack system per UPM
- Distributed bypass system with two to five UPSs and a customer-supplied tie cabinet

The UPS system configuration can be enhanced by adding optional accessories such as a Remote Emergency Power-off (REPO control, RMP II, or X-Slot communication cards.

1.4 Using this manual

This manual describes how to install and operate the Eaton 9395P 500 kVA / 600 kVA cabinet. Read and understand the procedures described in this manual to ensure trouble-free installation and operation. In particular, be thoroughly familiar with the REPO procedure (see Section "Using the Remote Emergency Power-off Switch" on page 135.


The information in this manual is divided into sections and chapters. The system, options, and accessories being installed dictate which parts of this manual should be read. At a minimum, Chapters 1 through 4 and Chapter 7 should be examined.

Read through each procedure before beginning the procedure. Perform only those procedures that apply to the UPS system being installed or operated.

1.5 Conventions used in this manual

This manual uses these type conventions:

- Bold type highlights important concepts in discussions, key terms in procedures, and menu options, or represents a command or option that you type or enter at a prompt.
- Italic type highlights notes and new terms where they are defined.
- Screen type represents information that appears on the screen or LCD.

Icon	Description
	Information notes call attention to important features or instructions.
[Keys]	Brackets are used when referring to a specific key, such as [Enter] or [Ctrl].

In this manual, the term UPS refers only to the UPS cabinet and its internal elements. The term UPS system refers to the entire power protection system – the UPS cabinet, the battery cabinet, and options or accessories installed.

1.6 Symbols, controls, and indicators

The following are examples of symbols used on the UPS or accessories to alert you to important information:



RISK OF ELECTRIC SHOCK - Indicates that a risk of electric shock is present and the associated warning should be observed.



CAUTION: REFER TO OPERATOR'S MANUAL - Refer to your operator's manual for additional information, such as important operating and maintenance instructions.



This symbol indicates that you should not discard the UPS or the UPS batteries in the trash. This product involves sealed, lead-acid batteries and must be disposed of properly. For more information, contact your local recycling/reuse or hazardous waste center.



This symbol indicates that you should not discard waste electrical or electronic equipment (WEEE) in the trash. For proper disposal, contact your local recycling/reuse or hazardous waste center.

1.7 For more information

Refer to the Eaton 9395P Integrated Battery Cabinet (Model IBC-L installation manual (1028181 for the following additional information:

- Integrated Battery Cabinet (IBC installation instructions, including site preparation, planning for installation, wiring, and safety information.
- Detailed illustrations of the cabinet, including dimension and connection point drawings.

Visit www.Eaton.com or contact your service representative for information on how to obtain copies of these manuals.

1.8 Getting help

Call your local service representative if help is needed with any of the following:

- Scheduling initial startup
- Regional locations and telephone numbers
- A question about any of the information in this manual
- A question this manual does not answer

2 Safety warnings

IMPORTANT SAFETY INSTRUCTIONS SAVE THESE INSTRUCTIONS

This manual contains important instructions that should be followed during installation and maintenance of the UPS and batteries. Please read all instructions before operating the equipment and save this manual for future reference. The UPS is designed for computer room applications, and contains safety shields behind the door and front panels. However, the UPS is a sophisticated power system and should be handled with appropriate care.



DANGER

This UPS contains LETHAL VOLTAGES. All repairs and service should be performed by AUTHORIZED SERVICE PERSONNEL ONLY. There are NO USER SERVICEABLE PARTS inside the UPS.



WARNING

- The UPS is powered by its own energy source (batteries). The output terminals may carry live voltage even when the UPS is disconnected from an AC source. To reduce the risk of fire or electric shock, install this UPS in a temperature and humidity controlled, indoor environment, free of conductive contaminants. Ambient temperature must not exceed the maximum operating temperature that is specified in the document. Do not operate near water or excessive humidity. The system is not intended for outdoor use.
 - Ensure all power is disconnected before performing installation or service.
 - Batteries can present a risk of electrical shock or burn from high short-circuit current.
 - The following precautions should be observed: 1 Remove watches, rings, or other metal objects; 2 Use tools with insulated handles; 3 Do not lay tools or metal parts on top of batteries; 4 Wear rubber gloves and boots.
 - ELECTRIC ENERGY HAZARD. Do not attempt to alter any battery wiring or connectors. Attempting to alter wiring can cause injury.
 - Do not open or mutilate batteries. Released electrolyte is harmful to the skin and eyes. It may be toxic.
-



CAUTION

- Installation or servicing should be performed by qualified service personnel knowledgeable of batteries and required precautions. Keep unauthorized personnel away from batteries. Consider all

warnings, cautions, and notes before installing or replacing batteries. DO NOT DISCONNECT the batteries while the UPS is in Battery mode.

- Replace batteries with the same number and type of batteries as originally installed in the UPS.
 - Disconnect the charging source prior to connecting or disconnecting terminals.
 - Determine if the battery is inadvertently grounded. If it is, remove the source of the ground. Contacting any part of a grounded battery can cause a risk of electric shock. An electric shock is less likely if you disconnect the grounding connection before you work on the batteries.
 - Proper disposal of batteries is required. Refer to local codes for disposal requirements.
 - Do not dispose of batteries in a fire. Batteries may explode when exposed to flame.
 - Keep the UPS door closed and front panels installed to ensure proper cooling airflow and to protect personnel from dangerous voltages inside the unit.
 - Do not install or operate the UPS system close to gas or electric heat sources.
 - The operating environment should be maintained within the parameters stated in this manual.
 - Keep surroundings uncluttered, clean, and free from excess moisture.
 - Observe all DANGER, CAUTION, and WARNING notices affixed to the inside and outside of the equipment.
-



CAUTION

To prevent damage to the wiring channel and wiring in the UPS cabinet base when lifting or moving the cabinet:

- Lift and move the cabinet using only the front or rear forklift slots.
- Verify that the forklift forks are in a horizontal position before inserting them into the forklift slots. DO NOT angle fork tips upward.
- Insert the forks all the way through the base. DO NOT insert forks partially into the base to move the cabinet.
- Forks may be partially inserted into the front or rear forklift slots for minor positioning if the forks are kept in a horizontal position with no upward angling.
- DO NOT use the forklift slots on the end of the cabinet to move the cabinet.
- End forklift slots may be used for minor positioning if the forks are kept in a horizontal position with no upward angling.

If these instructions are not followed, damage to the wiring channel and wiring will occur.

3 UPS installation plan and unpacking

Use the following basic sequence of steps to install the UPS:

1. Create an installation plan for the UPS system (Chapter 3).
2. Prepare your site for the UPS system (Chapter 3).
3. Inspect and unpack the UPS cabinet (Chapter 3).
4. Unload and install the UPS cabinet, and wire the system (Chapter 1: "UPS system installation").
5. Complete the installation checklist at the end of this manual.
6. Have authorized service personnel perform preliminary operational checks and startup.



NOTE

Startup and operational checks must be performed by an authorized Eaton Customer Service Engineer, or the warranty terms specified on page 123 become void. This service is offered as part of the sales contract for the UPS. Contact service in advance (usually a two-week notice is required to reserve a preferred startup date).

3.1 Creating an installation plan

Before installing the UPS system, read and understand how this manual applies to the system being installed. Use the procedures and illustrations in Section 3.2 and Chapter 1: "UPS system installation" to create a logical plan for installing the system.

3.2 Preparing the site

For the UPS system to operate at peak efficiency, the installation site should meet the environmental parameters outlined in this manual. If the UPS is to be operated at an altitude higher than 1000 m, contact your service representative for important information about high altitude operation. The operating environment must meet the weight, clearance, and environmental requirements specified.

3.2.1 Environmental and installation considerations

The UPS system installation must meet the following guidelines:

- The system must be installed on a level floor suitable for computer or electronic equipment.
- The system must be installed in a temperature and humidity controlled indoor area free of conductive contaminants.
- The cabinet can be installed in line-up-and-match or standalone configurations.

Failure to follow guidelines may void your warranty.

The UPS equipment operating environment must meet the weight requirements shown in Table 3-1 and the size requirements shown in Figure 3-1 through Figure 3-5. Dimensions are in millimeters.

Model	Weight kg	
	Shipping	Installed
9395P 500 kVA / 500 kW 9395P 600 kVA / 550 kW 9395P 600 kVA / 600 kW	1505	1450

Table 3-1: UPS cabinet weights

The cabinet is delivered in 2 or 3 packages depending on the UPS model. The UPS cabinets use forced air cooling to regulate internal component temperature. Air inlets are in the front of the cabinet and outlets are in the top. You must allow clearance in front of and above each cabinet for proper air circulation. The clearances required around the UPS cabinet are shown in Table 3-2.

From top of cabinet	Minimum clearance over the UPS cabinet is 458 mm for ventilation
From front of cabinet	915 mm working space
From back of cabinet	None required, but for easier service 500 mm is recommended.
From right side of cabinet	100 mm
From left side of cabinet	None required

Table 3-2: UPS cabinet clearances

Ensure that the UPS system does not exceed the limits for the following basic environmental conditions:

- Ambient temperature
- Relative humidity

Refer to *10.2.3 Environmental* for temperature and humidity limits.

Rating/kVA	Heat rejection kW	Heat rejection BTU / h x 1000
9395P 500 kVA / 500 kW	22.1	75.4
9395P 600 kVA / 550 kW	25.3	86.3
9395P 600 kVA / 600 kW	28.3	96.6

Table 3-3: Air conditioning or ventilation requirements during full load operation

Ventilation required for cooling air exhaust: approximately 725 liter/sec/250-300kVA unit, + 280 liter/sec (ISBM).

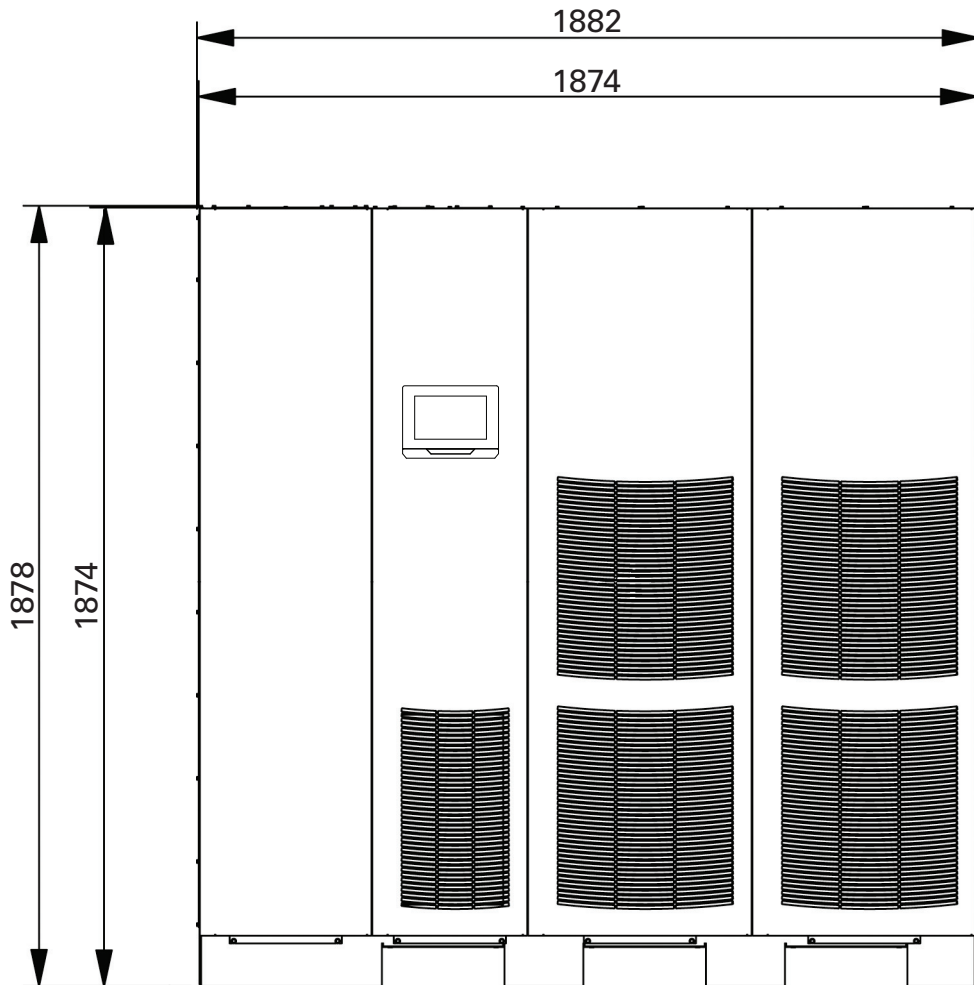


Figure 3-1. UPS cabinet dimensions (front view)

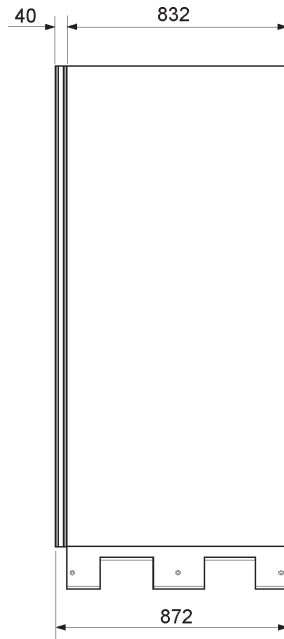


Figure 3-2. UPS cabinet dimensions (right side view)

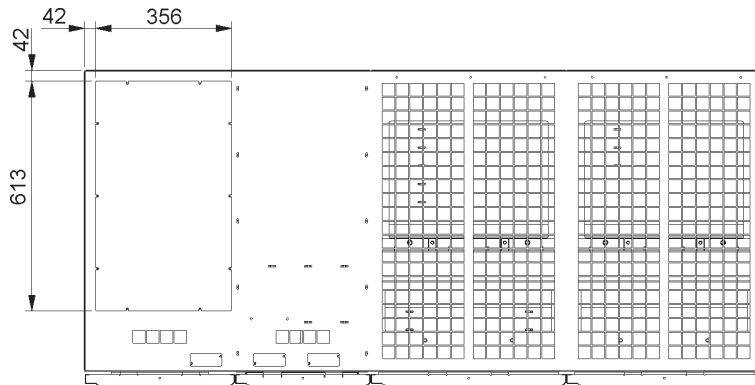


Figure 3-3. UPS cabinet dimensions (top view)

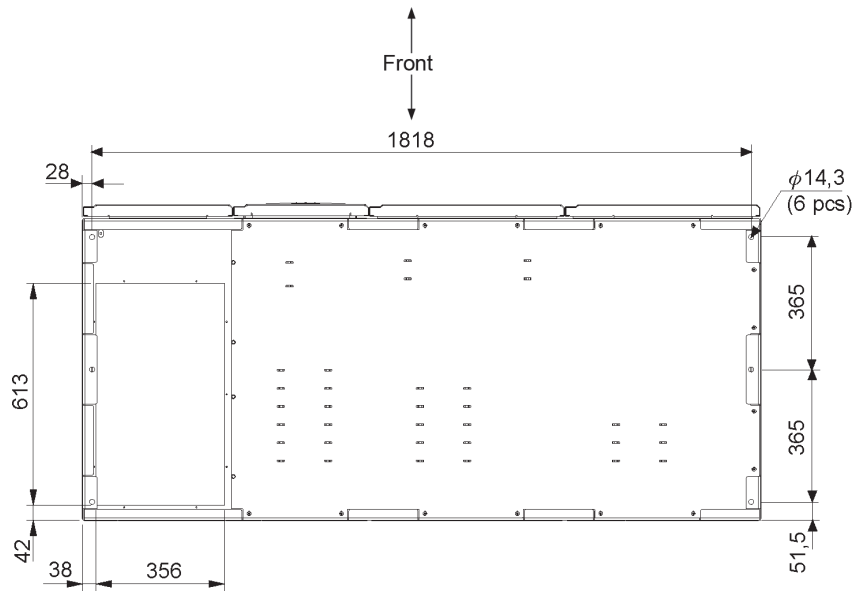
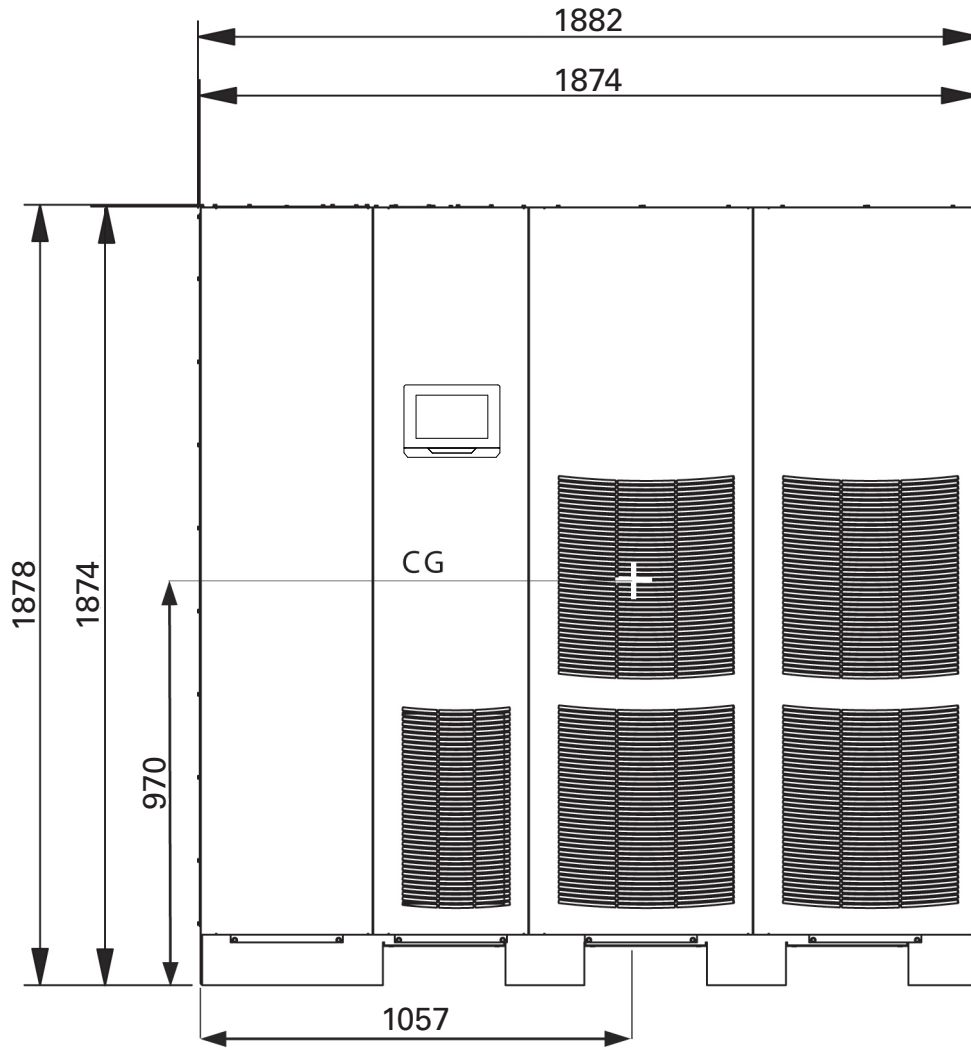


Figure 3-4. UPS cabinet dimensions (bottom view)



UPS cabinet center of gravity

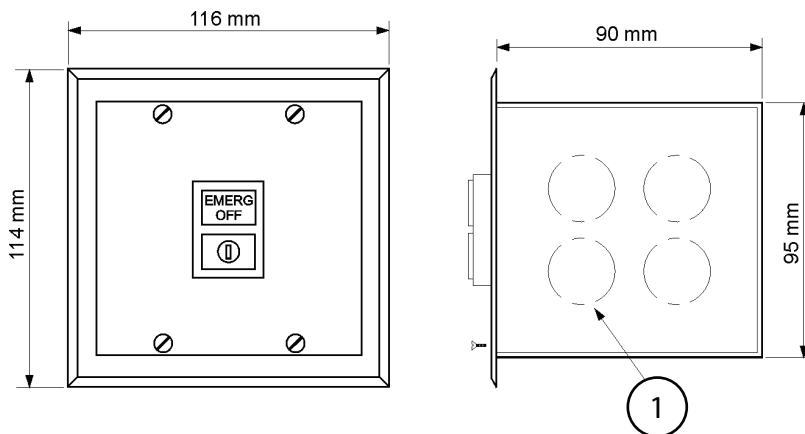


Figure 3-5. Remote EPO switch dimensions

1	1/2 in knockout pattern typ. 5 sides
---	--------------------------------------

3.2.2 UPS system power wiring preparation



NOTE

If installing, as part of the UPS system, a maintenance bypass without a rectifier input breaker, a minimum of two separate feeds with upstream feeder breakers, or one feed with two upstream feeder breakers, must be provided: one for the UPS and one for the maintenance bypass input. **DO NOT** use one feed or a single feeder breaker to supply both the UPS and the maintenance bypass.

For external wiring requirements, including the minimum size of external wiring, see Table 3-4 and Table 3-5. The power wiring connections for this equipment are rated at 70°C. If wire is run in an ambient temperature greater than 30°C, higher temperature wire and/or larger size wire may be necessary.



NOTE

Callout letters A, B, C, and D map to the figures in Figure 6-3 on page 73. Callout letters A, B, C, and D map to Figure 6-6 on page 73.

Bypass wiring data is not applicable to Input Output Module (IOM configurations).

Rating [kVA] [kW]	Rating 50/60 Hz		
	500	600	600
Input and output voltage	400/400	400/400	400/400
AC input to UPS rectifier Full load current with maximum voltage tolerance, with full recharge current [Amps] (3) phases, (1) ground	A 894	983	1013
AC input to UPS bypass Full load current [Amps at nominal voltage] (3) phases, (1) neutral—if required, (1) ground	B 722	866	866
DC input from battery to UPS [Amps at 2.0V/cell] (1) positive, (1) negative	C 1109	1220	1331
AC output to critical load full load current [Amps] (3) phases, (1) neutral—if required, (1) ground	D 722	866	866

Table 3-4: Input/output rating for 9395P 500 kVA - 600 kVA

Basic UPM rating	Units	Rating 50/60 Hz	
	kVA	250	300
	kW	250	250
Input voltage	Volts	400/400	400/400
AC input to each UPM rectifier (PF 0.99 min) Full load current plus battery recharge current (3) phases, (1) ground	Amps	447	492

Table 3-5: Separate rectifier input UPM ratings and external wiring requirements for the 9395P 500 kVA - 600 kVA

Read and understand the following notes while planning and performing the installation:

- Refer to national and local electrical codes for acceptable external wiring practices.
- Material and labor for external wiring requirements are to be provided by designated personnel.
- The bypass feed into this equipment uses three or four wires. The rectifier feed into this equipment uses three wires. The phases must be symmetrical about ground (from a Wye source for proper equipment operation).
- On a UPS configured for separate rectifier inputs, all sources that feed the separate rectifier inputs must be derived from a common ground point.
- If the load requires a neutral, a bypass source neutral must be provided. If the load does not require a neutral and there is no neutral conductor connected at the bypass input, The UPS must be factory configured for 3-wire input/output operation (UPS type designator contains "-3W")
- This UPS system can be installed to the TN, TT or IT power distribution systems.



NOTE

Additional warning labels, shown in Figure 3-6, shall be installed at the UPS input terminals and all primary power isolators used to isolate the UPS unit if:

- the UPS system is installed to an IT power distribution system
- or the UPS input is connected through external isolators that, when opened, isolate the neutral connection.
- These warning labels can be obtained from your local service representative.

The UPS cabinet is shipped with a debris shield covering the ventilation grill on top of the unit. Do not remove the debris shield until installation is complete. However, remove the shield before operating the UPS. Once the debris shield is removed, do not place objects on the ventilation grill.

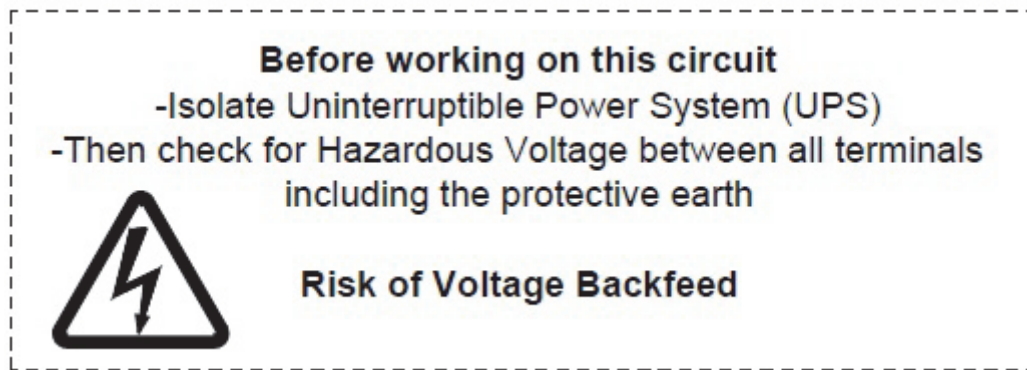


Figure 3-6. Warning label

Terminals E1 through E12 are 2-hole bus bar mountings. See Table 3-6 for power cable terminations and Table 3-7 for recommended installation parts not supplied by Eaton Corporation. Figure 4-5 on page 45 through Figure on page 49

Terminal function	Terminal	Function	Bus landing	Tightening torque	Bolt
AC input to UPS rectifier	E1	Phase L1	4-2 bolt mount-	80	M12
	E2	Phase L2	4-2 bolt mount-	80	M12
	E3	Phase L3	4-2 bolt mount-	80	M12
AC input to bypass	E6	Phase L1	4-2 bolt mount-	80	M12
	E7	Phase L2	4-2 bolt mount-	80	M12
	E8	Phase L3	4-2 bolt mount-	80	M12
AC output to critical load	E9	Phase L1	4-2 bolt mount-	80	M12
	E10	Phase L2	4-2 bolt mount-	80	M12
	E11	Phase L3	4-2 bolt mount-	80	M12
DC input from battery to UPS	E4	Battery	4-2 bolt mount-	80	M12
	E5	Battery (-)	4-2 bolt mount-	80	M12
Input and output neu-	E12	Neutral	8-2 bolt mount-	47	M10
Customer ground	Ground	Ground	7-1 bolt mount-	47	M10

Table 3-6: UPS cabinet power cable terminations for the 9395P 500 - 600 kVA



NOTE

Bypass terminations are not applicable to IOM configurations.

Part	Size	Quantity	Manufacturer	Part number	Notes
Bolt	M12 x 50	As required	N/A	N/A	Quantity per lug hole
Bolt	M10 x 50	As required	N/A	N/A	
Flat washer	M12	As required	N/A	N/A	
Lock washer	M12	As required	N/A	N/A	
Nut	M12	As required	N/A	N/A	
Flat washer	M10	As required	N/A	N/A	Quantity per lug hole
Lock washer	M10	As required	N/A	N/A	

Table 3-7: Recommended installation parts (not supplied by Eaton Corporation).

External overcurrent protection is not provided by this product, but is required by codes. Refer to Table 3-4 and Table 3-5 on page 29 for wiring requirements. If an output lockable disconnect is required, it is to be supplied by the user.

UPS model	Input rating	
	Load rating	400 V
9395P 500 kVA / 500 kW	100%	1000 A
9395P 600 kVA / 550 kW	100%	1000 A
9395P 600 kVA / 600 kW	100%	1000 A

Table 3-8: Recommended input circuit breaker ratings



CAUTION

To reduce the risk of fire, connect only to a circuit provided with maximum input circuit breaker current ratings from Table 3-8 in accordance with the national and local installation rules.

The line-to-line unbalanced output capability of the UPS is limited only by the full load per phase current values for AC output to critical load shown in Table 3-4 on page 28. The recommended line-to-line load unbalance is 50% or less.

Bypass and output overcurrent protection and bypass and output disconnect switches are to be provided by the user. Table 3-9 lists the recommended rating for bypass and output circuit breakers satisfying the criteria for both. Bypass breakers are not required for IOM configurations.

UPS model	Circuit breaker rating		
	Load rating	400 V	
		Bypass/MOB	Output branch fuse
9395P 500 kVA / 500	100% rated	800 A	160 A (gG type)
9395P 600 kVA / 550	100% rated	1000 A	160 A (gG type)
9395P 600 kVA / 600	100% rated	1000 A	160 A (gG type)

Table 3-9: Recommended bypass and output circuit breaker ratings

There is no DC disconnect device within the UPS. A battery disconnect switch is recommended, and may be required by local codes when batteries are remotely located. The battery disconnect switch should be installed between the battery and the UPS.

External DC input overcurrent protection and disconnect switch for the remote battery location is to be provided by the user. Table 3-10 lists the maximum rating for continuous-duty rated circuit breakers satisfying the criteria for both.

UPS model	Input rating
	400 V
9395P 500 kVA / 500 kW	1600 A
9395P 600 kVA / 550 kW	1600 A
9395P 600 kVA / 600 kW	1600 A

Table 3-10: Recommended DC input circuit breaker ratings

Rated battery current is computed at 2 volts per cell. The battery wiring used between the battery and the UPS should not allow a voltage drop of more than 1% of nominal DC voltage at rated battery current.

3.2.3 UPS system interface wiring preparation

Control wiring for features and options should be connected at the customer interface terminal blocks located inside the UPS as described in page 64.



WARNING

Do not directly connect relay contacts to the mains related circuits. Reinforced insulation to the mains is required.

Read and understand the following notes while planning and performing the installation:

- Install the interface wiring (for example, building alarm, relay output, battery breaker trip, and X-Slot separate from the power wiring. The wiring should have double insulation and rated at $U_0/U = 300/500$ Volts.
- All interface wiring is to be provided by the customer.
- When installing internal interface wiring to X-Slot terminals, route the wiring through the internal opening in the X-Slot communication bay.
- All building alarm inputs or remote features require an isolated normally-open contact or switch (rated at 24 Vdc, 20 mA minimum connected between the alarm input and common terminal. All control wiring and relay and switch contacts are customer-supplied. Use twisted-pair wires for each alarm input and common.
- The building alarms can be programmed to display the alarm functional name.
- LAN and telephone drops for use with X-Slot cards must be provided by facility planners or the customer.
- The UPS Battery Aux and 48 Vdc Shunt Trip signal wiring from the UPS must be connected to the DC source disconnect device.
- Battery Aux and 48 Vdc Shunt Trip wiring should be a minimum of 1.5 mm².
- The Remote EPO feature opens all contactors in the UPS cabinet and isolates power from your critical load. Local electrical codes may also require tripping upstream protective devices to the UPS.
- The Remote EPO switch must be a dedicated switch not tied to any other circuits.
- A jumper wire must be connected between pins 1 and 2 on TB1, if the normally-closed Remote EPO contact is not used.
- Remote EPO wiring should be a minimum of 0.75 mm² and a maximum of 2.5 mm².
- The maximum distance between the Remote EPO and the UPS cannot exceed 150 meters.
- Alarm relay contacts have a maximum current rating of 5A and a switched voltage rating of 30 Vac and 28 Vdc.
- Alarm relay wiring should be a minimum of 0.75 mm².

3.2.4 Distributed bypass power wiring preparation

Read and understand the following notes while planning and performing the installation:

- All distributed bypass UPS rectifier inputs must come from one source and all bypass input feeds must come from one source.
- Distributed bypass UPS input wiring size requirements and output wiring size requirements from the UPSs to the tie cabinet or distribution panel are the same as listed in Table 3-4 on page 28.
- The UPS can be installed in a high-resistance ground application only if the UPS is factory configured for 3-wire input/output operation (UPS type designator contains “-3W”)
- MOBs with dual auxiliary contacts are to be provided by the customer. Table 3-4 on page 28 lists the recommended rating for the MOBs.

The tie cabinet must contain Module Output Breakers (MOBs with dual auxiliary contacts for control of the system. Without dual auxiliary MOBs, UPSs are not allowed to go to bypass individually during servicing. All UPSs will go to bypass instead of the just the UPS needing service, decreasing critical load protection. With dual auxiliary MOBs, one UPS can be bypassed while the remaining UPSs support the load as long as the remaining UPMS have the capacity to do so.

3.3 Inspecting and unpacking the UPS cabinet

The UPS cabinet is palletted separately for shipping. The cabinet is shipped bolted to a wooden pallet and protected with outer protective packaging material (see Figure 3-7.)



WARNING

The UPS cabinet is heavy (see Table 3-1 on page 23). If unpacking instructions are not closely followed, the cabinet may tip and cause serious injury and equipment damage.

Do not install a damaged cabinet. Report any damage to the carrier and contact your service representative immediately.

1. Carefully inspect the outer packaging for evidence of damage during transit.
-



NOTE

For the following step, verify that the forklift or pallet jack is rated to handle the weight of the cabinet (see Table 3-1 on page 23 for cabinet weight.)

2. Use a forklift or pallet jack to move the packaged cabinet to the installation site, or as close as possible, before unpacking. Insert the forklift or pallet jack forks from the right side of the cabinet, between the supports on the bottom of the pallet. See Figure 3-7 on page 36 for the location of the UPS center of gravity.
-



WARNING

Do not tilt the UPS cabinet more than 10° from vertical or the cabinet may tip over.

3. Set the pallet on a firm, level surface, allowing a minimum clearance of 3 m on each side for removing the cabinet from the pallet.
-



NOTE

The UPS cabinet is shipped with a debris shield covering the ventilation grill on top of the unit. Do not remove the debris shield until installation is complete.

4. Remove the protective covering from the cabinet.
5. Remove the packing material, and discard or recycle in a responsible manner.
6. After removing the protective covering, inspect the contents for any evidence of physical damage, and compare each item with the Bill of Lading. If damage has occurred or shortages are evident, contact your service representative immediately to determine the extent of the damage and its impact upon further installation.



NOTE

While waiting for installation, protect the unpacked cabinet from moisture, dust, and other harmful contaminants. Failure to store and protect the UPS properly may void your warranty.

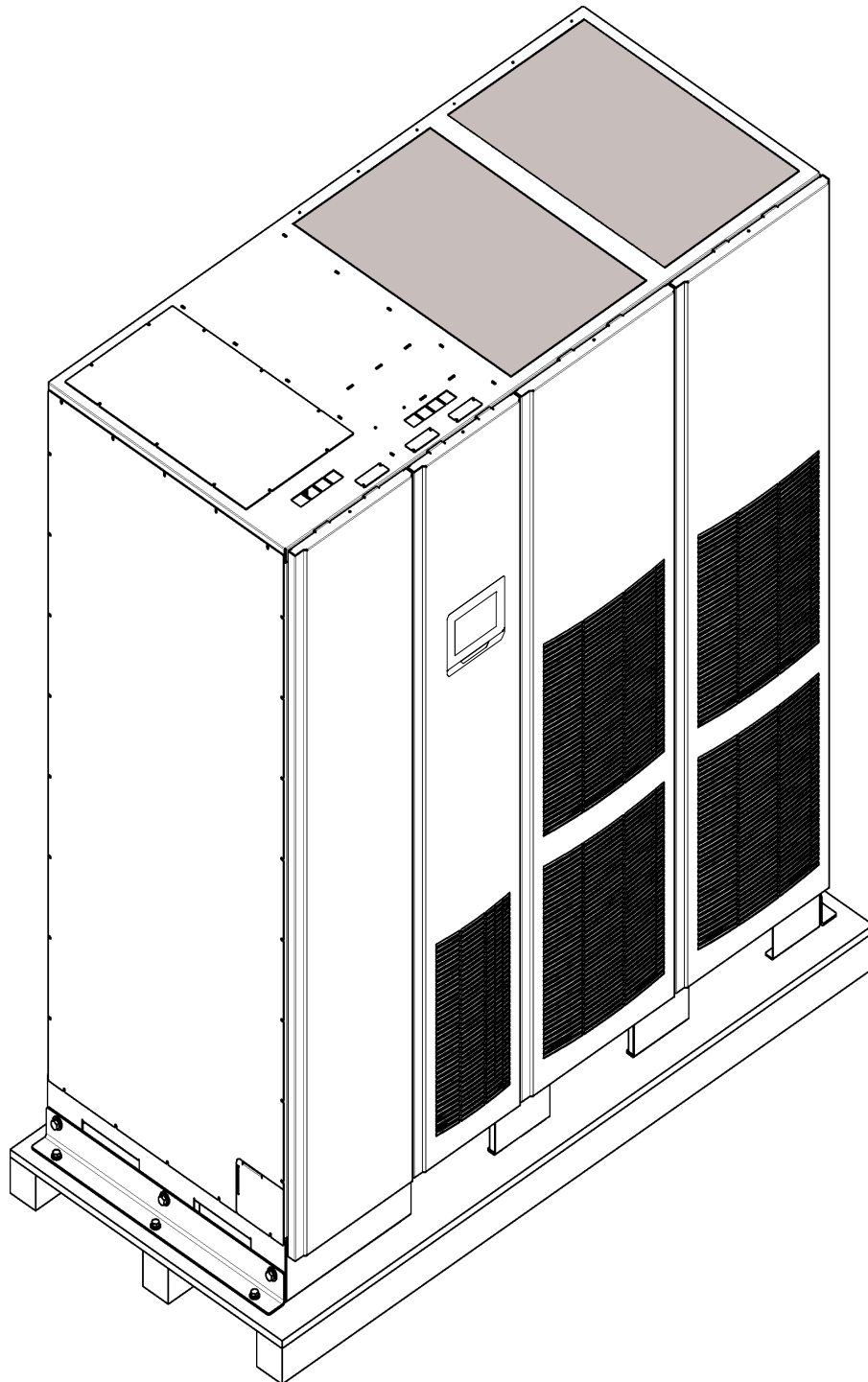


Figure 3-7. Eaton 9395P 500 kVA - 600 kVA cabinet as shipped on pallet

4 UPS system installation

4.1 Preliminary installation information



WARNING

Installation should be performed only by qualified personnel.

Refer to the following while installing the UPS system:

- Chapter 1: “UPS installation plan and unpacking” for cabinet dimensions, equipment weight, wiring and terminal data, and installation notes.
- Do not tilt the cabinet more than $\pm 10^\circ$ during installation.
- The landing plates can be removed to add cable entry holes as required. Plate material is 16 gauge steel (1.5 mm/0.06” thick).
- If perforated floor tiles are required for ventilation, place them in front of the UPS.

4.2 Unloading the UPS cabinet from the pallet and mechanical installation

The UPS cabinet is bolted to a wooden pallet supported by wood skids. To remove the pallet and mechanically install the UPS, perform the following procedure:



WARNING

The UPS cabinet is heavy. See Table 3-1 on page 23 for weight of cabinets. If unloading instructions are not closely followed, the cabinet may cause serious injury and equipment damage.

Do not tilt cabinets more than 10° from vertical.

Lift the cabinet only with a forklift or damage may occur.



CAUTION

To prevent damage to the wiring channel and wiring in the UPM section base when lifting or moving the cabinet:

- Lift and move the UPS cabinet using only the front or rear fork lift slots.
- Verify that the fork lift forks are in a horizontal position before inserting them into the fork lift slots. DO NOT angle fork slots upward.
- Insert the forks all the way through the base. DO NOT insert forks partially into the base to move the cabinet.
- Fork may be partially inserted into the front or rear fork lift slots for minor positioning if the forks are kept in a horizontal position with no upward angling.

- DO NOT use the forklift slots on the end of the cabinet to move the cabinet.
-

If these instructions are not followed, damage to the wiring channel and wiring will occur.



NOTE

For the following steps, verify that the forklift or pallet jack is rated to handle the weight of the cabinet (see Table 3-1 on page 23 for cabinet weight).

1. If not already accomplished, use a forklift or pallet jack to move the cabinet to the installation area, or as close as possible, before unloading from the pallet. Insert the forklift or pallet jack forks from the right side of the cabinet, between the supports on the bottom of the pallet (see Figure 3-13 on page 32 for the location of the UPS cabinet center of gravity).
2. Remove the three bolts securing the left side shipping bracket to the cabinet and three bolts securing the bracket to the pallet (see Figure 4-1). Remove the left shipping bracket. If permanently mounting the cabinet, retain the shipping bracket and securing hardware for later use.
3. Remove the three bolts securing the right side shipping bracket to the cabinet and three bolts securing the bracket to the pallet (see Figure 4-2). Remove the right shipping bracket. If permanently mounting the cabinet, retain the shipping bracket and securing hardware for later use.
4. Using the forklift, raise the UPS cabinet section until the cabinet bottom clears the pallet by approximately 3 mm.
5. Once the UPS cabinet is clear of the pallet, pull the pallet from under the UPS cabinet. Discard or recycle the pallet in a responsible manner.
6. Using the forklift, move the UPS cabinet to the final installation location.
7. Carefully lower the UPS cabinet until the cabinet base contacts the floor.
8. If permanently mounting the system, proceed to the next step; otherwise, continue to Step 11.
9. Using the retained hardware, reinstall the shipping brackets removed in Steps 2 and 3 to the left and right side of the UPS cabinet with the angle facing outward (see Figure 4-1 and Figure 4-2).
10. Secure the cabinet to the floor with customer-supplied hardware.
11. If installing a field-installed UPM (FI-UPM, proceed to Section 4.3; otherwise, proceed to Step 12.
12. If installing a battery system, proceed to Section 4.6; otherwise, proceed to Step 13.
13. If installing a tie cabinet or distribution panel for a distributed bypass system, proceed to Section 5.2; otherwise, proceed to Section 4.7.

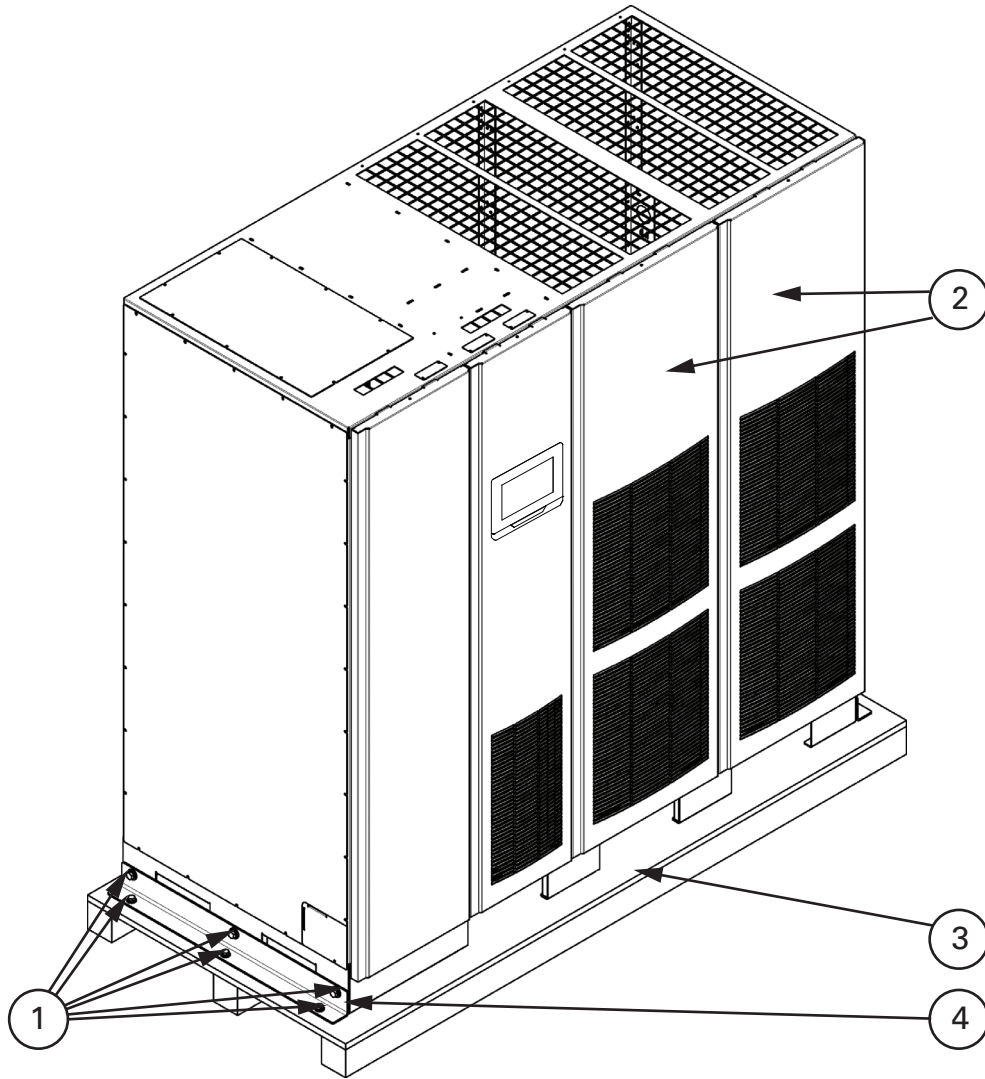


Figure 4-1. Removing left side shipping bracket, ISBM and FI-UPM

1	Shipping bracket bolts
2	Removable right front panel
3	Pallet
4	Left side shipping bracket

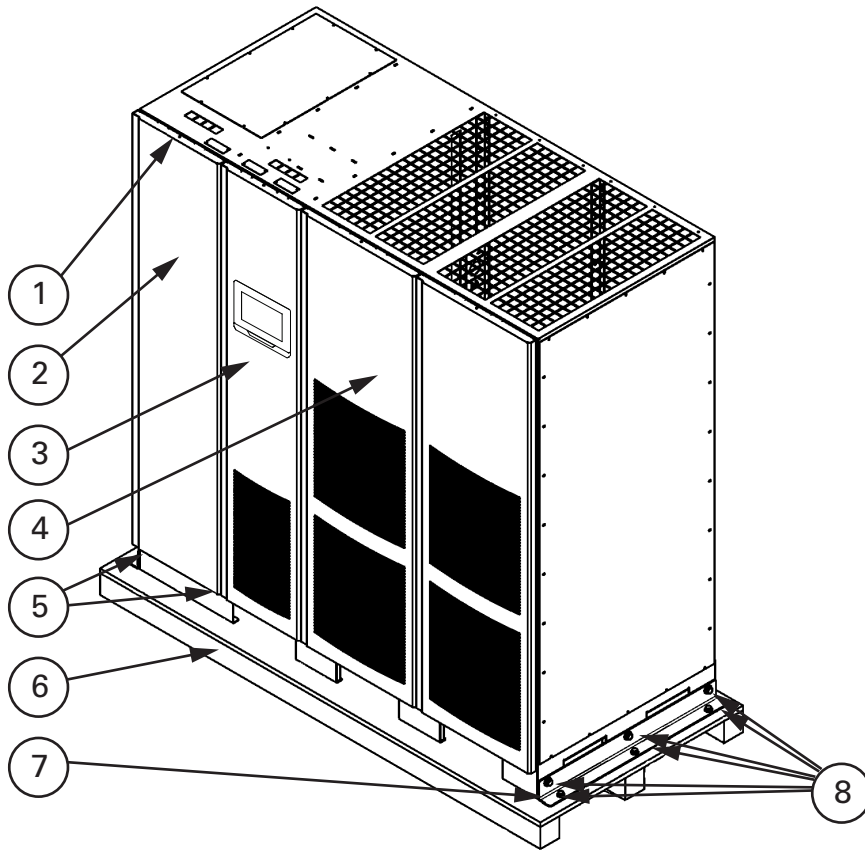


Figure 4-2. Removing right side shipping bracket, ISBM and FI-UPM

Figure 4-3. Removing the UPM section right side shipping bracket, UPM

1	Top screw
2	Removable left front panel
3	Front door
4	Bottom screws
5	Pallet
6	Right side shipping bracket
7	Shipping bracket bolts

4.3 Field installed UPM (FI-UPM installation)

If installing a system with Field Upgrade UPM, install the FI-UPM using the instructions in the Eaton 9395P Field Installed UPM Mechanical Installation Manual, listed in section Appendix 1: "Getting help". After the FI-UPM is installed, proceed to Section 4.4 if installing a battery system; otherwise, proceed to Section 4.5.

4.4 Battery cabinet installation

To install the battery cabinet, refer to the Eaton 9395P Integrated Battery Cabinet (Model IBC-L installation manual. If installing a customer-supplied battery system, install the battery system according to the battery and battery system manufacturer's instructions and all applicable codes and regulations.

After the battery system is installed, proceed to Section 4.5 if installing a distributed bypass tie cabinet; otherwise, proceed to Section 4.6 to complete the wiring of the UPS and battery cabinet.

4.5 Distributed bypass tie cabinet installation



NOTE

The tie cabinet must contain Module Output Breakers (MOBs with dual auxiliary contacts for control of the system. Without dual auxiliary MOBs, UPSs are not allowed to go to bypass individually during servicing. All UPSs will go to bypass instead of just the UPS needing service, decreasing critical load protection. With dual auxiliary MOBs, one UPS can be bypassed while the remaining UPSs support the load as long as the remaining UPMs have the capacity to do so.

If installing a distributed bypass system, install the customer-supplied tie cabinet or distribution panel according to the tie cabinet or distribution panel manufacturer's instructions and all applicable codes and regulations. After the tie cabinet is installed, proceed to Section 4.6 to complete the wiring of the UPS.

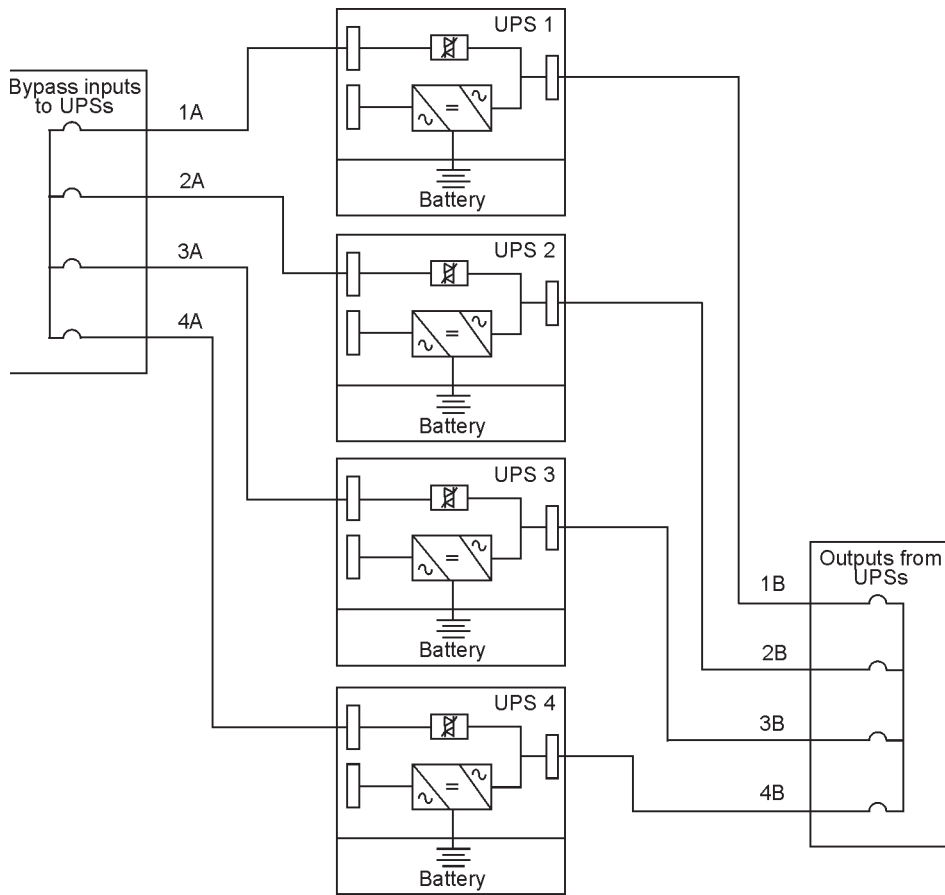


Figure 4-4. Distributed bypass wire length



NOTE

Required parallel system wiring length must be equal to ensure approximately equal current sharing when in Bypass mode. For proper operation the following must be true:

$$1A = 2A = 3A = 4A$$

$$1B = 2B = 3B = 4B$$

In order to save cabling costs, the following is also considered to be sufficient:

$$1A+1B=2A+2B=3A+3B=4A+4B$$

Any difference in wire length will result in decreased capacity of the UPS system while on bypass. For example, a 10% difference between the longest and shortest wire lengths will result in a decrease in bypass capacity of 10%. This may disable transfer to inverter.

4.6 Installing UPS external and battery power wiring



NOTE

The UPS cabinet is shipped with a debris shield covering the ventilation grill on top of the unit. Do not remove the debris shield until installation is complete. However, remove the shield before operating the UPS. Once the debris shield is removed, do not place objects on the ventilation grill.

Remove the UPS cabinet top or bottom conduit landing plate to drill or punch conduit holes (see Figure 4-5).

If the load requires a neutral, a bypass source neutral must be provided. If the load does not require a neutral and there is no neutral conductor connected at the bypass input, the UPS must be factory configured for 3-wire input/output operation (UPS type designator contains "-3W")

Use the procedures in the following sections to connect the external and battery power wiring.

4.6.1 External power wiring installation

To install wiring to connections:

1. Remove one top screw and two bottom screws securing the UPS left front panel (see Figure 4-5 on page 45). Lift the panel straight up to remove from the panel hanger bracket at the top of the cabinet.
2. Route the input and output cables through either the top or bottom of the cabinet to the UPS terminals. See Figure 4-5 through Figure 4-6 for wiring access information and common rectifier feed terminal locations or Figure 4-7 for separate rectifier feed terminal locations.
3. Connect phase L1, L2, and L3 (E1, E2, E3, rectifier input power wiring from the utility source to the rectifier input terminals in the UPS cabinet. See Section 3.2.2 on page 28 for wiring and termination requirements.
4. Connect phase L1, L2, and L3 (E6, E7, E8, and Neutral (if required bypass input power wiring from the utility source to the bypass input terminals and neutral terminals in the UPS cabinet. See Section 3.2.2 on page 28 for wiring and termination requirements.
5. Connect phase L1, L2, and L3 (E9, E10, E11, and Neutral (if required power wiring from output terminals and neutral terminals to the critical load. See Section 3.2.2 on page 28 for wiring and termination requirements.
6. Proceed to Section 4.6.2.

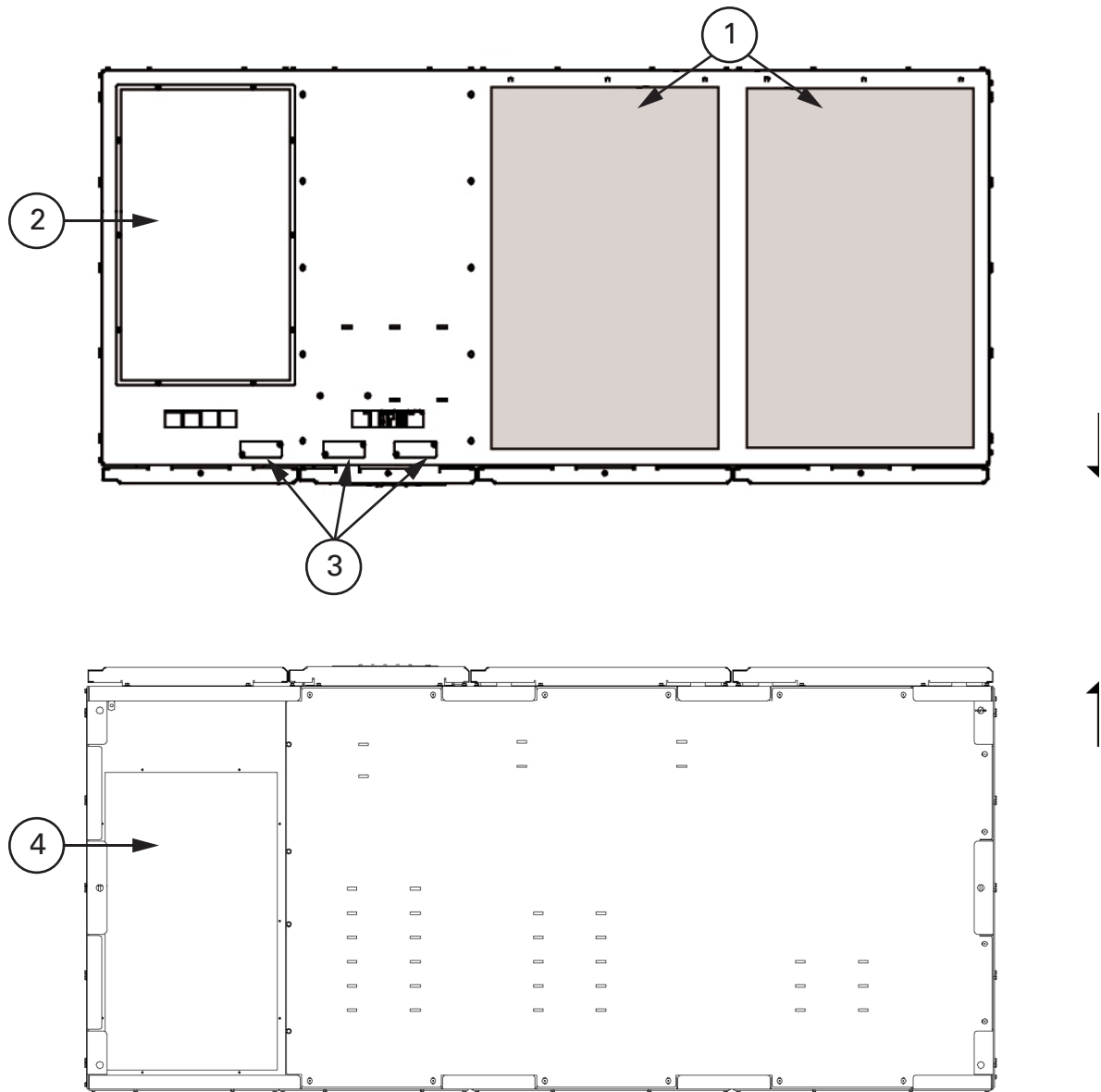


Figure 4-5. Conduit and wire entry locations

1	Exhaust grill debris shield (Remove covering before operating system).
2	Top entry conduit landing for AC input and output, and DC input (Remove panel to drill or punch cable entry holes).
3	Interface entry for TB1 through TB3 wiring and X-Slot connections (Remove panels to drill or punch cable entry holes).
4	Bottom entry conduit landing for AC input and output, and DC input (remove panel to drill or punch cable entry holes).

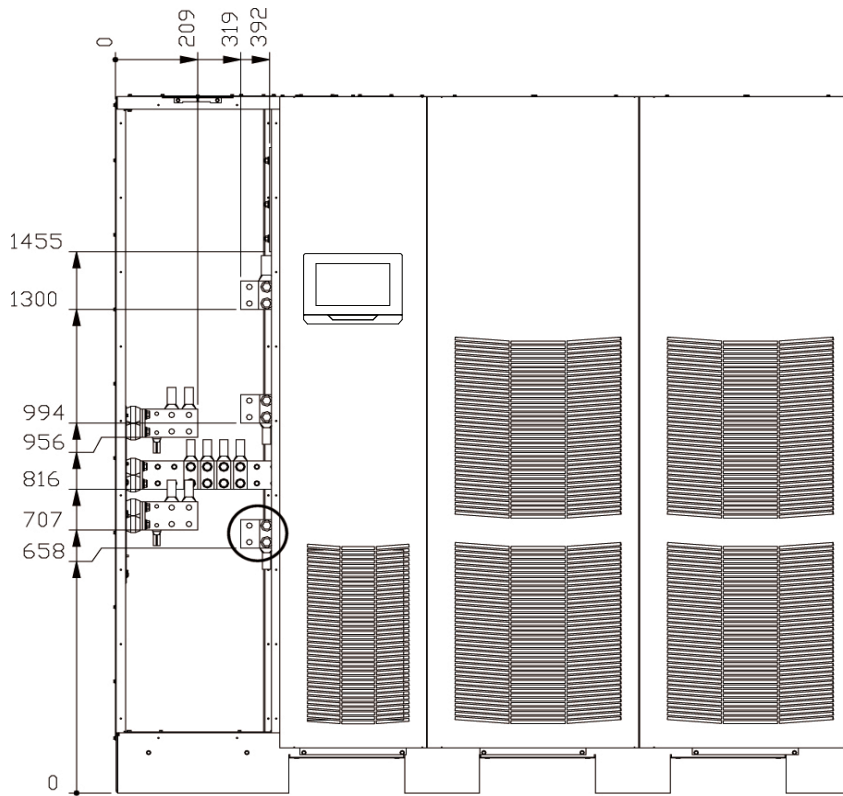
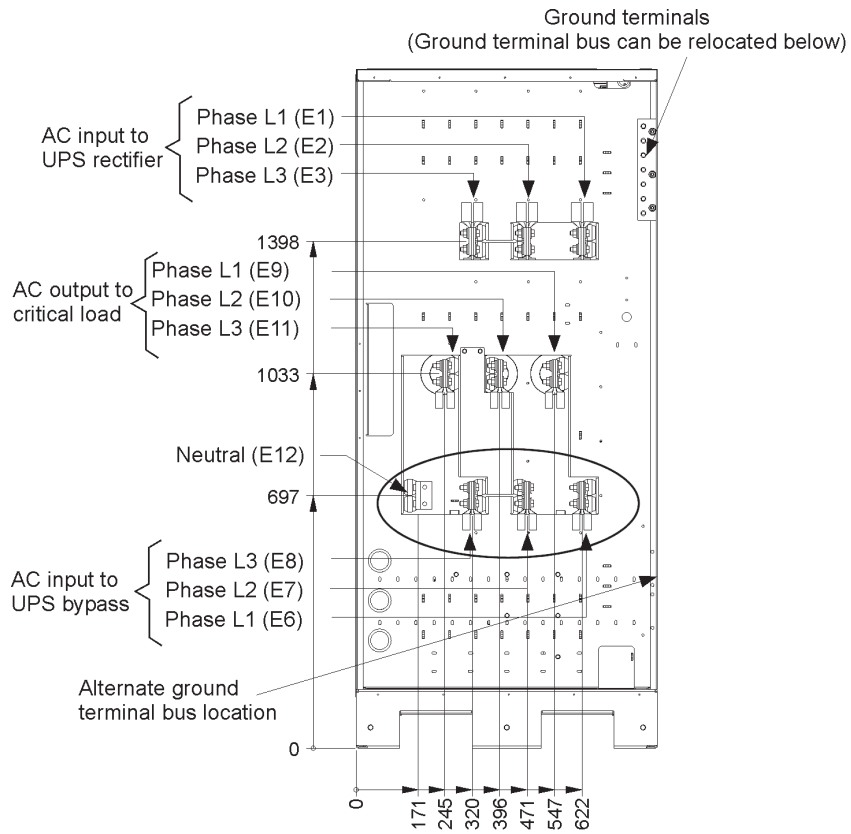


Figure 4-6. UPS power terminal locations - part a The terminals in the circle are not included in IOM units.



The terminals in the circle are not included in IOM units.



NOTE

UPS power terminal locations - part bA unit with separate rectifier feeds has two sets of rectifier AC input connections.

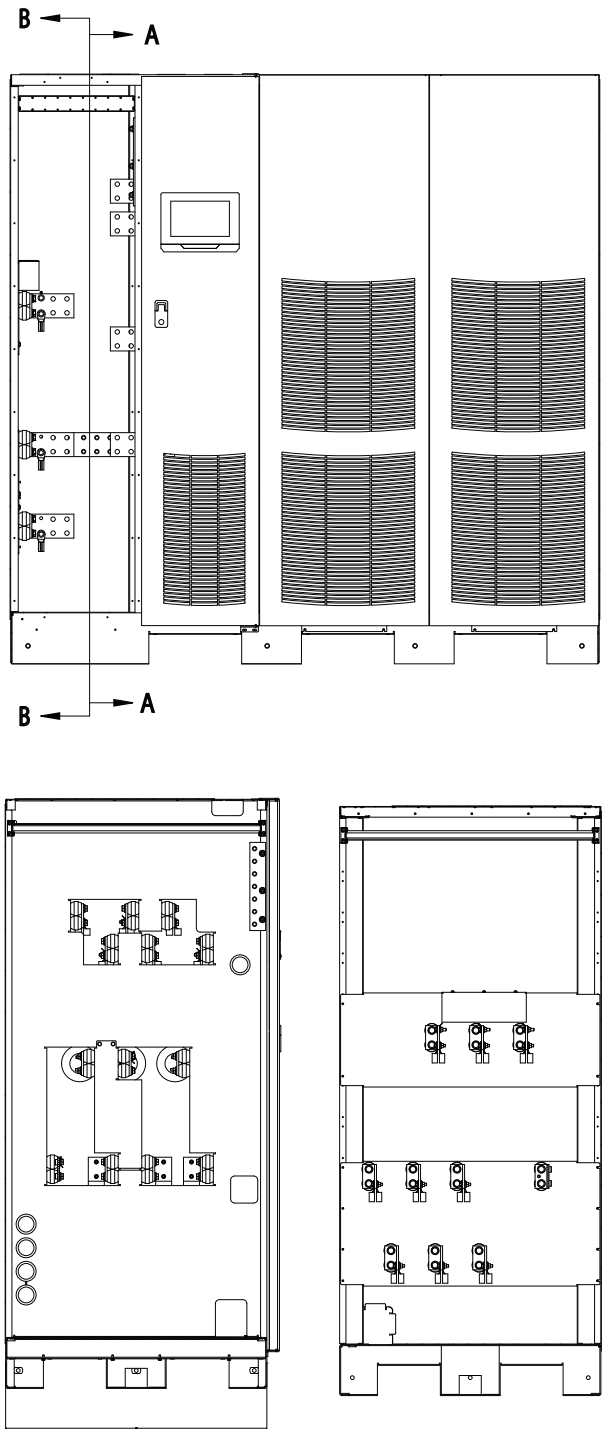
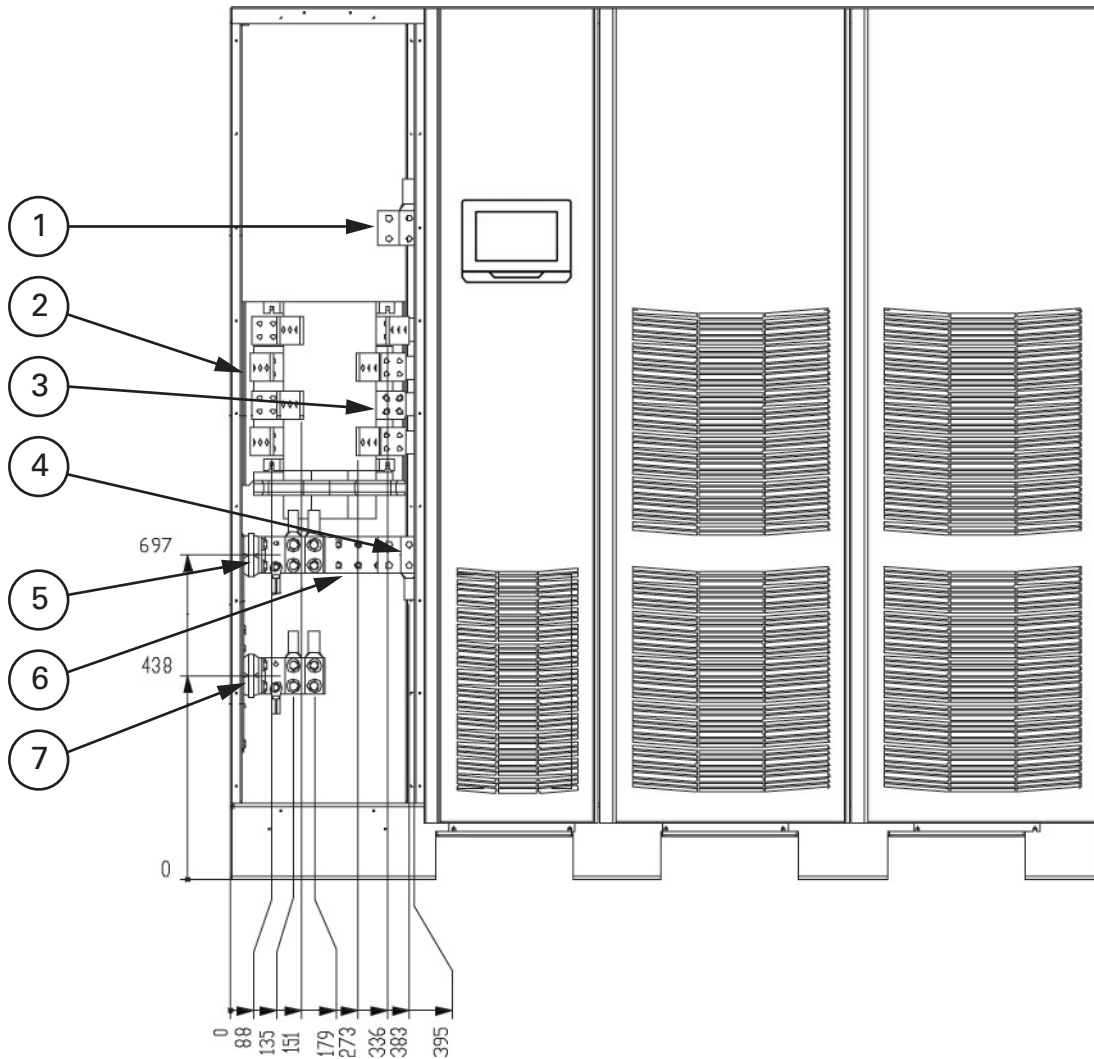


Figure 4-7. UPS power terminal locations - separate rectifier feed



Front view

1	Rectifier input
2	Load output
3	Not in use
4	By-pass input
5	Battery +
6	Neutral
7	Battery

4.6.2 Battery wiring



CAUTION

When sizing the battery system, do not exceed the internal battery charger capabilities. See Chapter 6: "Product specifications" for maximum battery charger current.

To install wiring to connections:

1. If using an Eaton battery cabinet, proceed to Step 2; otherwise, proceed to Step 5.
2. Route and connect the battery cables between the UPS and the battery cabinets in accordance with the instructions in the Eaton 9395P Integrated Battery Cabinet (Model IBC-L installation manual. See Figure 4-5 through Figure 4-6 for wiring access information and terminal locations.
3. Connect the positive, negative, and ground DC power wiring from the battery cabinet to the UPS cabinet battery and ground terminals. See Section 3.2.2 on page 28 for wiring and termination requirements.
4. Proceed to Step 7.
5. Route and connect the battery cables between the UPS and the battery system. See Figure 4-5 through Figure 4-7 for wiring access information and terminal locations.
6. Connect the positive, negative, and ground DC power wiring from the battery system to the UPS cabinet battery and ground terminals. See Section 3.2.2 on page 28 for wiring and termination requirements.
7. After wiring the UPS system to the facility power and critical load, be sure to ground the system according to local and/or national electrical wiring codes.
8. If wiring interface connections, proceed to Section 4.7; otherwise, proceed to Step 9.
9. When all wiring is complete, reinstall the left front panel removed in Section 4.6.1 and secure with the retained hardware.

4.7 Installing interface connections



WARNING

Hazardous voltages are present near the user interface terminal area if the UPS is not totally disconnected.

4.7.1 TB1, TB2, and TB3 connections (other than TB1 battery interface connections)



NOTE

Interface wiring must be installed from the top of the UPS cabinet.

To install wiring to connections:

1. Verify the UPS system is turned off and all power sources are disconnected. See Chapter 4: “UPS operating instructions” for shutdown instructions.
 2. If not already accomplished, remove one top screw and two bottom screws securing the UPS left front panel (see Figure 4-2 on page 41). Lift the panel straight up to remove it from the panel hanger bracket at the top of the cabinet.
 3. Remove one top screw and two bottom screws securing the UPS center front panel. Lift the panel straight up to remove from the panel hanger bracket at the top of the cabinet.
 4. Terminal block TB3 is accessible on the left side of the X-Slot communication bay. To gain access to terminal blocks TB1 and TB2 and the interface entry plates, loosen the screws securing the protective cover panel and remove the panel. This panel is to the right of the X-Slot Communication Bay (see Figure 4-9 on page 53).
 5. Remove the UPS cabinet top interface entry plates to drill or punch holes (see Figure 4-5 on page 45).
 6. Reinstall the entry plates.
-



WARNING

Do not directly connect relay contacts to the mains related circuits. Reinforced insulation to the mains is required.

7. To locate the appropriate terminals and review the wiring and termination requirements, see Section 3.2.3 on page 33, Table 4-1 on page 57, and Figure 4-8 through Figure 4-10.
8. Route and connect the wiring.
9. If wiring TB1 battery interface connections, proceed to Section 4.7.2; if wiring the X-Slot connections only, proceed to Section 4.7.3; otherwise, proceed to Step 10.
10. When all wiring is complete, reinstall the protective cover panel and secure with the cabinet mounted screws.
11. Reinstall the left and center front panels removed in the previous steps and secure with the retained hardware.

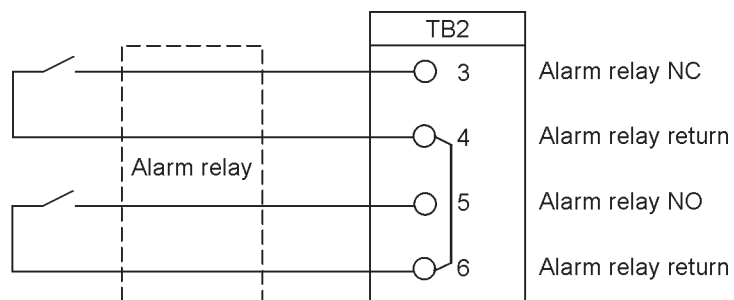


Figure 4-8. Typical alarm relay connection



NOTE

Alarm relay contacts have a maximum current rating of 5A and a switched voltage rating of 30 Vac and 28 Vdc.

Alarm relay normally-open and normally-closed return terminals are separated on the terminal board, but are connected together.

Do not directly connect relay contacts to the mains related circuits. Reinforced insulation to the mains is required.

Alarm relay wiring should be a minimum of 75 mm².

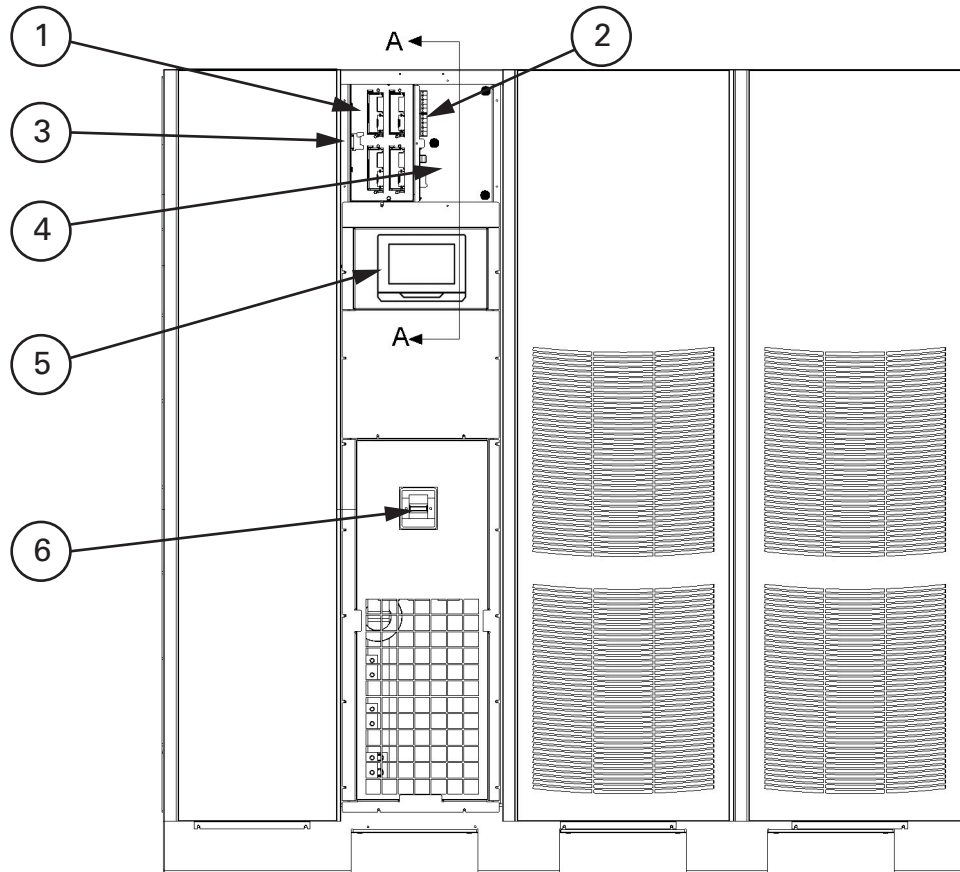
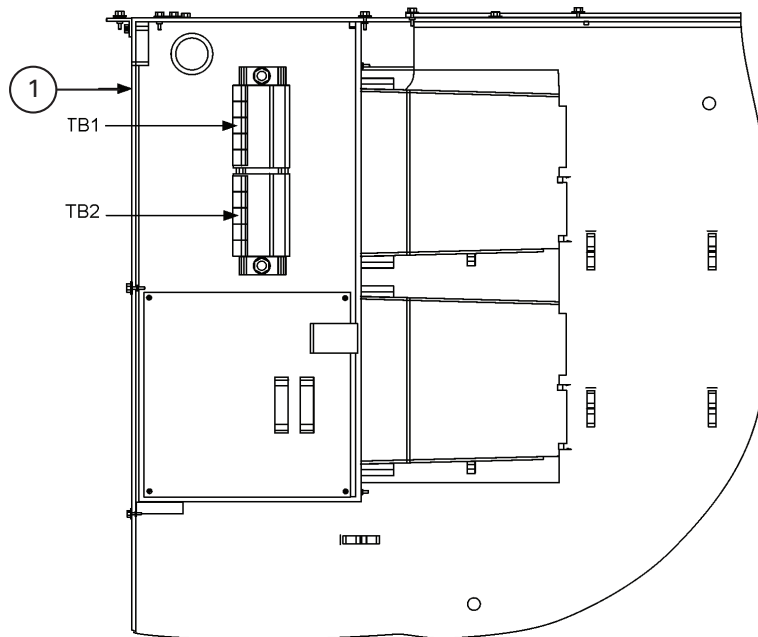


Figure 4-9. Interface terminal locations

1	X-slot communication bays
2	TB1 and TB2
3	TB3
4	Protective cover panels
5	Control panel
6	AC input breaker CB1

For TB1, TB2 and TB3 connector assignments, see Figure 4-10 and for detail AA, see Figure . The X-Slot communication bays are illustrated in Figure 4-12.



NOTE

Interface terminal detail AA

1	X-Slot communication bays
---	---------------------------

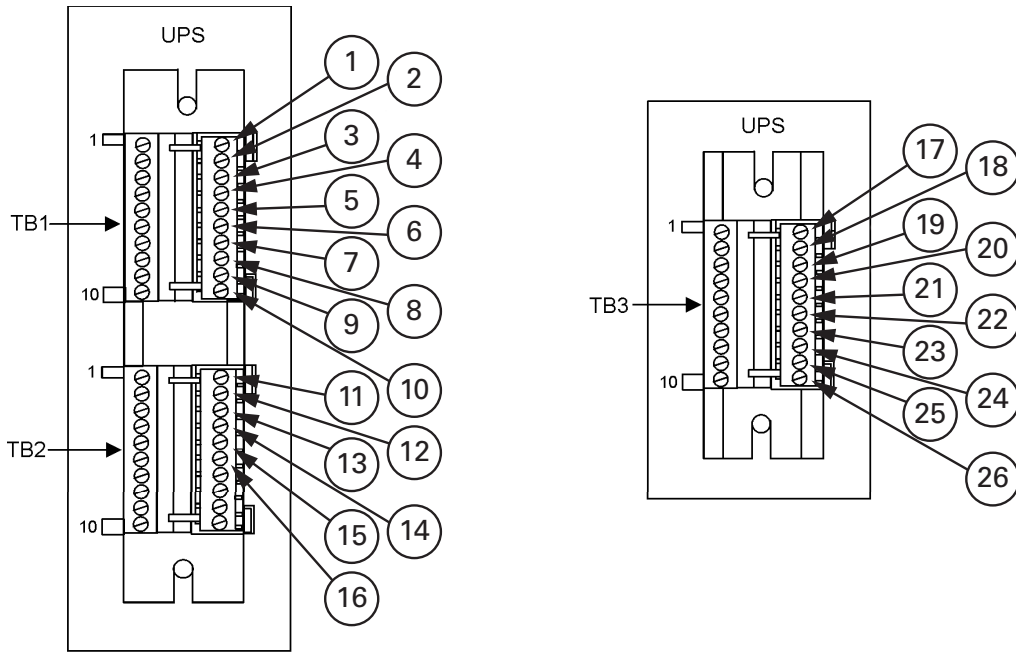


Figure 4-10. Terminal blocks TB1, TB2, and TB3 connector assignments

1	Remote EPO NC	14	Alarm relay return
2	Remote EPO return	15	Alarm relay NO
3	Remote EPO NO	16	Alarm relay return
4	Remote EPO return	17	Building alarm 1
5	Battery aux	18	Building alarm 1 return
6	Battery aux return	19	Building alarm 2
7	Battery shunt trip +	20	Building alarm 2 return
8	Battery shunt trip -	21	Building alarm 3
9	K3 AUX	22	Building alarm 3 return
10	K3 AUX return	23	Building alarm 4
11	Pull chain	24	Building alarm 4 return
12	Pull chain return	25	Building alarm 5
13	Alarm relay NC	26	Building alarm 5 return



NOTE

All building alarm inputs require an isolated normally-open or normally-closed contact or switch (rated at 24 Vdc, 20 mA minimum connected between the alarm input and common terminal as shown). Building alarm inputs can be programmed for use with either normally-open or normally-closed contacts. All control wiring and relay and switch contacts are customer-supplied.

The building alarms can be programmed to display the alarm functional name.

A jumper wire must be connected between pins 1 and 2 on TB1 if the normally-closed remote EPO contact is not used.

Terminal TB1	Name	Description
1	Remote EPO NC	Dry contact used to activate remote EPO of UPS.
2	Remote EPO return	
3	Remote EPO NO	
4	Remote EPO return	
5	Battery aux	
6	Battery aux return	
7	48 Vdc battery shunt trip	
8	48 Vdc battery shunt trip -	
9	K3 AUX	
10	K3 AUX return	
Terminal TB2	Name	Description
1	Pull chain	Backup control for parallel operation.
2	Pull chain return	
3	Alarm relay NC	General purpose normally-open (NO and normally-closed (NC) relay contacts.
4	Alarm relay return	
5	Alarm relay NO	
6	Alarm relay return	
7	Not used	
8	Not used	
9	Not used	
10	Not used	
Terminal TB3	Name	Description
1	Building alarm 1	Programmable UPS alarm. Activated by a remote dry contact closure.
2	Building alarm 1 return	
3	Building alarm 2	Programmable UPS alarm. Activated by a remote dry contact closure.
4	Building alarm 2 return	

5	Building alarm 3	Programmable UPS alarm. Activated by a remote dry contact closure.
6	Building alarm 3 return	
7	Building alarm 4	Programmable UPS alarm. Activated by a remote dry contact closure.
8	Building alarm 4 return	
9	Building alarm 5	Programmable UPS alarm. Activated by a remote dry contact closure.
10	Building alarm 5 return	

Table 4-1: TB1, TB2, and TB3 interface connections

4.7.2 TB1 battery interface connections

To install wiring to connections:

1. Verify the UPS system is turned off and all power sources are disconnected. See Chapter 4: "UPS operating instructions" for shutdown instructions.
2. If not already accomplished, remove one top screw and two bottom screws securing the UPS left front panel (see Figure 4-1 on page 40). Lift the panel straight up to remove from the panel hanger bracket at the top of the cabinet.
3. If not already accomplished, remove one top screw and two bottom screws securing the UPS center front panel. Lift the panel straight up to remove from the panel hanger bracket at the top of the cabinet.
4. To gain access to terminal blocks TB1 and the interface entry plates, loosen the screws securing the protective cover panel and remove the panel. This panel is to the right of the X-Slot communication bay (see Figure 4-9 on page 53).
5. To locate the appropriate terminals and review the wiring and termination requirements, see Table 4-1 on page 57, and Figure 4-9 through Figure 4-11.
6. If battery cabinets are installed attached to the UPS cabinet, proceed to Step 7; if battery cabinets are installed separated from the UPS cabinet or a rack-mounted battery system is being used, proceed to Step 10.
7. Route the Shunt trip and Aux wiring harness supplied with the battery cabinet from the battery cabinet to the UPS cabinet. Refer to the Eaton 9395P Integrated Battery Cabinet (Model IBC-L installation manual for battery cabinet wiring access information.
8. Connect the wiring to TB1 terminals.
9. Proceed to Step 15.
10. Remove the UPS cabinet interface entry plates to drill or punch holes (see Figure 4-15 on page 68).
11. Reinstall the interface entry plates.
12. Route the Shunt trip and Aux wiring from the battery cabinet or battery system breaker to the UPS.
13. Connect the wiring to the TB1 terminals.
14. When all wiring is complete, reinstall the protective cover panel and secure with the cabinet mounted screws.
15. If wiring X-Slot connections, proceed to Section 4.7.3; otherwise, reinstall the left and center front panels removed in the previous steps and secure with the retained hardware.

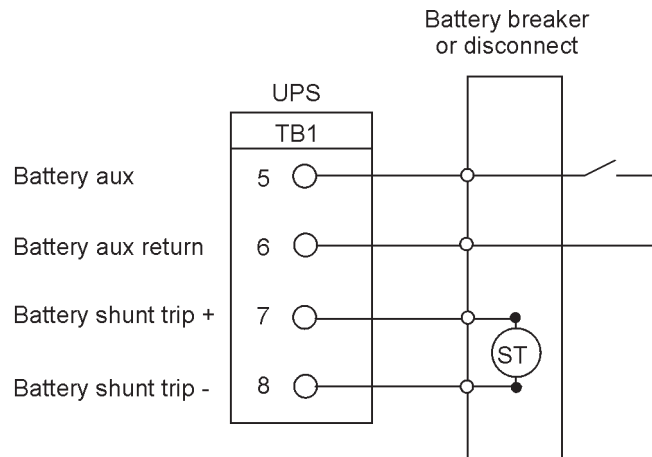


Figure 4-11. Typical battery interface connection



NOTE

Battery Aux and DC Shunt Trip wiring should be a minimum of 1.5 mm².

4.7.3 X-Slot connections



NOTE

LAN and telephone drops for use with X-Slot cards must be provided by the customer.

When installing internal wiring to X-Slot terminals, route the wiring through the internal opening in the X-Slot communication bay.

For installation and setup of an X-Slot card, please contact Eaton Corporation.

To install wiring to connections:

1. If not already installed, install the LAN and telephone drops.
2. If not already accomplished, remove one top screw and two bottom screws securing the UPS center front panel (see Figure 4-2 on page 41). Lift the panel straight up to remove from the panel hanger bracket at the top of the cabinet.
3. Remove the UPS cabinet interface entry plates to drill or punch holes (see Figure 4-5 on page 45).
4. Reinstall the interface entry plates.
5. Route and install the LAN, telephone, and other cables to the appropriate X-Slot cards. See Figure 4-9 on page 53 and Figure 4-12 for X-Slot location.
6. When all wiring is complete, reinstall the front panel removed in the previous steps and secure with the retained hardware.
7. Refer to the manual supplied with the X-Slot card for operator instructions.

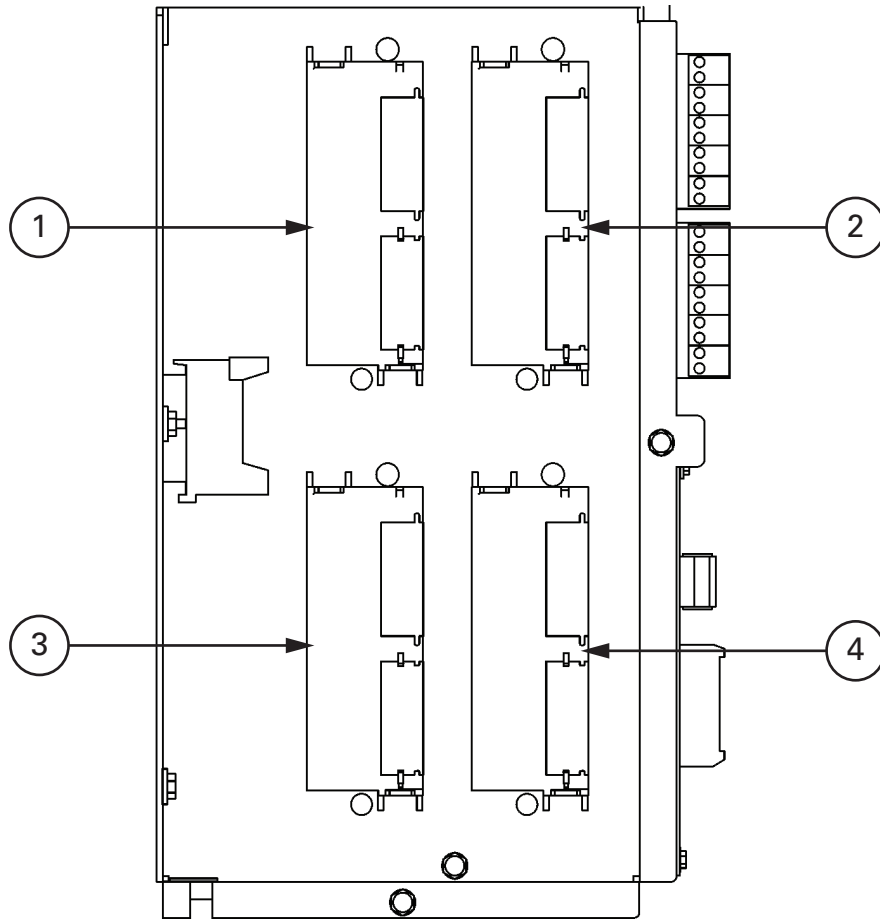


Figure 4-12. X-Slot communication bays

1	X-Slot communications bay 1
2	X-Slot communications bay 2
3	X-Slot communications bay 3
4	X-Slot communications bay 4

4.8 Installing a remote EPO switch



NOTE

This switch must be a dedicated switch not tied into any other circuits.

This procedure is intended to be used for the installation of the Eaton remote EPO switch. If installing another manufacturer's switch, only use this procedure as a guide.

A remote EPO switch can be used in an emergency to shut down the UPS and remove power to the critical load from a location away from where the UPS is installed. Figure 4-13 shows a remote EPO switch.

1. Securely mount the remote EPO switch. Recommended locations include operator's consoles or near exit doors. See Figure 3-5 on page 27 for enclosure dimensions and wiring knockouts.
2. Verify the UPS system is turned off and all power sources are removed. See Chapter 4: "UPS operating instructions" for shutdown instructions.
3. Remove one top screw and two bottom screws securing the UPS center front panel (see Figure 4-2 on page 41). Lift the panel straight up to remove from the panel hanger bracket at the top of the cabinet.

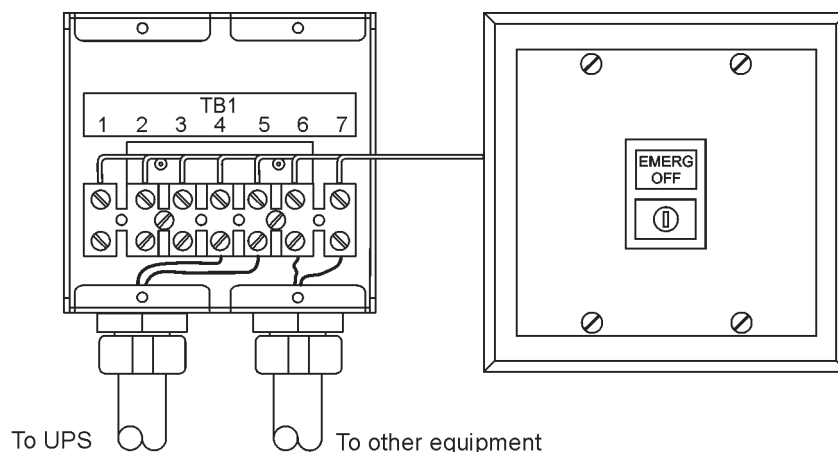


Figure 4-13. Remote EPO switch

4. To gain access to terminal blocks TB1 and TB2 and the interface entry plates, loosen the screws securing the protective cover panel and remove the panel. This panel is to the right of the X-Slot communication bays (see Figure 4-12 on page 59).
5. Remove the UPS cabinet interface entry plates to drill or punch holes (see Figure 4-4 on page 36).
6. Reinstall the interface entry plates.
7. To locate the appropriate terminals and review the wiring and termination requirements, see Table 4-1 on page 57, and Figure 4-10 through Figure 4-12.
8. Route and connect the wiring as shown in Table 4-2 and Figure 4-14.
9. If the normally-closed Remote EPO TB1 connection in the UPS is not used, connect a jumper wire between pins 1 and 2 on TB1.

From remote EPO switch	To customer interface Terminal board TB1 in UPS cabinet	Remarks
TB1-4	TB1-3	Twisted wires (2 0.75mm ² ...2.5mm ²)
TB1-5	TB1-4	

Table 4-2: Remote EPO wire terminations

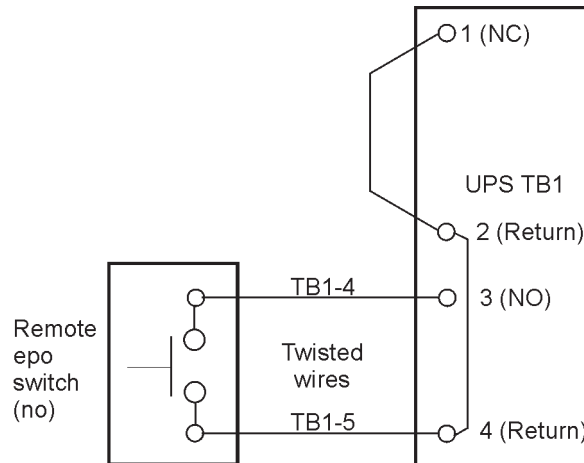


Figure 4-14. Normally-open remote EPO switch wiring



NOTE

Remote EPO switch rating is 24 Vdc, 1 A minimum.
Remote EPO normally-open and normally-closed return terminals are separated on the terminal board, but are connected together.

10. If you are installing multiple remote EPO switches, wire additional switches in parallel with the first remote EPO.
11. If required, install wiring from the remote EPO switch to the trip circuitry of the upstream protective devices. A normally-open (NO) contact is provided between terminals 6 and 7 of the remote EPO switch (where applicable, as shown in Figure 4-13. Remote EPO switch wiring must be in accordance with electrical code requirements.
12. When all wiring is complete, reinstall the protective cover panel and secure with the cabinet mounted screws.
13. Reinstall the center front panel removed in the previous steps and secure with the retained hardware.

Figure 4-15 and Figure 4-16 show alternative methods of connecting a remote EPO switch if using another manufacturer's switch.

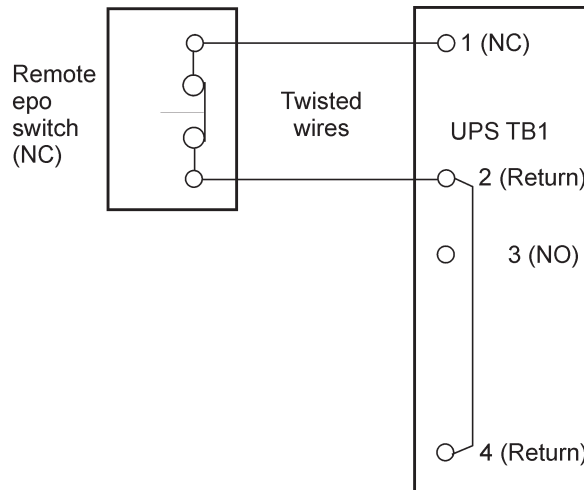


Figure 4-15. Normally-closed remote EPO switch wiring



NOTE

Remote EPO switch rating is 24 Vdc, 1 A minimum.
 Remote EPO normally-open and normally-closed return terminals are separated on the terminal board, but are connected together.

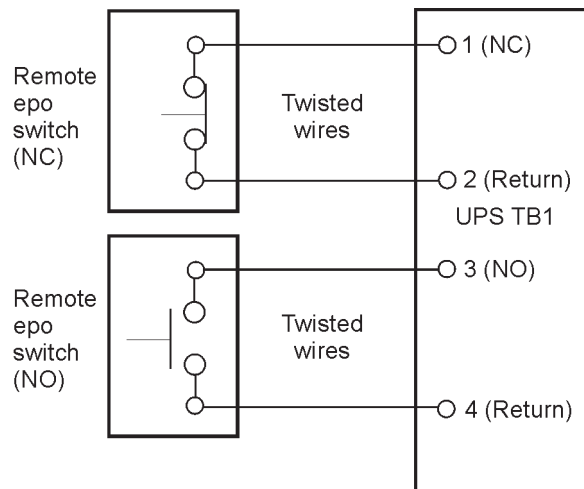


Figure 4-16. Normally closed and normally open remote EPO switch wiring



NOTE

Remote EPO switch rating is 24 Vdc, 1 A minimum.
 Remote EPO normally-open and normally-closed return terminals are separated on the terminal board, but are connected together.

4.9 Installing options, accessories, and distributed bypass control wiring

To install options, accessories, and distributed bypass control wiring, see Chapter 2: “Installing an optional HotSync CAN Bridge Card”.

4.10 Initial startup

Startup and operational checks must be performed by an authorized Eaton Customer Service Engineer, or the warranty terms specified on page 148 become void. This service is offered as part of the sales contract for the UPS. Contact service in advance (usually a two-week notice is required to reserve a preferred startup date).

4.11 Completing the installation checklist

The final step in installing the UPS system is completing the installation checklist at the end of this manual. This checklist ensures that you have completely installed all hardware, cables, and other equipment. Complete all items listed on the checklist to ensure a smooth installation. Make a copy of the installation checklist before filling it out, and retain the original. If installing a parallel system, complete the parallel system installation checklist in addition to the installation checklist.

After the installation is complete, your service representative must verify the operation of the UPS system and commission it to support the critical load. The service representative does not perform any installation tasks other than verifying software and operating setup parameters. Service personnel may request a copy of the completed installation checklist to verify all applicable equipment installations have been completed.



NOTE

The installation checklist **MUST** be completed prior to starting the UPS system for the first time.

5 Installing options and accessories

5.1 Installing an optional HotSync CAN Bridge Card

As an option, a HotSync Controller Area Network (CAN Bridge Card, shown in Figure 5-1, can be installed to provide connectivity for operational mode control of a parallel system. In addition, this card can be used to connect optional system monitoring devices, such as a Remote Monitor Panel II, a Relay Interface Module II, or a Supervisory Contact Module II, to the UPS.

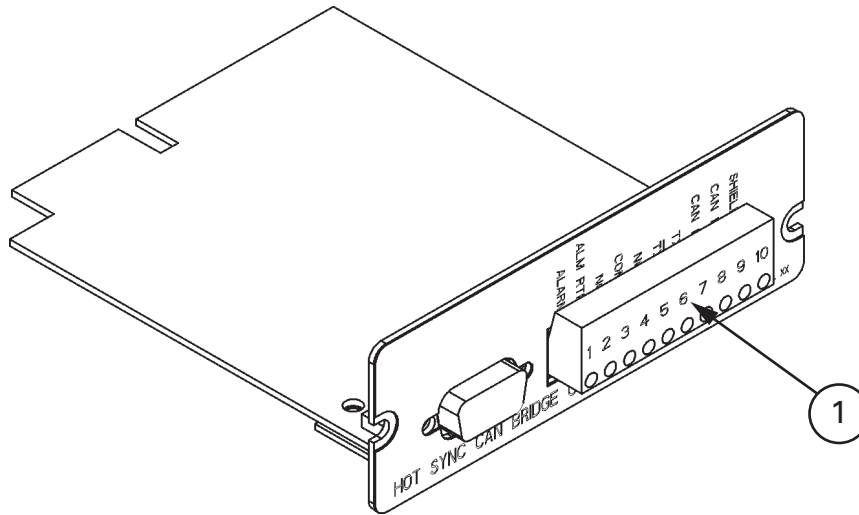


Figure 5-1. HotSync CAN Bridge Card

1	Plug-in Terminal Block J3
---	---------------------------



NOTE

Only one HotSync CAN Bridge Card can be installed in the UPS. Multiple CAN cards are not supported in standard distributed bypass systems.

To install the card:

1. Verify the UPS system is turned off and all power sources are disconnected. See Chapter 4: “UPS operating instructions” for shutdown instructions.
2. Unfasten the front door latch and swing the door open (see Figure 4-2 on page 41).
3. If installing interface wiring through the left interface entry conduit landing, proceed to Step 4; otherwise, proceed to Step 6.
4. Remove one top screw and two bottom screws securing the UPS left front panel (see Figure 4-2 on page 41). Lift the panel straight up to remove it from the panel hanger bracket at the top of the cabinet.
5. Remove the screws securing the protective cover panel covering the X-slot and remove the panel. Retain the hardware for later use.
6. Install the HotSync CAN Bridge Card into an open X-Slot communication bay on the front of the UPS. See Figure 4-10 on page 55 and Figure 4-12 on page 59 for X-Slot communication bay locations.

To locate the appropriate terminals on the HotSync CAN Bridge Card, see Figure 5-2 and Table 5-1 on page 65.

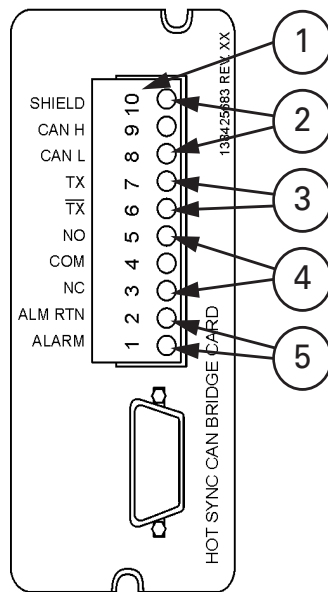


Figure 5-2. HotSync CAN Bridge Card connections

1	J3
2	Connections for Parallel Systems Control
3	Connections for RPM II, RIM II, or SCM II
4	Connections for Bypass Status
5	Alarm

J3 Terminal	Name	Description
1	Alarm	Programmable UPS alarm. Activate by a remote dry contact closure.
2	Alarm Return	
3	Alarm Relay NC	Normally-closed contact opens when UPS is on bypass.
4	Alarm Relay Com	Bypass contact return.
5	Alarm Relay NO	Normally-open contact closes when UPS is on bypass.
6	$\overline{\text{TX}}$	RMP II, RIM II, and SCM II connections.
7	TX	
8	CAN L	CAN interface for parallel operation.
9	CAN H	
10	Shield	

Table 5-1: HotSync CAN Bridge Card interface connections

5.2 Installing distributed bypass control wiring



NOTE

When installing external wiring to the HotSync CAN Bridge Card terminals, route the wiring through the internal opening in the X-Slot communication bay.

To install distributed bypass control wiring:

1. Verify the UPS system is turned off and all power sources are disconnected. See Chapter 4: “UPS operating instructions” for shutdown instructions.
 2. Perform the procedure listed in Section 5.1.
 3. Terminal block TB3 is accessible on the left side of the X-Slot communication bay (see Figure 4-9 on page 44). To gain access to terminal block TB1, TB2, and the left interface entry conduit landing plates, loosen the screws securing the top protective cover panel and remove the panel. This panel is to the right of the X-Slot communication bay (see Figure 4-12 on page 59). Retain the hardware for later use.
 4. Remove the interface entry conduit landing plates to drill or punch holes (see Figure 4-5 on page 45).
 5. Reinstall the interface entry plates and install the conduit.
 6. To locate the appropriate terminals and review the wiring and termination requirements, see Section 3.2.3 on page 33, Table 4-1 on page 57, and Figure 4-10 on page 55 through Figure 4-12.
 7. Route and install CAN wiring between the UPS cabinets. See Figure 5-1 and Table 5-1 on page 65 for the HotSync CAN Bridge Card terminal location and Figure 5-3, Figure 5-4, and Table 5-2 on page 68 for wiring information.
 8. If a tie cabinet with Module Output Breakers (MOBs) is being wired, proceed to Step 12; otherwise, proceed to Step 9.
 9. Route and install distributed bypass system pull-chain wiring between the UPS cabinets. See Figure 5-3 and Table 5-3 on page 68 for wiring information.
 10. Proceed to Step 13.
 11. Route and install distributed bypass system pull-chain wiring between the UPS cabinets and tie cabinet MOBs. See Figure 5-4 on page 67 and Table 5-4 on page 69 for wiring information.
-



NOTE

Setup of the HotSync CAN Bridge Card for parallel operation must be performed by an authorized Eaton Customer Service Engineer. Contact an Eaton service representative to schedule a date.

12. Reinstall the protective cover panel and secure with the cabinet mounted screws.
13. Close the front door and secure the latch.
14. If removed, reinstall the safety shield panel removed in Section 5.1, Step 5. Secure with the retained hardware.
15. If removed, reinstall the left front panel removed in Section 5.1, Step 4 and secure with the retained hardware.

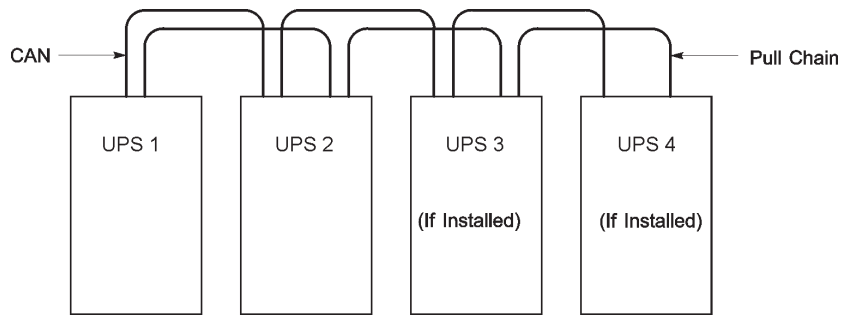


Figure 5-3. Distributed bypass system CAN and Pull-Chain simplified interface wiring



NOTE

This drawing is for distributed bypass wiring purposes and is not a floor layout plan. UPSs can be placed in any physical order.

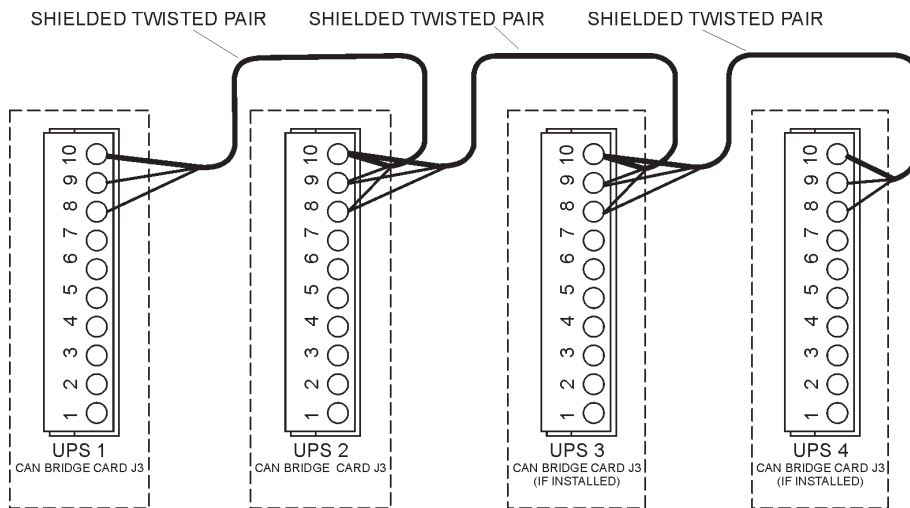


Figure 5-4. Distributed bypass system UPS CAN wiring without MOBs



NOTE

External CAN connections between UPSs require shielded twisted pair wire.

From UPS 1 CAN Bridge Card	To UPS 2 CAN Bridge Card	To UPS 3 CAN Bridge Card	To UPS 4 CAN Bridge Card
J3-8 (L)	J3-8 (L)	J3-8 (L)	J3-8 (L)
J3-9(H)	J3-9(H)	J3-9(H)	J3-9(H)

J3-10 (Shield)	J3-10 (Shield)	J3-10 (Shield)	J3-10 (Shield)
----------------	----------------	----------------	----------------

Table 5-2: CAN Bridge Card wiring terminations



NOTE

Use twisted pair wiring between the UPS and MOB AUX contacts.

From UPS 1	To UPS 2	To UPS 3 (if installed)	To UPS 4 (if installed)
TB2-1 (Pull Chain)	TB2-1 (Pull Chain)	TB2-1 (Pull Chain)	TB2-1 (Pull Chain)
TB2-2 (Pull Chain)	TB2-2 (Pull Chain)	TB2-2 (Pull Chain)	TB2-2 (Pull Chain)

Table 5-3: Pull-Chain wiring terminations



NOTE

NC and NO designations on MOB AUX contacts are defined with breaker in OFF (open position).

If MOB contacts have pigtail leads, use the same wire gauge to connect to the UPS and use the correct crimp connections for the wire gauge.

External CAN connections between UPS cabinets require shielded twisted pair wire.

Use twisted pair wiring between the UPS and MOB AUX contacts.

Always confirm contact operation prior to wiring.

From	To	Function
UPS 1 CAN Bridge Card J3-1 (Alarm)	MOB 1 Aux 1 NC	MOB Open Alarm
UPS 1 CAN Bridge Card J3-2 (Alarm Return)	MOB 1 Aux 1 Com	
UPS 1 TB2-1 (Pull Chain)	MOB 1 Aux 2 NO	Pull Chain
UPS 1 TB2-2 (Pull Chain Common)	UPS 2 TB2-2 (Pull Chain Common)	Pull Chain Common
UPS 2 CAN Bridge Card J3-1 (Alarm)	MOB 2 Aux 1 NC	MOB Open Alarm
UPS 2 CAN Bridge Card J3-2 (Alarm Return)	MOB 2 Aux 1 Com	

UPS 2 TB2-1 (Pull Chain	MOB 2 Aux 2 NO	Pull Chain
UPS 2 TB2-2 (Pull Chain Common	UPS 3 TB2-2 (Pull Chain Common	Pull Chain Common
UPS 3 CAN Bridge Card J3-1 (Alarm	MOB 3 Aux 1 NC	MOB Open Alarm
UPS 3 CAN Bridge Card J3-2 (Alarm Return	MOB 3 Aux 1 Com	
UPS 3 TB2-1 (Pull Chain	MOB 3 Aux 2 NO	Pull Chain
UPS 3 TB2-2 (Pull Chain Common	UPS 4 TB2-2 (Pull Chain Common	Pull Chain Common
UPS 4 CAN Bridge Card J3-1 (Alarm	MOB 4 Aux 1 NC	MOB Open Alarm
UPS 4 CAN Bridge Card J3-2 (Alarm Return	MOB 4 Aux 1 Com	
UPS 4 TB2-1 (Pull Chain	MOB 4 Aux 2 NO	Pull Chain
MOB 1 Aux 2 COM	MOB 2 Aux 2 Com	Pull Chain MOB Common
MOB 2 Aux 2 COM	MOB 3 Aux 2 Com	
MOB 3 Aux 2 COM	MOB 4 Aux 2 Com	

Table 5-4: Pull-Chain wiring terminations with MOB's

6 Understanding UPS operation

6.1 Looking inside the UPS system

The Eaton 9395 UPS is a continuous-duty, solid-state, transformerless (at 400 Vac, three-phase, true online system that provides conditioned and uninterruptible AC power to the UPS system's output and critical load. The basic system consists of a rectifier, battery converter, inverter, monitoring/operation control panel, integrated communication server, and digital signal processor (DSP logic).



Figure 6-1. Main elements of the UPS system



NOTE

On a UPS configured as an Input Output Module (IOM, the bypass input, static switch, and backfeed protection contactor (K5) are not present.

If utility power is interrupted or falls outside the parameters specified in Chapter 6: "Product specifications" the UPS uses a backup battery supply to maintain power to the critical load for a specified period of time or until the utility power returns. For extended power outages, the UPS allows you to either transfer to an alternative power system (such as a generator or shut down your critical load in an orderly manner. The emergency bypass consists of a continuous-duty static switch and backfeed protection contactor K5. The backfeed protection contactor is located in series with the static switch. For manual transfers to bypass, the static switch is also used. The static switch is armed and ready during both types of transfers.

On a UPS configured as an Input Output Module (IOM, bypass circuitry is not installed. This configuration is primarily used in multiple UPS parallel systems that do not need a bypass for each UPS and use a separate System Bypass Module (SBM) to provide system bypass capabilities.

6.2 Single UPS

A single UPS operates independently to support an applied load from the inverter, providing conditioned and uninterruptible AC power to the critical load from the output of the module. During an outage, the inverter continues to operate, supporting power to the load from the battery supply. If the unit requires service, applied loads are transferred to the internal bypass via the continuous-duty static switch either automatically or manually. With the exception of a battery cabinet, no other cabinets or equipment are required for the single UPS to successfully support its applied loads.

6.2.1 Modes

The Eaton 9395P UPS supports a critical load in five different modes of operation. The UPS can automatically use all five modes, as required.



NOTE

The Variable Module Management System and Energy Saver System modes are mutually exclusive.

The standard operation modes are:

- In Normal mode, the critical load is supplied by the inverter, which derives its power from rectified utility AC power. In this mode, the battery charger also provides charging current for the battery, if needed.
- In Battery mode, the battery provides DC power, which maintains inverter operation. The battery supports the critical load.
- In Bypass mode, the critical load is directly supported by utility power.
- In Variable Module Management System (VMMS mode, the UPS operates as a traditional double-conversion UPS, but selectively shifts the load to fewer UPMS to increase the efficiency of the UPS.
- In Energy Saver System (ESS mode, the critical load is directly supported by utility power, but with the ability to automatically switch to Normal mode if an abnormal condition is detected.

The following sections describe the differences in the five UPS operating modes, using block diagrams to show the power flow during each mode of operation.

6.2.2 Normal mode

Figure 6-2 shows the path of electrical power through the UPS system when the UPS is operating in normal mode.



NOTE

On a UPS configured as an IOM, the bypass input, static switch, and K5 are not present.

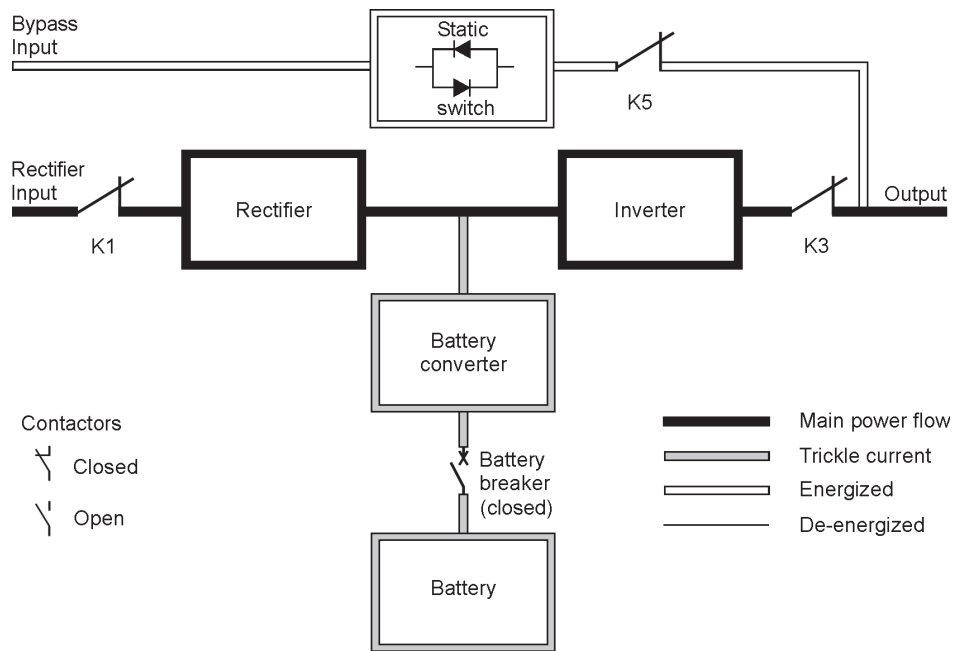


Figure 6-2. Path of current through the UPS in normal mode

During normal UPS operation, power for the system is derived from a utility input source through the rectifier input contactor K1. The front panel displays Normal, indicating the incoming power is within voltage and frequency acceptance windows. Three-phase AC input power is converted to DC using IGBT devices to produce a regulated DC voltage to the inverter. The battery is charged directly from the regulated rectifier output through a buck or boost DC converter, depending on the system voltage and the size of the battery string attached to the unit.

The battery converter derives its input from the regulated DC output of the rectifier and provides regulated charge current to the battery. The battery is always connected to the UPS and ready to support the inverter should the utility input become unavailable.

The inverter produces a three-phase AC output to a customer's load without the use of a transformer. The inverter derives regulated DC from the rectifier and uses IGBT devices and pulse-width modulation (PWM) to produce a regulated and filtered AC output. The AC output of the inverter is delivered to the system output through the output contactor K3.

If the utility AC power is interrupted or is out of specification, the UPS automatically switches to Battery mode to support the critical load without interruption. When utility power returns, the UPS returns to Normal mode.

If the UPS becomes overloaded or unavailable, the UPS switches to Bypass mode. The UPS automatically returns to Normal mode when the overload condition is cleared and system operation is restored within specified limits.

If the UPS suffers an internal failure, it switches automatically to Bypass mode and remains in that mode until the failure is corrected and the UPS is back in service.

6.2.3 Bypass mode

The UPS automatically switches to bypass mode if it detects an overload, load fault, or internal failure. The bypass source supplies the commercial AC power to the load directly. Figure 6-3 shows the path of electrical power through the UPS system when operating in Bypass mode.



CAUTION

The critical load is not protected while the UPS is in Bypass mode.

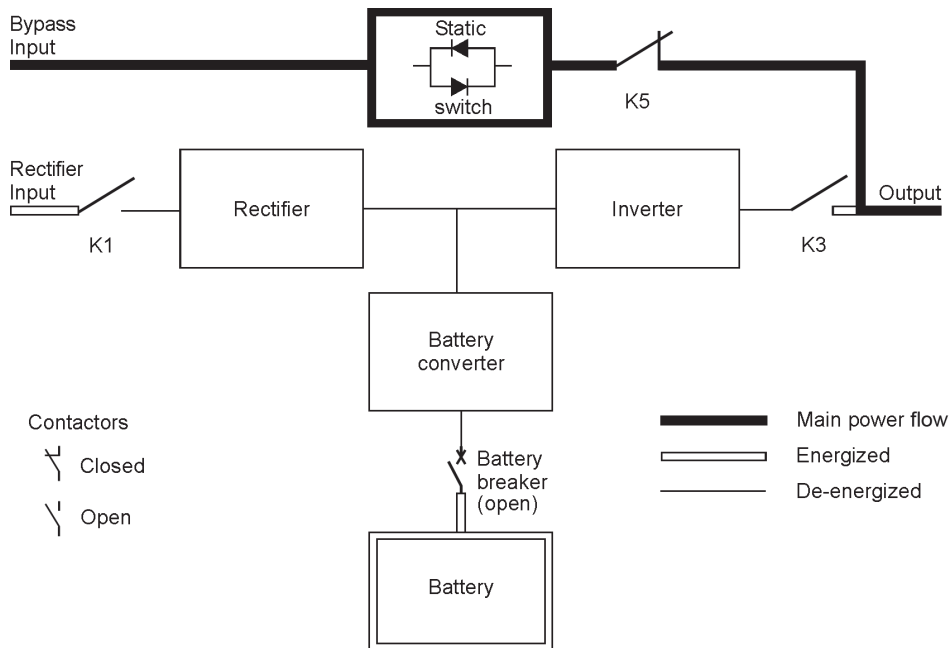


Figure 6-3. Path of current through the UPS in bypass mode



NOTE

On a UPS configured as an IOM, the bypass input, static switch, and K5 are not present.

In bypass mode, the output of the system is provided with three-phase AC power directly from the system input. While in this mode, the output of the system is not protected from voltage or frequency fluctuations or power outages from the source. Some power line filtering and transient protection is provided to the load but no active power conditioning or battery support is available to the output of the system in the bypass mode of operation.

The internal bypass is comprised of a solid-state, silicon-controlled rectifier (SCR static switch (SSW) and a backfeed protection contactor K5. The static switch is rated as a continuous-duty device that is used anytime the inverter is unable to support the applied load. The static switch is wired in series with the backfeed protection contactor, and together they are wired in parallel with the rectifier and inverter. The static switch, being an electronically-controlled device, can be turned on immediately to pick up the load from the inverter while the inverter output contactor K3 opens to isolate the inverter. The backfeed protection contactor is normally always closed, ready to support the static switch unless the bypass input source becomes unavailable.

6.2.4 Variable Module Management System



NOTE

VMMS and ESS modes are mutually exclusive. If VMMS mode is enabled, ESS mode is disabled.

In VMMS mode, the UPS operates as a traditional double-conversion UPS. However, the UPS will selectively shift the load to fewer UPMs based on the required load in order to force the remaining UPMs to carry a higher load. The efficiency rating for each UPM is highest when loads are greater than 50% of the UPM rating. Therefore, with multiple UPMs, a UPS can achieve higher efficiencies for lighter loads.

When a UPM is inactivated by VMMS mode, the UPM will stop gating the inverter and rectifier and keep the output contactor closed in order to maintain voltage match and phase lock to the critical bus. In this mode the UPS actively monitors the critical bus, keeping the UPM input contactor closed in order to keep the DC link primed (through the rectifier diodes and also to allow the UPM to immediately return to active mode in the event of a disturbance or load step on the critical bus.

VMMS limits the maximum power available from a UPM when in VMMS mode. The default setting is 80% of the UPM full power rating. If the limit is exceeded, additional UPMs are activated to take on the increased load. The VMMS redundancy setting sets the number of redundant UPMs that the customer requires. Both the VMMS UPM load limit and UPM redundancy are user-configurable.

In High Alert mode, the UPS defaults to double-conversion Online mode and all UPMs go active for one hour (user-configurable). At the end of the hour, the UPS defaults back to VMMS mode. If the High Alert mode is reactivated during the one hour, the one hour timer will be restarted.

6.2.5 Energy Saver System (ESS)



NOTE

VMMS and ESS modes are mutually exclusive. If ESS mode is enabled, VMMS mode is disabled.

When the UPS is operating in Energy Saver System, the bypass source supplies the commercial AC power to the load directly through the static switch. Some power line filtering and transient protection is provided to the load but no active power conditioning or battery support is available. All power converters are off and are in the ready state (in case a forward transfer is needed). During this mode, the output contactor is closed and the link is maintained through the diode bridge. Figure 6-4 shows the path of electrical power through the UPS system when operating in Energy Saver System.

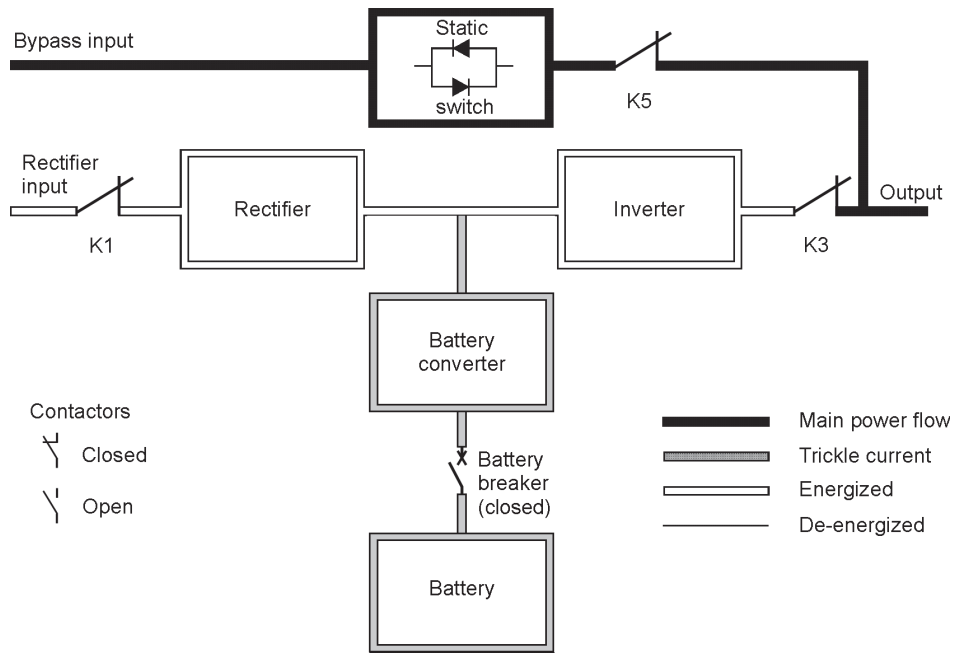


Figure 6-4. Path of current through the UPS in Energy Saver System

If the bypass source falls outside of a predetermined voltage or frequency window, the system forward transfers to Battery mode and then to Normal mode with the inverter assuming the load. The transfer takes place with a 2 ms typical transfer time, to ensure loads being fed by the system output are not interrupted. All forward transfers transfer to Battery mode before returning to Normal mode.

Energy Saver mode is a normal operating mode, and not an alarm condition. While the UPS is in this mode, the NORMAL light on the front display will illuminate.

6.2.6 Battery mode

The UPS automatically transfers to battery mode if a utility power outage occurs, or if the utility power does not conform to specified parameters. In battery mode, the battery provides emergency DC power which is converted to regulated output power by the inverter.

Figure 6-5 shows the path of electrical power through the UPS system when operating in battery mode.



NOTE

On a UPS configured as an IOM, the bypass input, static switch, and K5 are not present.

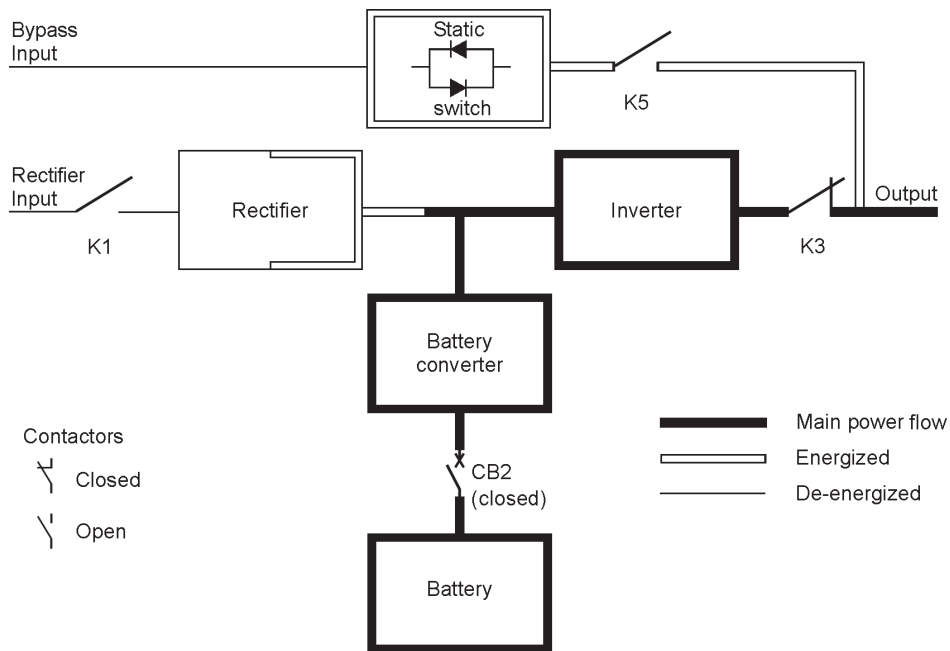


Figure 6-5. Path of current through the UPS in battery mode

During a utility power failure, the rectifier no longer has an AC utility source from which to supply the DC output current required to support the inverter. The input contactor K1 opens and the battery instantaneously supplies energy to the battery converter. The converter either bucks or boosts the voltage so that the inverter can support the customer's load without interruption. If bypass is common with the rectifier input, the backfeed protection contactor K5 also opens. The opening of contactors K1 and K5 prevent system voltages from bleeding backwards through the static switch and rectifier snubber components and re-entering the input source.

If the input power fails to return or is not within the acceptance windows required for normal operation, the battery continues discharging until a DC voltage level is reached where the inverter output can no longer support the connected loads. When this event occurs, the UPS issues another set of audible and visual alarms indicating SHUTDOWN IMMINENT. Unless the rectifier has a valid AC input soon, the output can be supported for only two minutes before the output of the system shuts down. If the bypass source is available, the UPS transfers to bypass instead of shutting down.

If at any time during the battery discharge the input power becomes available again, contactors K1 and K5 close and the rectifier begins to supply DC current to the converter and inverter. At this point, the unit returns to normal mode. Depending on the total load and the duration of the battery discharge, status Charging at full current may be seen for a short time due to the current required to recharge the battery.

6.3 UPS system oneline configurations

The system oneline drawings in this section show the simplified internal structure of the UPS, battery supply, and basic maintenance bypass.

Oneline drawing	UPS model	Voltage		System type
		Input	Output	
Figure 6-6 on page 79	9395P-600 kVA 9395P-500 kVA	400	400	Single Reverse Transfer UPS - Two UPM, Common Rectifier Feed, Common Battery, Dual-Feed Configuration
Figure 6-7 on page 80	9395P-600 kVA 9395P-500 kVA	400	400	Single Reverse Transfer UPS - Two UPM, Common Rectifier Feed, Separate Battery, Dual-Feed Configuration
Figure 6-8 on page 81	9395P-600 kVA 9395P-500 kVA	400	400	Single Reverse Transfer UPS - Three UPM, Common Rectifier Feed, Common Battery, Dual-Feed Configuration
Figure 6-9 on page 82	9395P-600 kVA 9395P-500 kVA	400	400	Single Reverse Transfer UPS - Three UPM, Common Rectifier Feed, Separate Battery, Dual-Feed Configuration
Figure 6-6 on page 79	9395P-600 kVA 9395P-500 kVA	400	400	Single Reverse Transfer UPS - Two UPM, Common Rectifier Feed, Common Battery, IOM Configuration
Figure 6-7 on page 80	9395P-600 kVA 9395P-500 kVA	400	400	Single Reverse Transfer UPS - Two UPM, Common Rectifier Feed, Separate Battery, IOM Configuration
Figure 6-10 on page 83	9395P-600 kVA 9395P-500 kVA	400	400	Simplified Dual-Feed UPS with Maintenance Bypass Panel



NOTE

If the load requires a neutral, a bypass source neutral must be provided. If the load does not require a neutral and there is no neutral conductor connected at the bypass input, a neutral must be installed to source star point.



NOTE

Callout letters A, B, C, and D map to Table 3-4 on page 28.

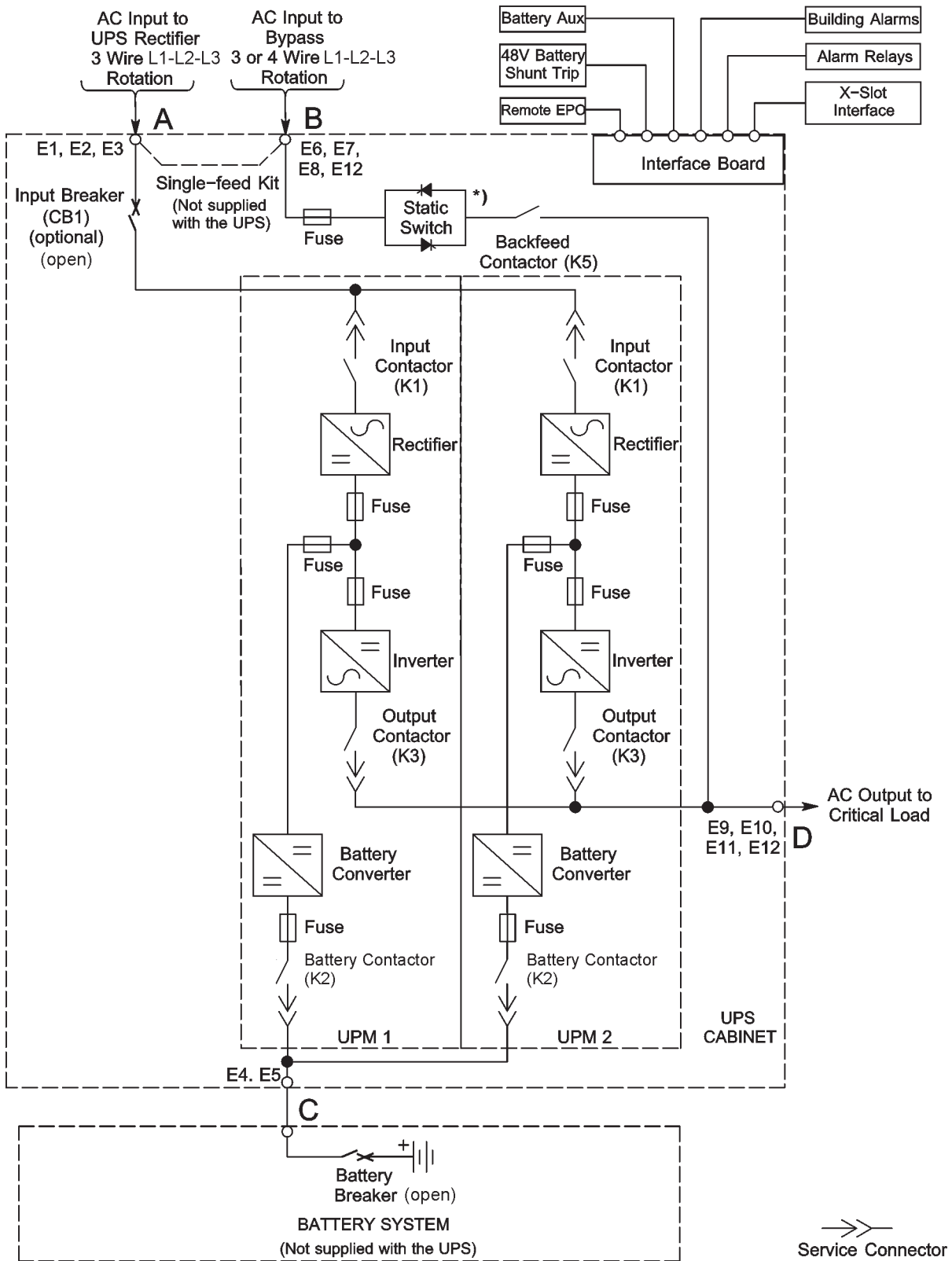


Figure 6-6. UPS system – common rectifier feed, common battery, Dual-Feed configuration

*) Static Switch line not present in IOM configuration systems.

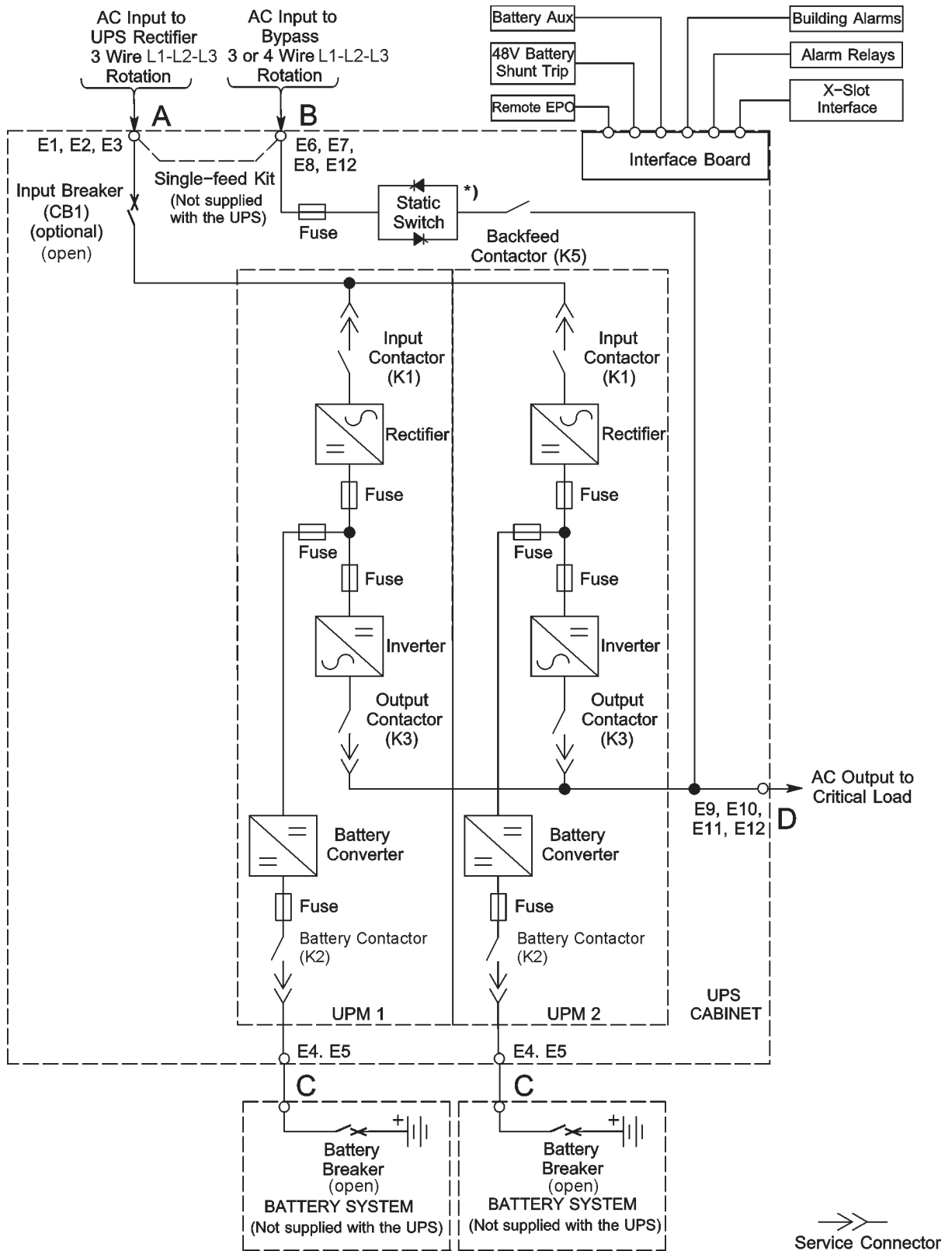


Figure 6-7. UPS system – common rectifier feed, separate battery, Dual-Feed configuration

*) Static Switch line not present in IOM configuration systems.

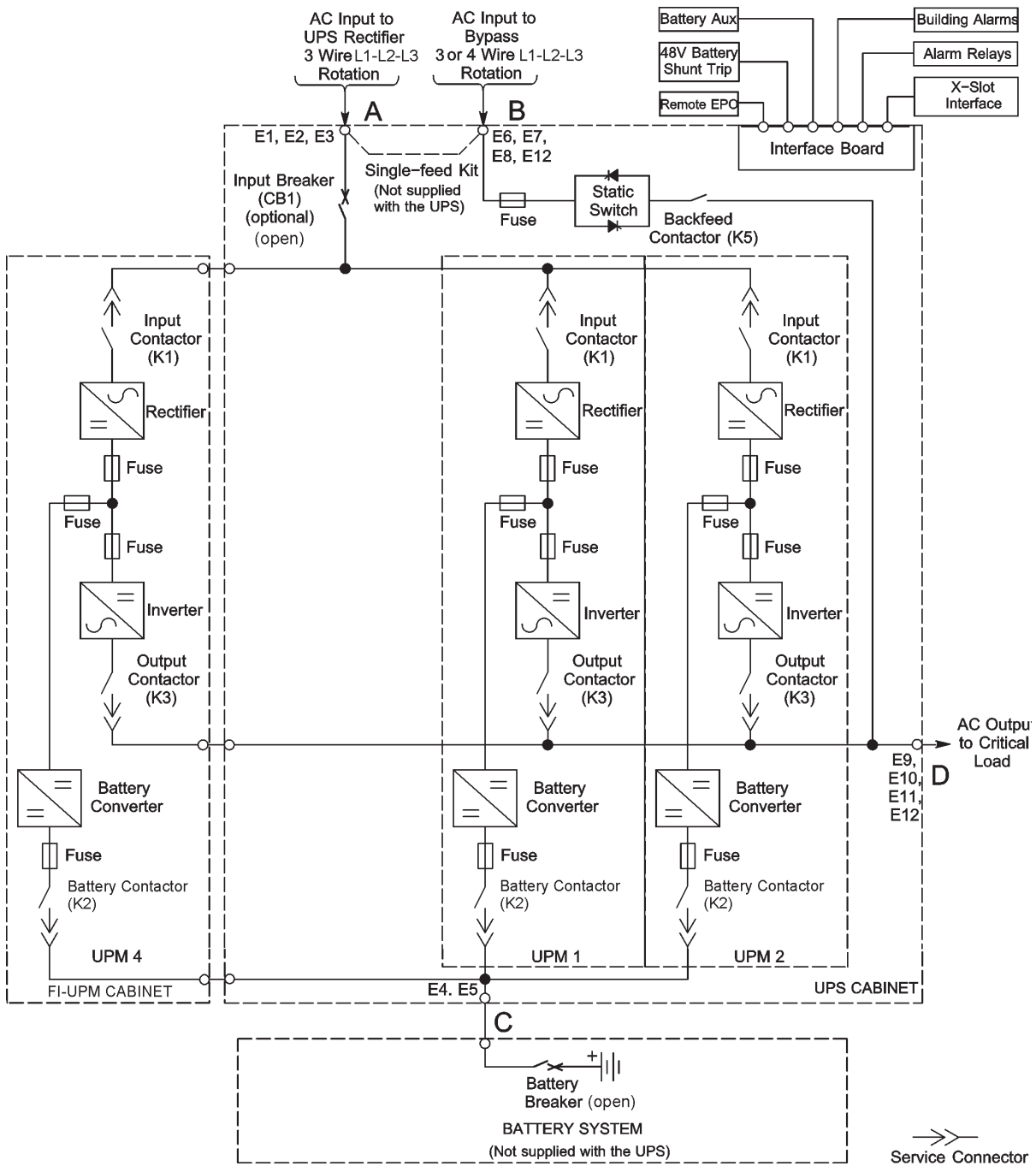


Figure 6-8. UPS system with a Field Upgrade UPM – common rectifier feed, common battery, Dual-Feed configuration

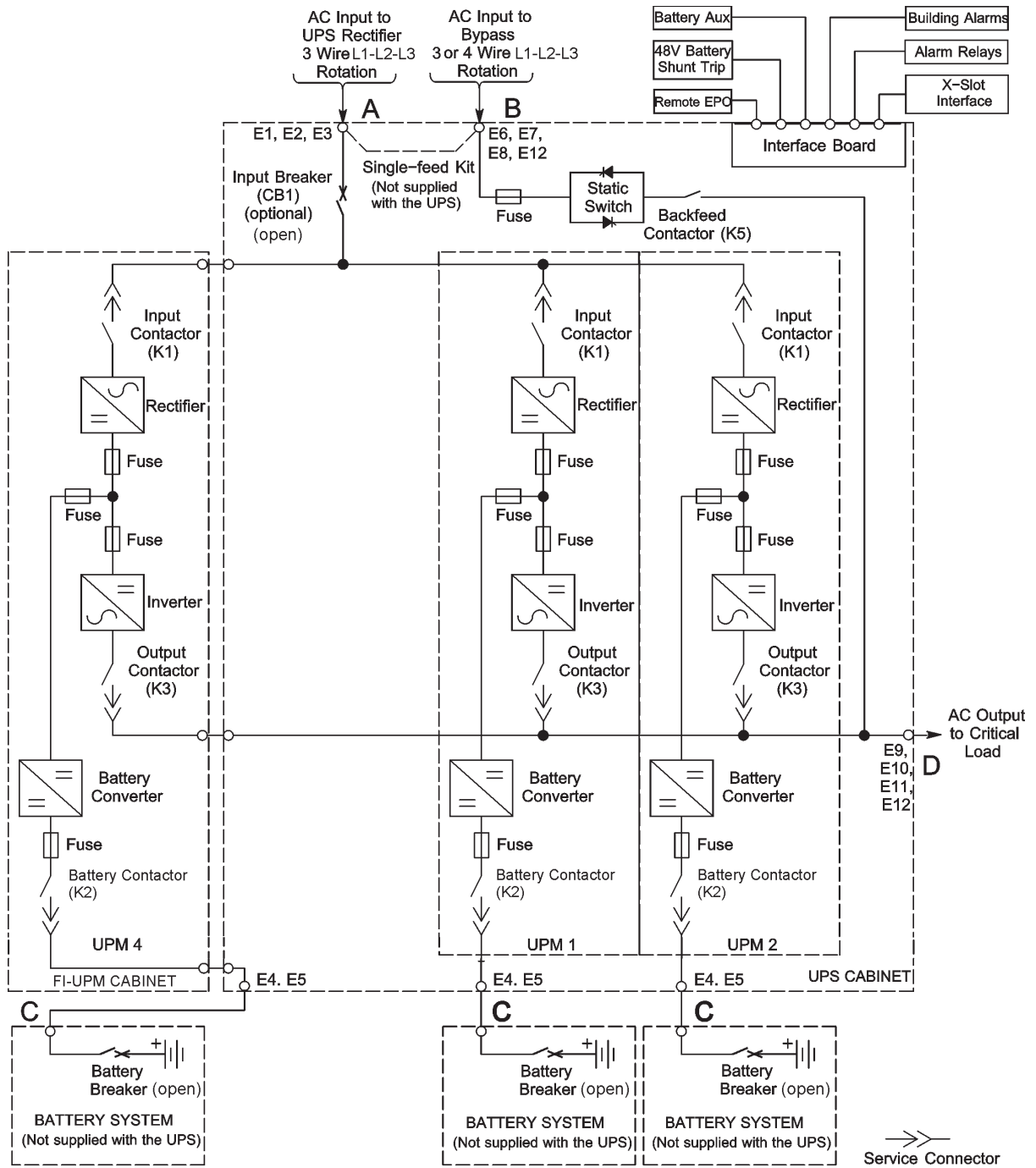
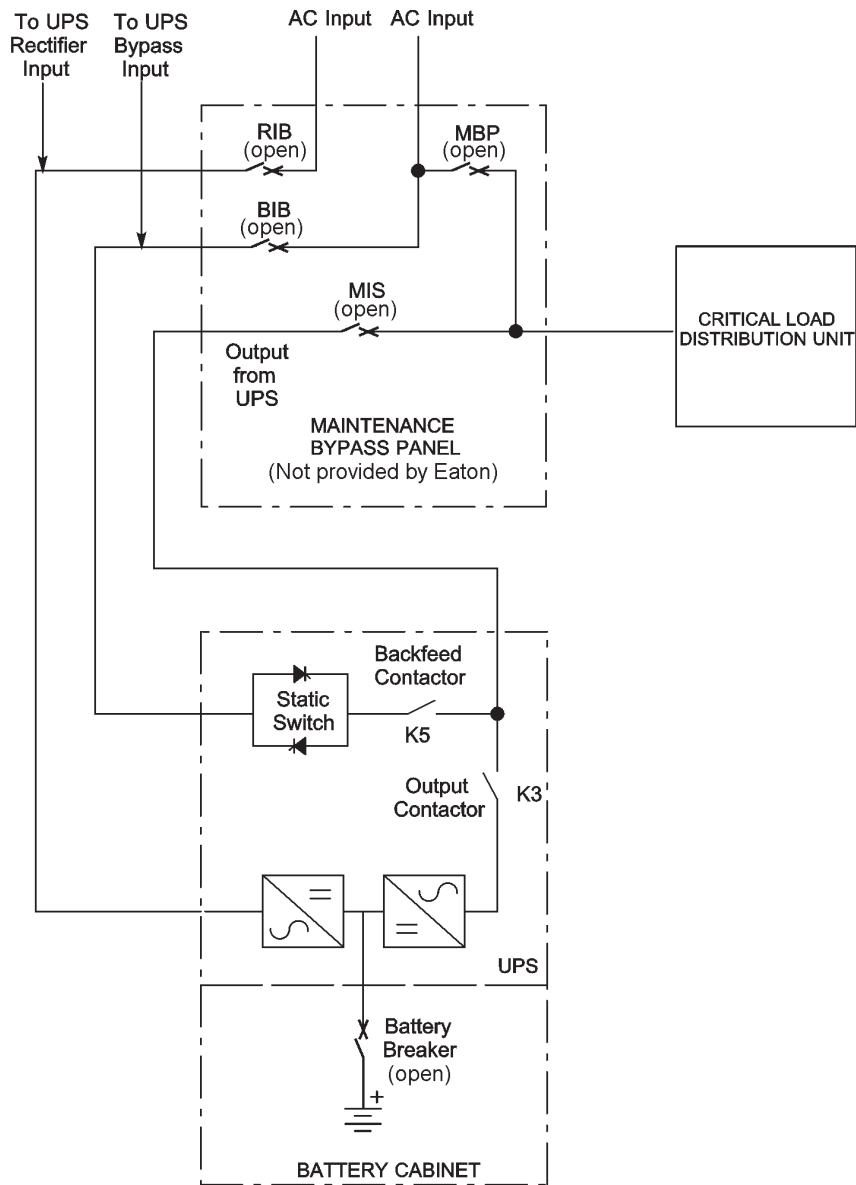


Figure 6-9. UPS system with a Field Upgrade UPM – common rectifier feed, separate battery, Dual-Feed configuration



RIB: Rectifier Input Breaker
 BIB: Bypass Input Breaker
 MIS: Maintenance Isolation Breaker
 MBP: Maintenance Bypass Breaker

Figure 6-10. Simplified Dual-Feed UPS with maintenance bypass panel



NOTE

If installing a maintenance bypass, a minimum of two separate feeds with upstream feeder breakers, or a single feed with two upstream feeder breakers, must be provided: one for the UPS or rectifier input breaker (RIB) (if installed) and one for the maintenance bypass input. DO NOT use a single feed or a single feeder breaker to supply both the UPS or RIB and the maintenance bypass. If a bypass input breaker (BIB) is installed in the maintenance bypass and a single-feed UPS is being installed, a single feed to the maintenance bypass is acceptable for supplying both the UPS and the bypass.

6.4 Multiple UPS distributed bypass system

Distributed bypass parallel operation extends the normal operation of Eaton 9395 UPSs by offering increased capacity and/or redundant capability.

The output of the system is normally supplied by Uninterruptible Power Modules (UPMs contained in each UPS. Multiple UPMs are connected with their outputs in parallel (tied together to provide a load level greater than the rating of one UPM, for redundancy, or both. The paralleled UPMs supply the output load with protected power as long as the load does not exceed the combined rating of the paralleled UPMs.

The power system is redundant as long as one of the UPMs can be disconnected from the output bus and the remaining UPMs can continue to supply power to the load without exceeding their ratings.

When the load is being supplied by the UPMs, the system output bus is continuously monitored for an overvoltage or undervoltage condition. If an out of limits condition is detected, the paralleled UPSs transfer the load to bypass using the UPS static switches.

Communication is required between the UPSs for system metering and mode control. System level communication and control are accomplished using a Controller Area Network (CAN. A pull chain signal in each UPS, connected to the other UPSs in parallel and tied to the bypass Status Relay in each UPS, is used for a secondary communication path. This arrangement ensures bypass control even if the CAN bus is lost.

The system is paralleled for (N+1) redundancy, as long as there is always one or more UPMs online than required to support the load. The system is paralleled for capacity if all UPMs in a system are required to support the load.

6.4.1 Multiple UPS parallel system modes

Similar to the single UPS system, the Eaton 9395 UPS parallel system supports a critical load in five different modes of operation. The standard operation modes are:



The Variable Module Management System and Energy Saver System modes are mutually exclusive.

- In Normal mode, the paralleled UPMs supply the critical load with clean, filtered power. Each UPM battery charger also provides charging current for the battery if needed.
- In Energy Saver System (ESS mode, commercial AC power is supplied directly to the critical load through the continuous static switch and transfers automatically to Normal mode if an abnormal condition is detected. ESS mode in a parallel system operates the same as it does in a single UPS system (see Section 7).
- In Variable Module Management System (VMMS mode, the UPS operates as a traditional double-conversion UPS, but selectively shifts the load to fewer UPMs to increase the efficiency of the UPS. VMMS mode operates the same as it does in a single UPS system (see Section 7).
- In Bypass mode, the critical load is directly supported by utility power through the bypass circuits in each UPS.
- In Battery mode, the battery provides DC power, which maintains UPM operation. The UPM batteries support the critical load.

The UPSs continually monitor themselves and the incoming utility power and automatically switch between these modes as required, without operator intervention, except when manually switching to

Bypass mode. The sophisticated detection and switching logic inside the UPSs ensures that operating mode changes are automatic and transparent to the critical load, while internal monitoring systems indicate the current mode of operation. The UPSs switch operating modes in response to these system events:

- A command is an intervention that is externally initiated by an operator or by some site action. A command causes the UPSs to switch operating modes; it usually does not require any further action.
- A notice is a minor system event that may or may not require attention.
- An alarm is a system event that requires immediate intervention.

The following sections describe the differences in the five parallel system operating modes, using block diagrams to show the power flow during each mode of operation.

6.4.2 Normal mode – distributed bypass

In Normal mode, utility AC power is supplied to the UPSs. Each UPS then conditions the incoming AC power and provides clean, regulated AC power to tie cabinet or distribution panel for parallel systems of up to four modules. The applied load is shared equally among the available UPMs in the system.

Figure 6-11 shows the path of electrical power through the parallel system when operating in Normal mode.

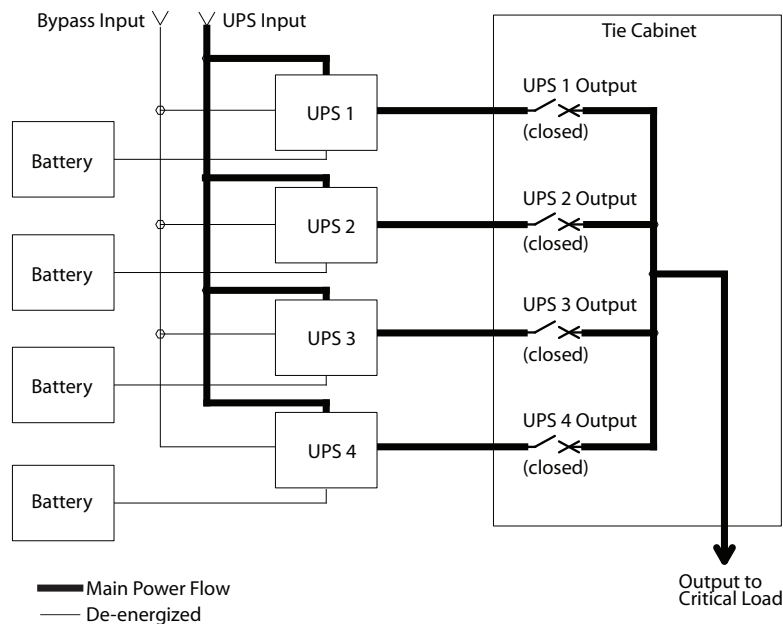


Figure 6-11. Path of current through the UPSs in normal mode – distributed bypass

If the utility AC power is interrupted or is out of specification, the UPSs automatically switch to Battery mode to support the critical load without interruption. When utility power returns, the UPSs return to Normal mode.

If the UPSs become overloaded or unavailable, the distributed bypass system switches to Bypass mode. The distributed bypass system automatically returns to Normal mode when the overload condition is cleared and system operation is restored within specified limits.

6.4.3 Bypass mode – distributed bypass

In Bypass mode, the output of the system is provided with three-phase AC power directly from the bypass input. While in this mode, the output of the system is not protected from fluctuations, spikes, or power outages from the source. No battery support is available to the output of the system in the Bypass mode of operation.

The distributed bypass system automatically switches to Bypass mode if it detects a UPS system overload or load fault.

If one UPS becomes unavailable, the distributed bypass system dynamically updates the redundancy calculation to determine if the remaining UPSs can support the load. If the load can be supported, the system does not switch to bypass.

Figure 6-12 shows the path of electrical power through the parallel system when operating in Bypass mode.

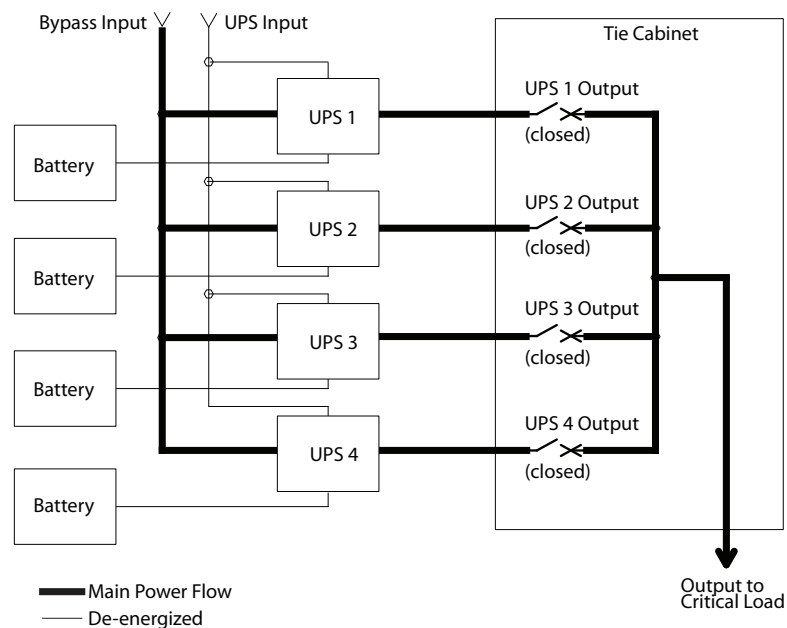


Figure 6-12. Path of current through the UPSs in bypass mode – distributed bypass

In a distributed bypass system, each UPS operates similar to a single UPS, but in parallel with the others. The bypass source for the load is derived from the bypass input of one, two, three, or four UPSs, depending on the system configuration, through the internal static switches. If a module is taken offline, the other modules remain online to support the load. Load can be supported as long as there is a sufficient number of modules, otherwise the load must be transferred to maintenance bypass or shut down.

The distributed bypass system can be transferred from Normal mode to Bypass mode manually. However, the distributed bypass system automatically switches to Bypass mode whenever the UPSs can no longer supply the critical load. If the distributed bypass system transfers to Bypass mode from Normal mode due to an output voltage deviation, the distributed bypass system automatically attempts to return to Normal mode (up to three times within a 10-minute period). After three transfer attempts or an overload, the system locks the critical load to the bypass source and requires operator intervention to transfer.

Bypass mode is a normal operating mode, not an alarm condition. However, if the distributed bypass system is unable to return to Normal mode following an automatic transfer to Bypass mode, an alarm condition is recorded.

Bypass may also be used when the UPSs or UPMs in the system must be shut down to perform routine maintenance or repairs.

In the Parallel Redundant (N+1 arrangement, the bypass circuitry in each UPS operates to support the applied loads on bypass. If the UPSs are in NORMAL and one UPS trips offline, the remaining UPSs do not go to bypass as long as they have the capacity to support the load.

In the Parallel Capacity (N+0 arrangement, if one UPS trips offline and goes to bypass, the remaining UPSs also go to bypass, if remaining UPSs can not support the load

6.4.4 Battery mode – distributed bypass

The UPSs transfer to Battery mode automatically if a utility power outage occurs, or if the utility power does not conform to specified parameters. In Battery mode, the battery provides emergency DC power that the inverter converts to AC power.

Figure 6-13 shows the path of electrical power through the distributed bypass system when operating in Battery mode.

While in Battery mode, the UPSs sound an audible horn, illuminate a visual indicator lamp on the front panel (System Normal, On Battery, and create an entry into the alarm event history. As the battery discharges, the boost converter and inverter constantly make minute adjustments maintaining a steady output. The UPSs remain in this operating mode until the input power to the rectifier is again within the specified voltage or frequency acceptance windows.

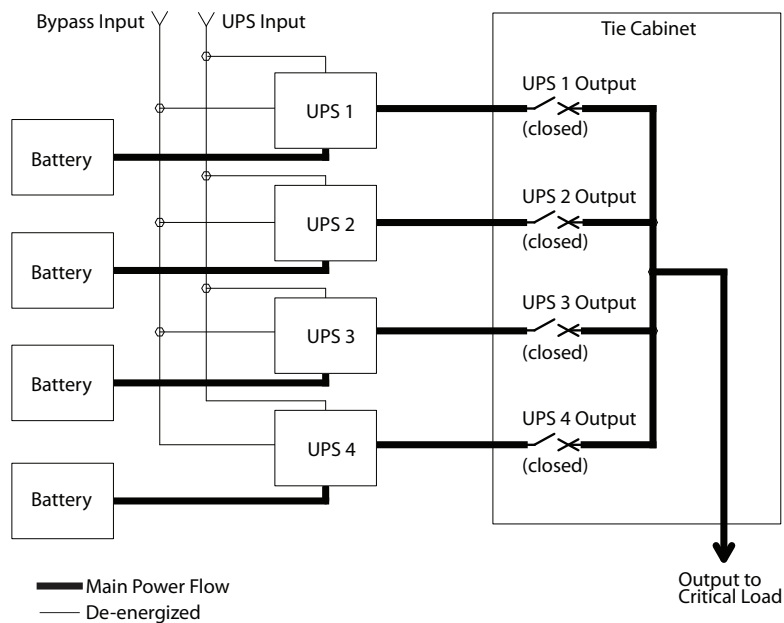


Figure 6-13. Path of current through the UPSs in battery mode – distributed bypass

If the input power fails to return or is not within the acceptance windows required for normal operation, the battery continues discharging until a DC voltage level is reached where the inverter output can no longer support the shared loads. When this event occurs, each UPS issues another set of audible and visual alarms that indicate a two-minute SHUTDOWN IMMINENT warning. Unless the system has a valid AC input soon, redundant UPSs begin shutting down until there are no longer enough UPSs online to support the connected load. When this event occurs, the system shuts down. If the bypass source is available, the system transfers to bypass instead of shutting down.

If at any time during the battery discharge the AC input power becomes available again, each rectifier turns on, assumes the inverter load from the batteries, and begins recharging the batteries. At this point, the UPS returns to Normal mode. Depending on the total load and the duration of the battery discharge, battery and rectifier input current limit alarms may be seen for a short time due to the current required to recharge the batteries.

6.5 Multiple UPS distributed bypass system oneline configurations

The distributed bypass system oneline drawings in this section show the simplified internal structure of the UPS, battery supply, and basic maintenance bypass in a multiple UPS configuration. These onelines do not show each UPM in the UPSs, but represent each UPS in the distributed bypass system. The internal structure of each UPS is shown in Figure 6-6 through Figure 6-9 starting on page 77.

Oneline Drawing	UPS Model	Voltage		System Type
		Inpu	Outpu	
Figure 6-14 on page 89	9395P 1200 kVA	400	400	Multiple UPS - Distributed Bypass 1+1 and 2+0 Configurations
Figure 6-15 on page 90	9395P 500 kVA	400	400	Multiple UPS - Distributed Bypass 2+1 and 3+0 Configurations
Figure 6-16 on page 91	9395P 600 kVA	400	400	Multiple UPS - Distributed Bypass 3+1 and 4+0 Configurations

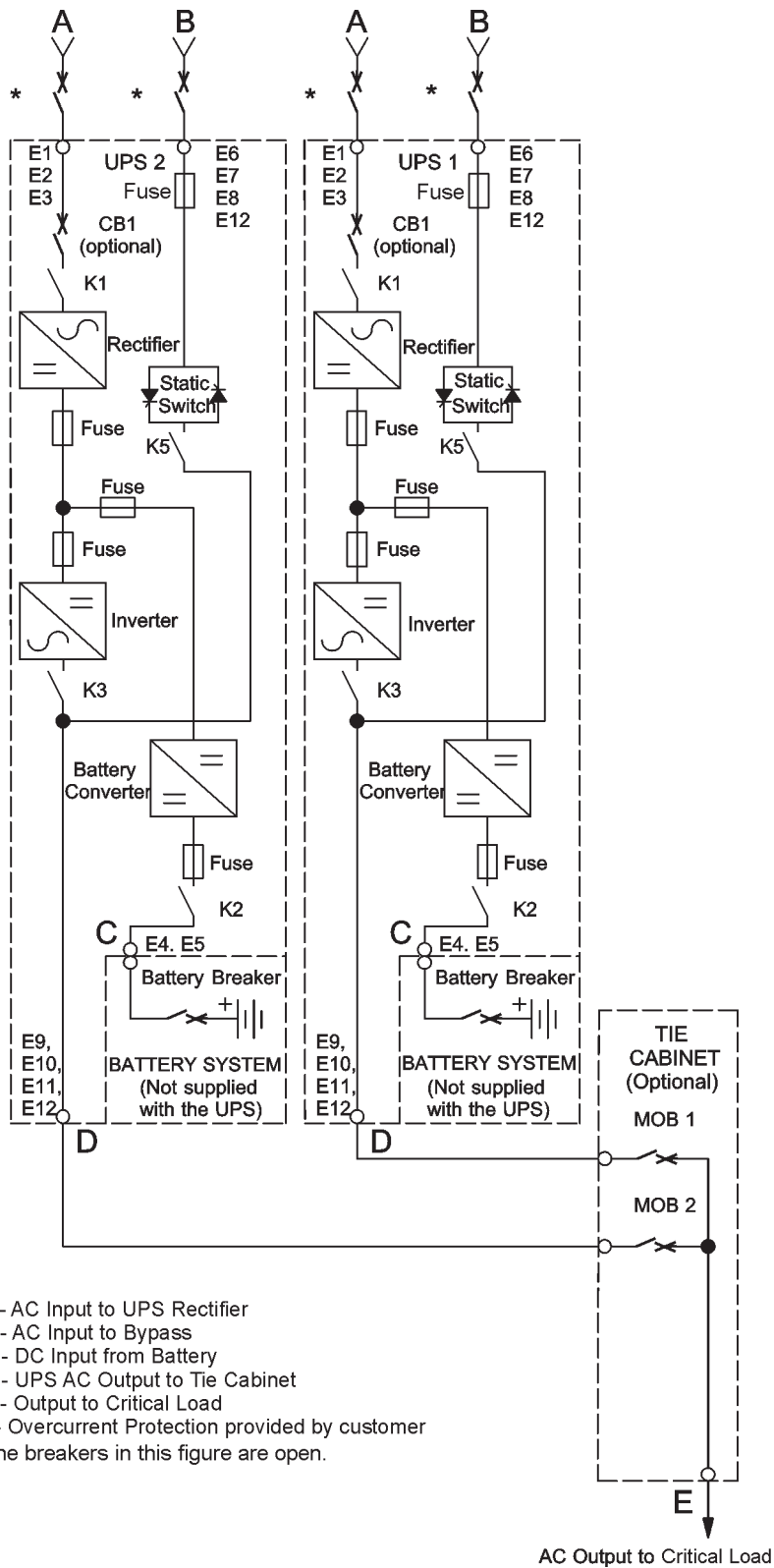


Figure 6-14. Typical distributed bypass system (1+1 and 2+0 configurations)

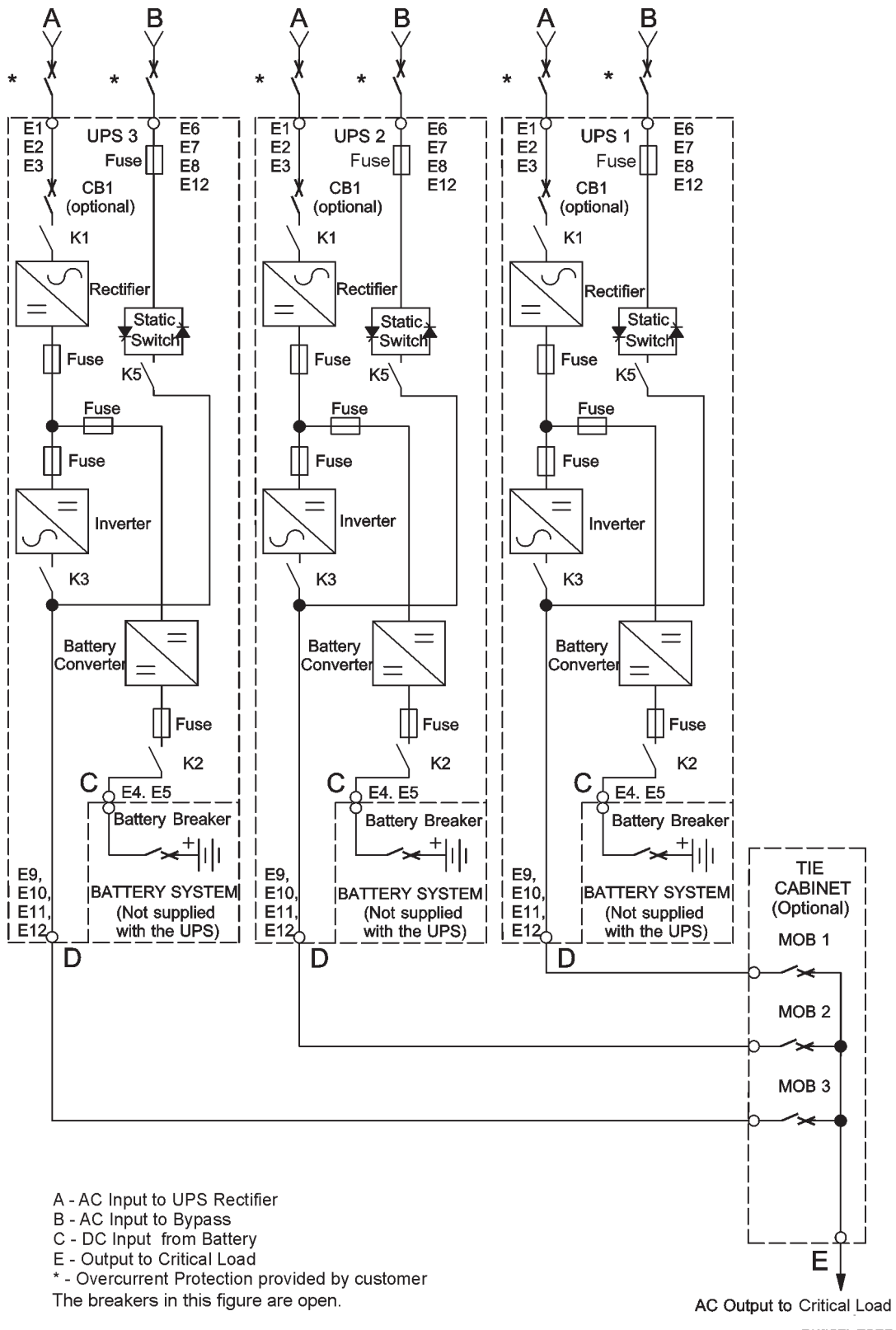


Figure 6-15. Typical distributed bypass system (2+1 and 3+0 configurations)

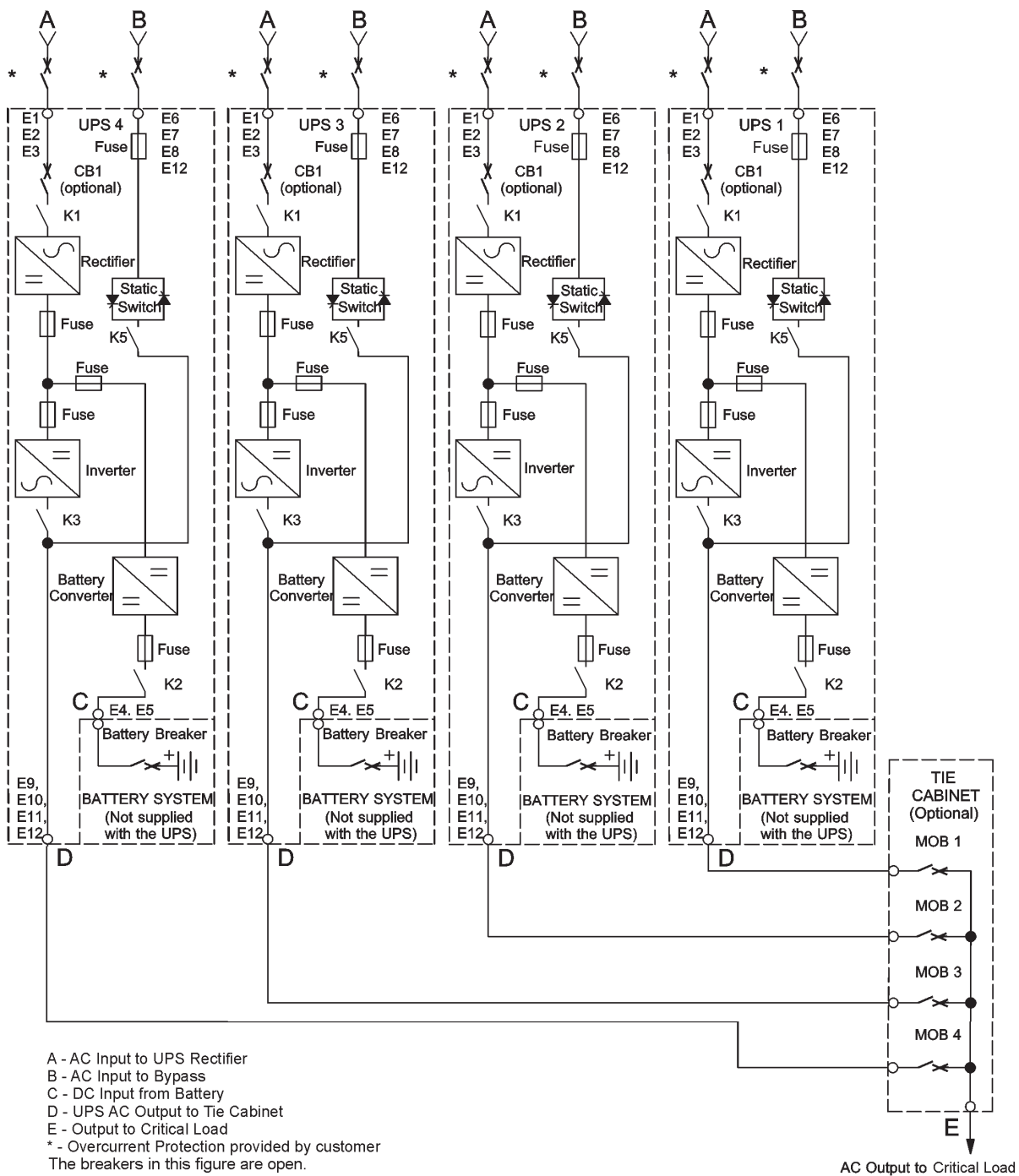


Figure 6-16. Typical distributed bypass system (3+1 and 4+0 configurations)

7 UPS operating instructions

This section describes how to operate the UPS using the color touchscreen control. Refer to Section 7.1 or Section 7.2 for the appropriate item.



Before starting the UPS, ensure all installation tasks are complete and a preliminary startup has been performed by authorized service personnel. The preliminary startup verifies all electrical interconnections to ensure the installation was successful and the system operates properly.

Read this section of the manual and have thorough understanding of UPS operation before attempting to operate any of the controls.

The UPS displays two minutes of battery runtime at the initial startup. After a 24-hour charging period, the UPS automatically runs a battery test and the correct battery runtime displays.

7.1 UPS controls and indicators

The controls and indicators identified and described in this section are used to control and monitor UPS operation. Figure 7-1 shows the UPS controls and indicators.

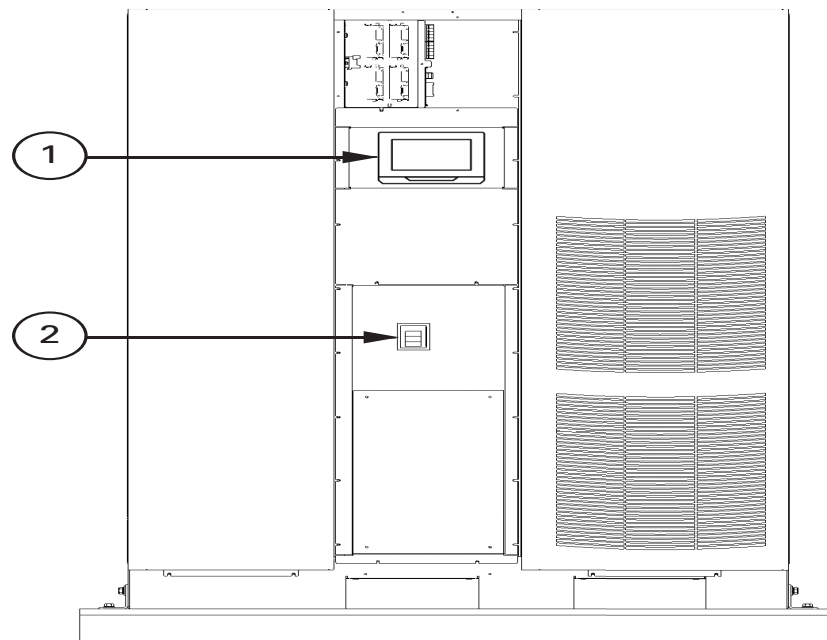


Figure 7-1. Eaton 9395 500 kVA UPS controls and indicators

1	Control panels
2	AC input breaker CB1 (optional)

7.1.1 Control panel

The control panel is used to set up and control the UPS, and to monitor UPS operation. For a description of the UPS control panel functions, see Section 7.4.

7.1.2 Circuit breakers

The optional circuit breaker (CB1) is used to control the AC input to the UPS rectifier. CB1 has three positions: ON, OFF and tripped. Before it can be set to ON from the tripped position, it needs to be set to OFF position.

7.2 Color Touchscreen Control Panel

This section describes how the various screens are used to control and monitor UPS operation. The following figure shows the location of the optional color touchscreen control panel (1 on the front door of the UPS. For a description of the control panel, see Section 7.4 "Using the Color Touchscreen Control Panel".

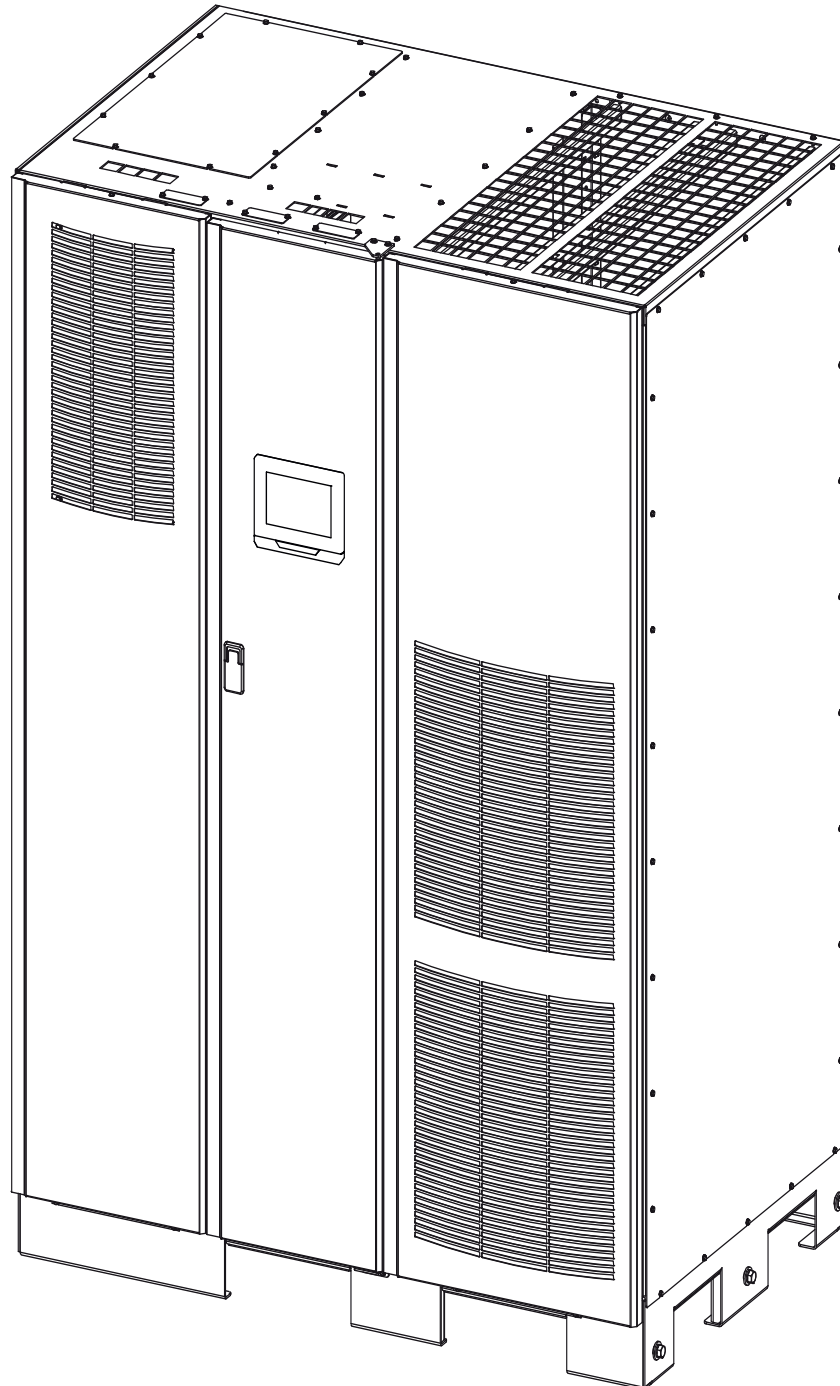


Figure 7-2. Color Touchscreen Control Panel Location (Typical)

7.3 Using the Color Touchscreen Control Panel

The following sections describe the UPS control panel and how to monitor and control UPS operation.

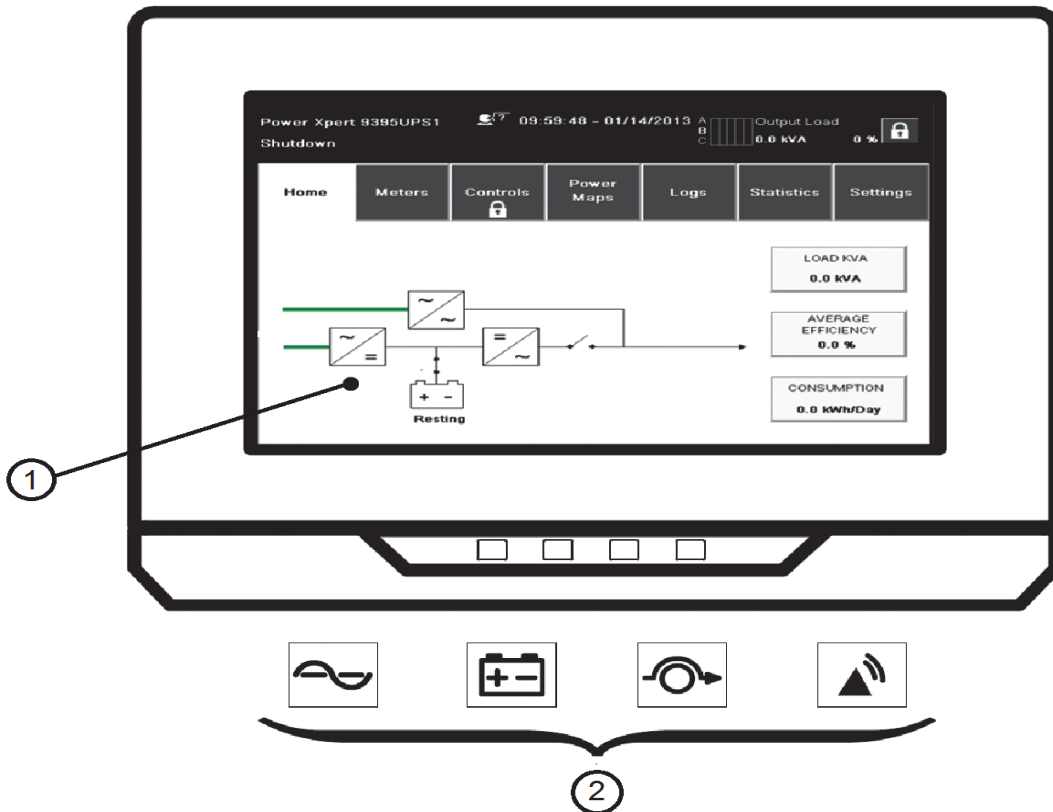


Figure 7-3. UPS Color Touch screen Control Panel (Typical)

The color touchscreen control panel consists of:

- A color liquid crystal touch screen display (1)
- A horizontal row of LED indicators (2)

Before system power up, the panel displays a system status screen similar to the one shown in the figure above.

When the unit powers up, the screen displays as shown in the figure above. When power is applied to the system, the display advances to the Sign In screen shown in Figure "Parts of the Touch Screen".

7.3.1 Status Indicators

The symbols on the bottom of the control panel are status indicators. These colored light emitting diode (LED lamps work with the alarm horn to let you know the operating status of the UPS. See the table below.





Indicator	Status	Descriptions
 Green	Lit Steady	The UPS is in Online mode, operating normally. The power module is supplying power to the critical load.
 Yellow	Lit Steady	The UPS is in Battery mode. Because Battery mode is a normal condition of the UPS, the Online indicator also remains illuminated.
 Yellow	Lit Steady	The UPS is in Bypass mode. The critical load is supported by the bypass source. The Online indicator is not illuminated when the system is in Bypass mode.
 Red	Lit Steady	The UPS has an active alarm and requires immediate attention. The screen shows the highest priority active alarms. All alarms are accompanied by an audible horn. To silence the horn, press any control panel pushbutton once. The Alarm indicator may be illuminated along with other indicators.
	Lit Flashing	There is a new UPS alarm condition. The indicator flashes until acknowledged by pressing anywhere on the control panel once.

Table 7-1: Status Indicators

7.3.2 Using the Touch Screen

The touch screen control panel provides an operator interface with the UPS system. The figure below identifies the display areas discussed in the following sections.

Touching anywhere on the screen brings up the Sign In Request pop-up. Touch the X in the upper right corner of the pop-up, then touch the padlock symbol in the upper right corner to obtain the password request pop-up (see Figure "Sign In or Password Request Screen").

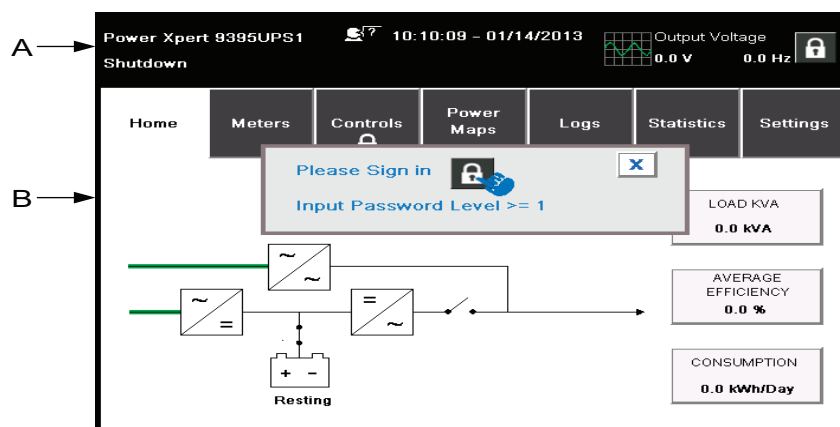


Figure 7-4. Parts of the Touch Screen

A The UPS status area automatically displays the Eaton model number, current time and date, active alarms, active notices, and load percent and battery run time for the UPS. If the Environmental Monitoring Probe is installed, the temperature and humidity sensed by the probe will also be displayed.

The small head symbol between the system model and time allows the operator select a different language from an imbedded list.

The top line of the display blinks while scrolling when the system needs attention. Some notices and alarms may be accompanied by an audible horn. To silence the horn, touch anywhere on the control panel once. For more information about alarms and notices, see Section 7.3.12.

B The information area contains data about UPS status and operations.

C After touching the padlock in the upper right corner, the numerical keypad appears to allow entry of the system access pass code for ooperation. See the following table.

D The padlock number indicates security level 0 - 4.

E ENTER button.

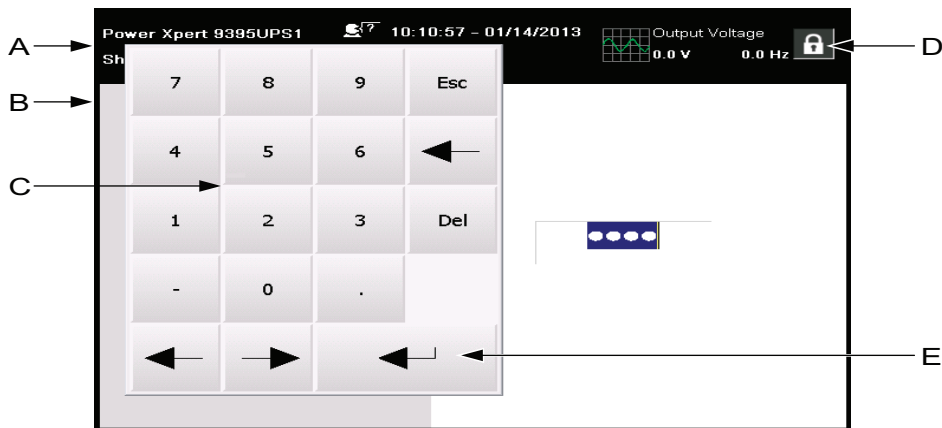


Figure 7-5. Sign In or Password Request Screen

Leve	Name	Passcode	Description
0	USER	NONE	USER
1	CONTROL	1111	USER + CONTROL
2	CONFIGURATION	0101	USER + CONTROL + CONFIGURATION
3	SERVICE	Service Only	USER + CONTROL + CONFIGURATION + SERVICE

Table 7-2:Security Levels and Functions

7.3.3 Using the Main Menu Buttons

The UPS menu bar shown in the figure below allows you to display data in the information area to help you monitor and control UPS operation. The following table shows the basic menu structure.

Menu Option	Description
HOME	Displays the system status both graphically and within the info bar.
METERS	Displays performance meters for the system or critical load.

Menu Option	Description
CONTROLS	Allows access to various system performance control screens.
POWER MAPS	Allows operator to observe system power flow.
LOGS	Allows access to system information logs.
STATISTICS	Allows access to see system specific operation values.
SETTINGS	Allows access to various screen controlled variables for system operation. Level 0, 1 and 2 are for user/operator. Level 3 is used only by service personnel.

Table 7-3: Display Function Menu Map

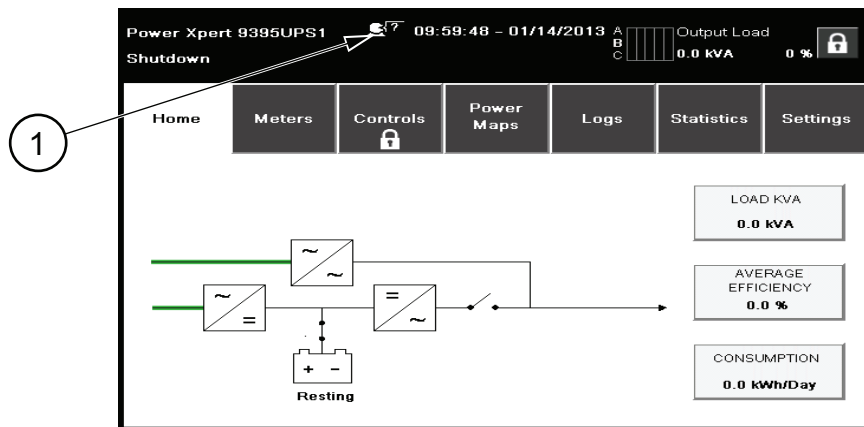


Figure 7-6. Home Screen

Number 1 in the figure above indicates the icon that allows selection of alternate language.



NOTE

On all screens, Black lines indicate NO power flow, Green lines indicate ACTIVE power flow, Yellow lines indicate an out-of tolerance condition.



NOTE

Screens shown are representative examples of system operation. The screen data will vary based on system activity at the time of observation.

7.3.4 Power Maps Screen (Online Mode)

The following figure shows the Main Menu and Power Maps screen. The Power Maps screen displays immediately after entering the access code.

The Power Maps screen shows a real-time graphical representation of the operating status. See the following figure.

Number 1 refers to Figure "Output kVA Screen from Home Screen".

Number 2 refers to Figure "Average Efficiency Screen from Home Screen".

Number 3 refers to Figure "Consumption Screen from Home Screen".

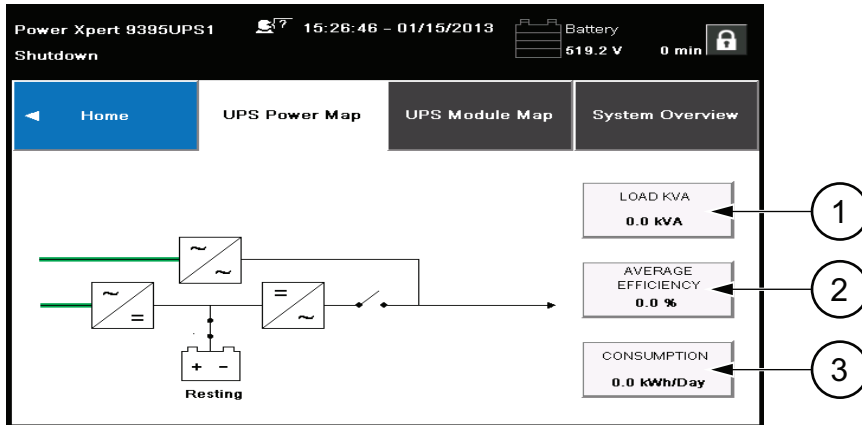


Figure 7-7. Main Menu and Power Maps Screen (Online Mode)

Touching the LOAD kVA button displays the Output kVA screen shown in the following figure.

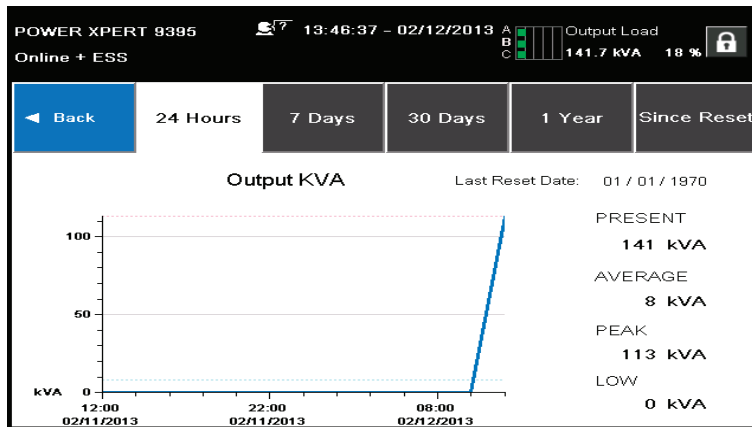


Figure 7-8. Output kVA Screen from Home Screen

Touching the AVERAGE EFFICIENCY button displays the system efficiency screen shown in the following figure.

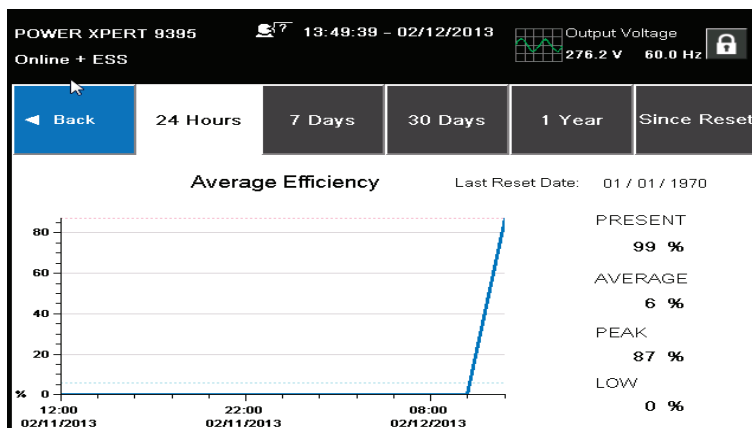


Figure 7-9. Average Efficiency Screen from Home Screen

Touching the CONSUMPTION button displays the screen shown in the following figure.

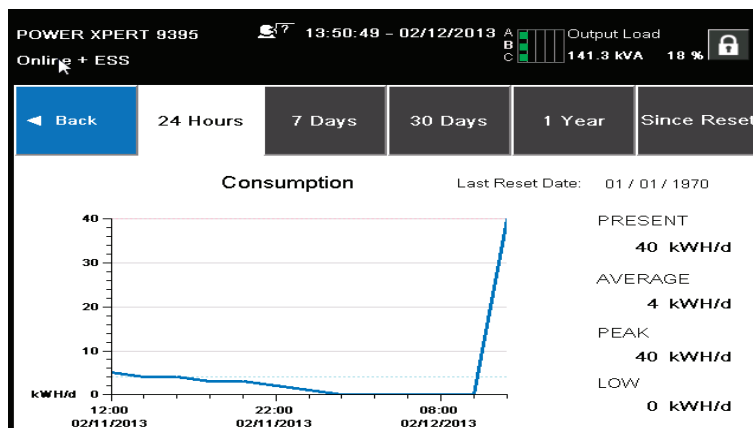


Figure 7-10. Consumption Screen from Home Screen

7.3.5 Power Maps Screen (Bypass Mode)

The following figure shows the Bypass screen. The Bypass screen displays only when the system is in Bypass mode.

The Bypass screen shows a real-time graphical representation of the operating status.

Touching any of the buttons on the right side of the screen takes the user directly to that information screen.

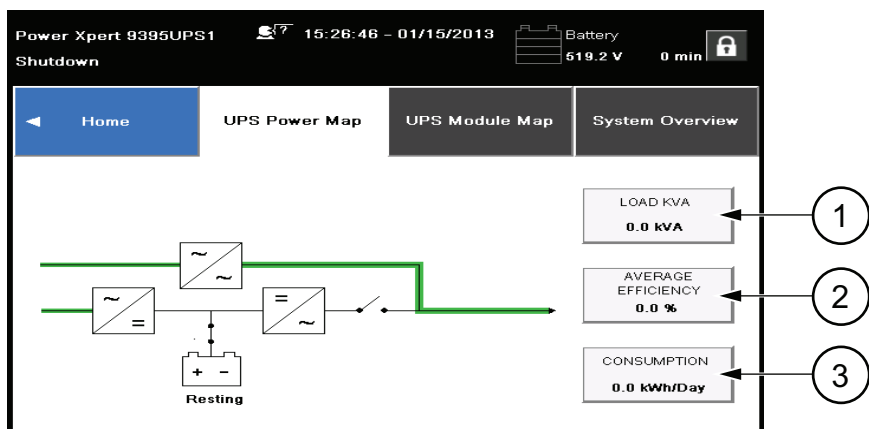


Figure 7-11. Bypass screen

Number 1 in the figure above refers to Figure "Output kVA Screen from Home Screen".

Number 2 refers to Figure "Average Efficiency Screen from Home Screen".

Number 3 refers to Figure "Consumption Screen from Home Screen".

7.3.6 Command Confirmation Pop-Up

The figure below is an example of a command request confirmation pop-up screen. This type of pop-up allows the user to confirm that the requested command is valid.

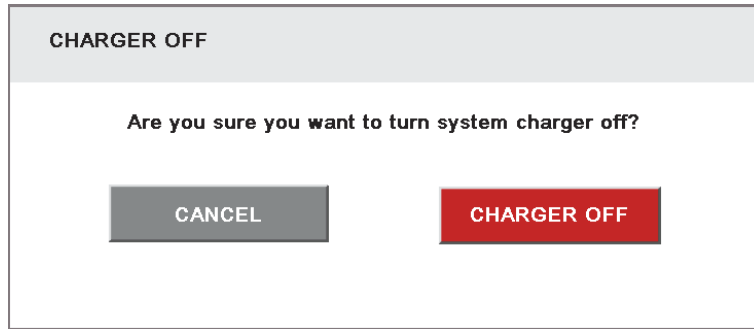


Figure 7-12. Typical Command Confirmation Screen (Charger Off)

7.3.7 Meters Summary Screen

The following figure shows the Meters Summary screen. This screen allows selection of the various metering readout functions of Input, Output and overall System status.

The three left items in the OVERVIEW section of the screen are not active buttons but are status detail panels. They show individual conditions of the UPS at that time.

The two items at the far right of the OVERVIEW section are active buttons. They can be selected to show a profile of efficiency or consumption over various time periods of 24 hours, 7 days, 30 days, or 1 year. This is true of all the meters screens listed in the top section.

Number 1 in the following figure refers to Figure "Average Efficiency Screen from Home Screen".

Number 2 refers to Figure "Consumption Screen from Home Screen".

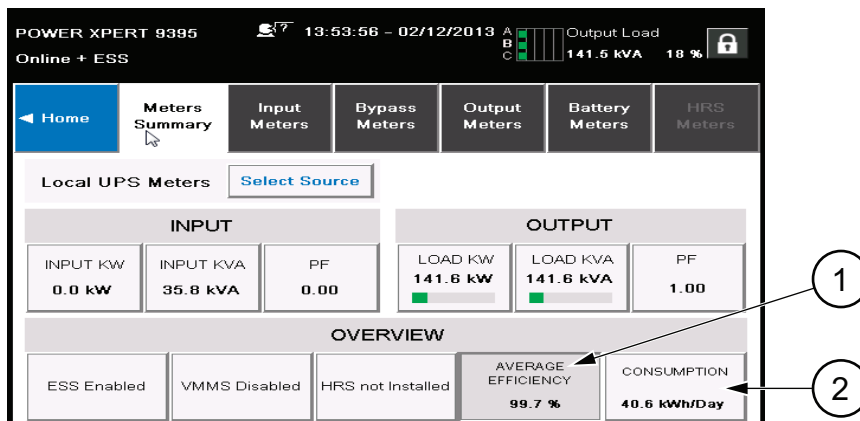


Figure 7-13. Meters Summary Screen

7.3.8 Input Meters Screen

The following figure shows the Input Meters screen. This screen displays the individual phase and total power values of the system.

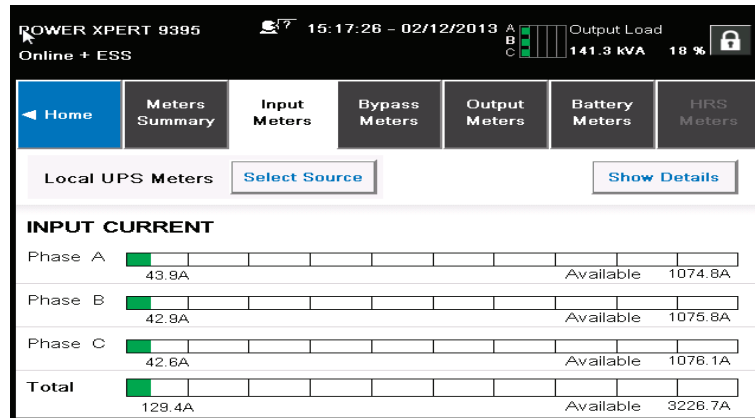


Figure 7-14. Input Meters Screen

The Bypass Meters Screen shown in the following figure displays values pertaining to the Bypass conditions.

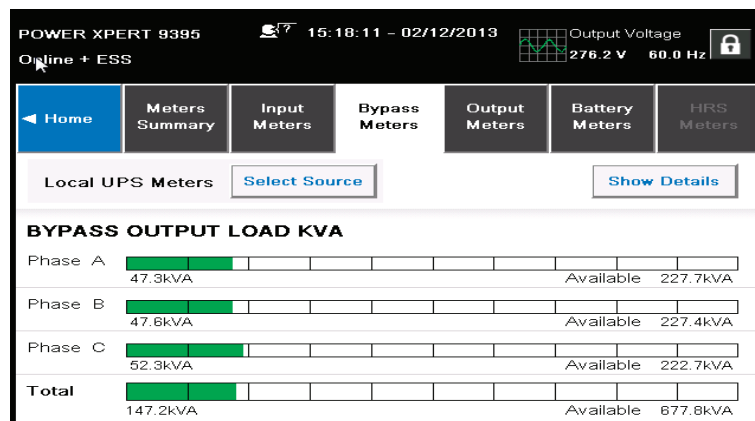


Figure 7-15. Bypass Meters Screen

The Output Meters Screen shown in the following figure displays values pertaining to the system output.

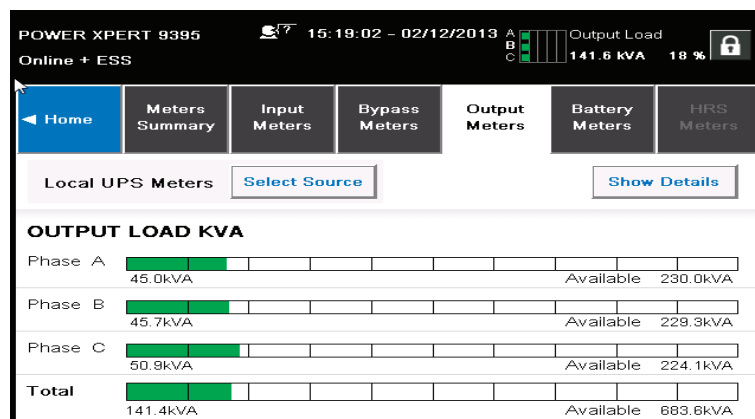


Figure 7-16. Output Meters Screen

7.3.9 Input Meters Detail Screen

The following figure shows the Input Meters detail screen. This screen displays the individual values of the system in additional detail.

The Bypass, Output, and Battery meters screens display similar values relevant to their monitoring of the system.

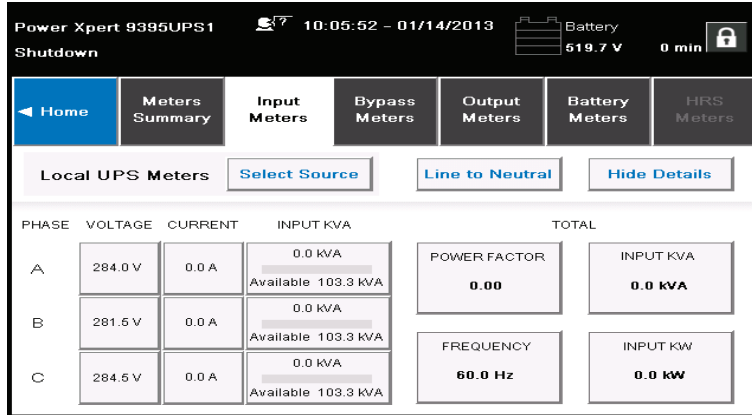


Figure 7-17. Input Meters Detail Screen

The Select Source screen shown in the following figure allows the operator to choose the individual source for system readings.

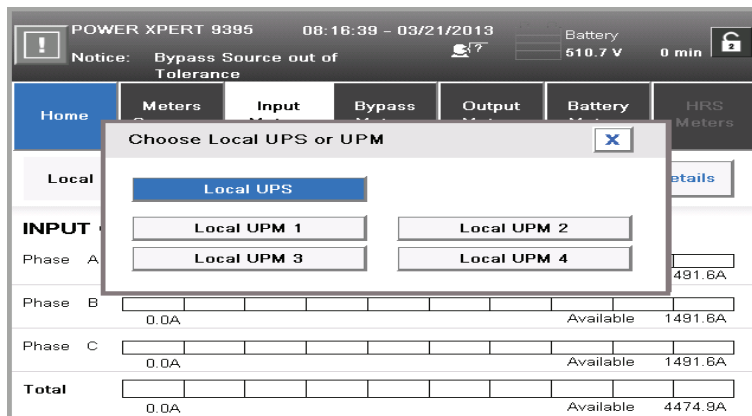


Figure 7-18. Select Source Screen

7.3.10 Battery Meters Screens

The next figures show the Battery Meters basic screen and the Battery Log access screen.

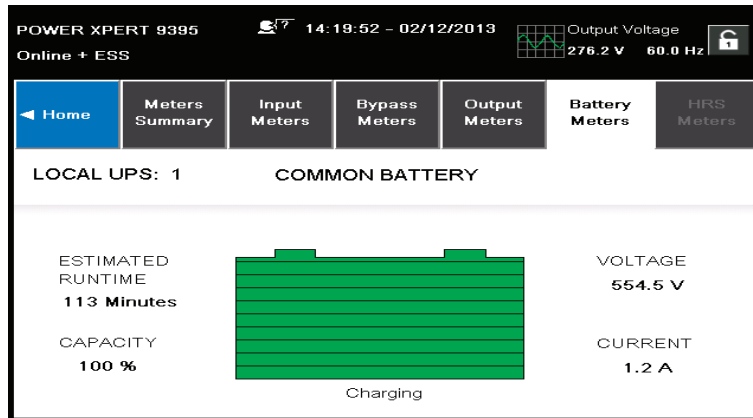


Figure 7-19. Battery Meters Screen

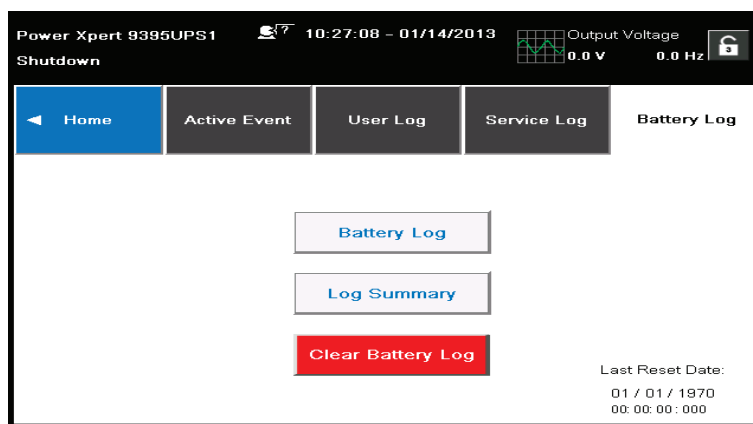


Figure 7-20. Battery Log Screen

The following figures show the Battery Log Detail screen and the Battery Log Summary screen.

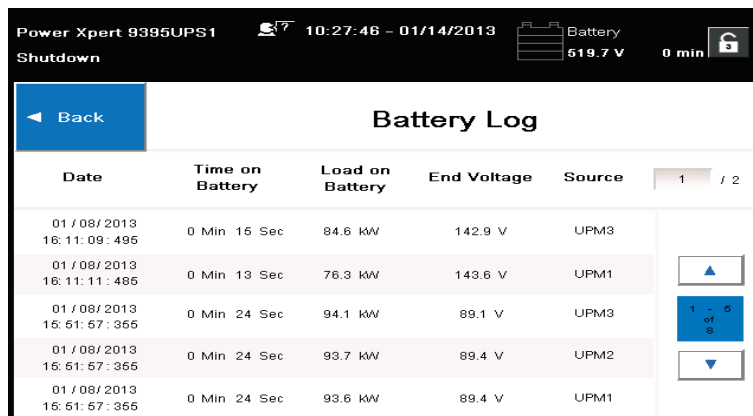


Figure 7-21. Battery Log Detail Screen

Source	<1 min	1-4 min	>4 min	Average Time	Total Time
UPM1	2	1	0	0 Min 35 Sec	1 Min 46 Sec
UPM2	1	1	0	0 Min 56 Sec	1 Min 53 Sec
UPM3	2	1	0	0 Min 37 Sec	1 Min 51 Sec

Figure 7-22. Battery Log Summary Screen

7.3.11 System Events Main Screen

When the UPS system is running in Online mode, it continually monitors itself and the incoming utility power. In Battery or Bypass modes, the UPS may issue alarms to display exactly what event caused the change from Online mode. System events on the UPS can be indicated by horns, lights, messages, or all three. See the following figure.

Event name	Type
Batteries Disconnected	Alarm
Bypass On	Notice
Close Battery Switchgear K2	Notice

Figure 7-23. System Events Screen

7.3.12 User Log

Select LOGS from the menu bar on the main menu screen to look at the active events screen. This screen shows any currently active alarms, notices, or commands.

- System Event Horns - The system event horn beeps to alert an operator that an event needing attention is taking place. The horn cycles at a half-second rate.
- System Event Indicators - The status indicators on the UPS control panel work with the event horn to let the operator know when the UPS is operating in any mode other than normal. Only the ON indicator is visible during normal UPS system operation. The other indicators illuminate to indicate alarms or events. When an alarm occurs, first check these indicators to see what type of event has taken place. For descriptions of the status indicators, see Table 7-1 on page 96.

- System Event Messages - When a system event occurs, a message appears on the LCD in the UPS status area. This message is also written to the Active Events Log and may be added to the History Log. The messages are divided into four categories: alarms, notices, status, and commands.

The user log window (1) allows the operator to enter any number up to the number shown to the right of the box. Each window shows five events. The operator can also use the UP/DOWN arrows above and below the blue field (2) showing the number of events in the log. See the following figure.

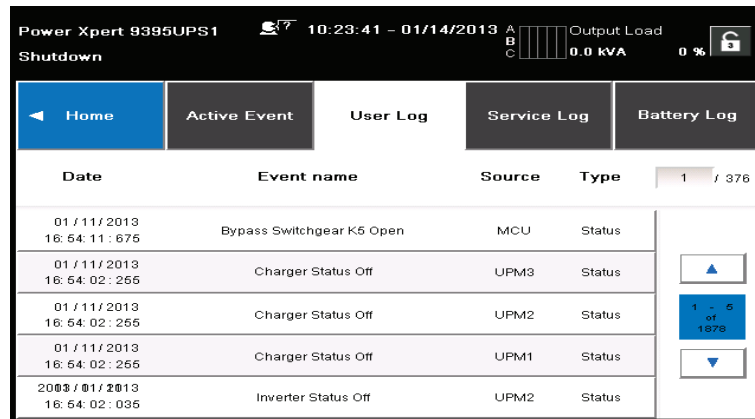


Figure 7-24. User Log Screen

Selecting an event opens the Event Detail screen shown in the following figure. This screen details the specifics of the event for the user to see.

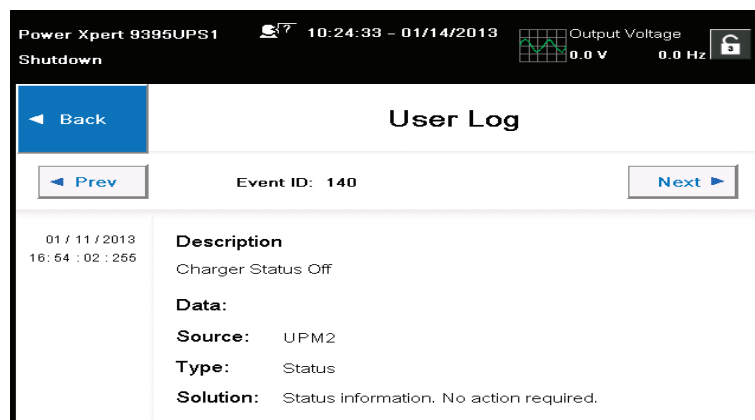


Figure 7-25. User Log Detail Screen

7.3.13 System Status Screen and Controls

Press the SYSTEM CONTROLS pushbutton on the main menu bar to display the System Status screen. Online operation, transfer to bypass, UPM start up and shutdown, and LOAD OFF commands are controlled through this screen. In addition, the screen displays the current status of the UPS, indicates whether the UPS is in Maintenance Bypass or Bypass, and displays the state of the UPM. The figure below shows the System Status screen.

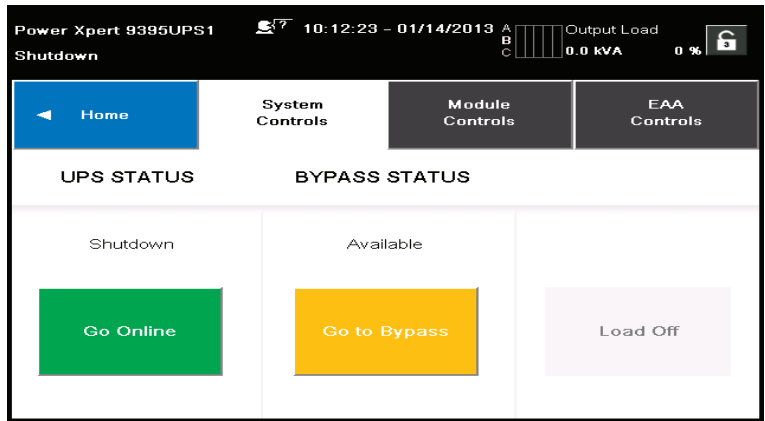


Figure 7-26. System Status Screen

The following figure shows the Module Controls screen. This screen allows control of the individual modules within the system. It also gives their values and status.

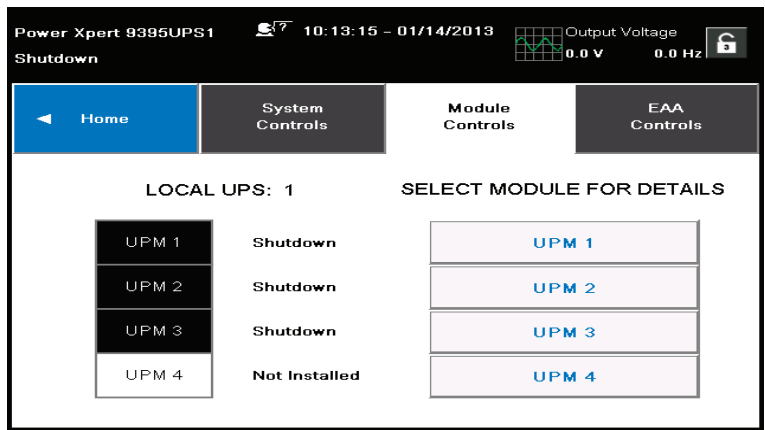


Figure 7-27. Module Controls Screen

The following figure shows the Module Control Detail screen. By selecting any of the modules shown on the previous screen, the user can observe full details of an individual module. It also allows the user to move through various modules and modes while within this screen.

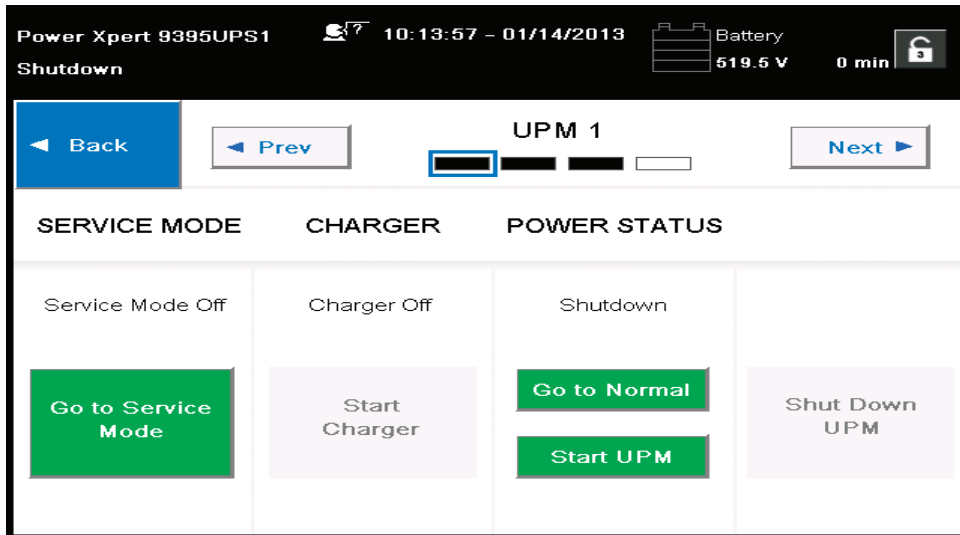


Figure 7-28. Module Control Detail Screen

The Metering Method screen allows the operator to select line-to-line or line-to-neutral monitoring values. See the following figures.

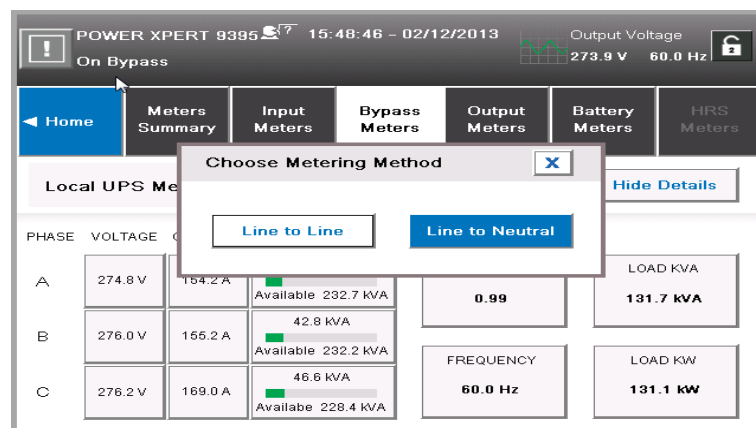


Figure 7-29. Online Mode Metering Method Option Screen

Number 1 in the following figure points to an icon that indicates an Event (System or Bypass).

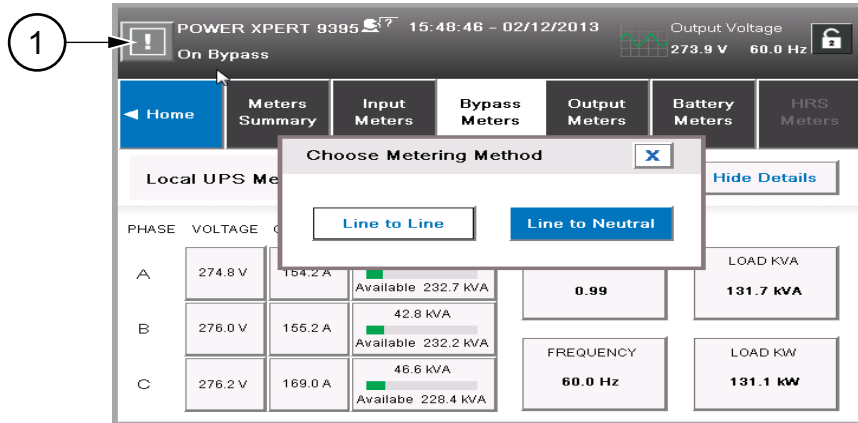


Figure 7-30. Bypass Mode Metering Method Option Screen

7.3.14 Settings Screen

The screen shown in the following figure gives the operator access to basic system information such as serial number, installed firmware version, etc. Touching the CLEAN SCREEN button disables the screen for 30 seconds to allow the user to safely clean the screen without affecting operation.

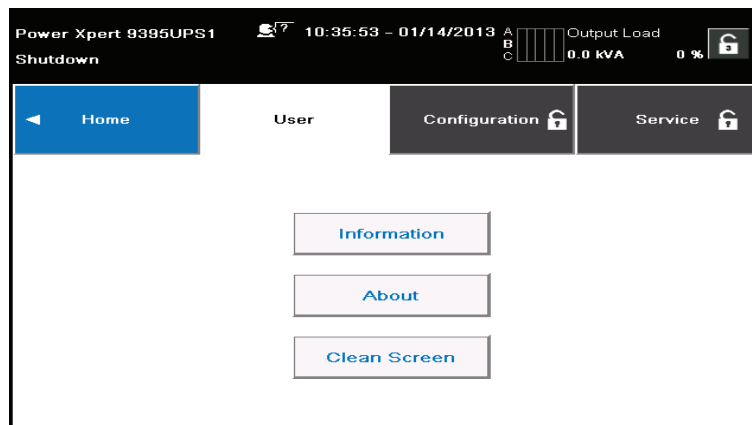


Figure 7-31. Settings Screen

7.3.15 Configuration Options Screen

The screen shown in the following figure allows the operator to affect changes to various system values.

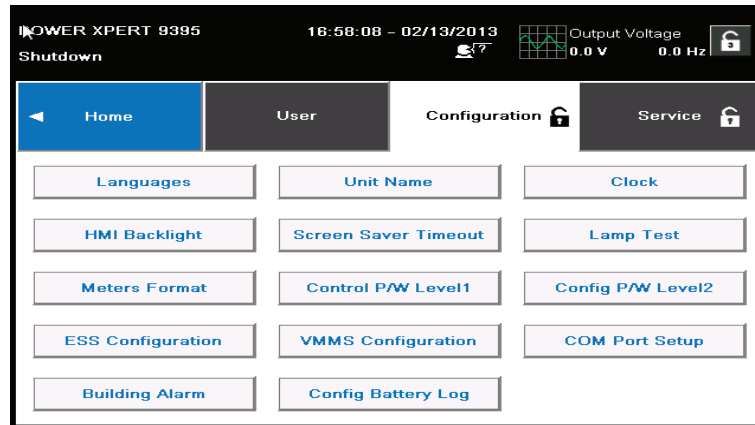


Figure 7-32. Configuration Options Screen

7.3.16 Energy Advantage Architecture (EAA Screen)

This screen shown in the following figure allows the operator to activate the various energy saving and power efficiency modes of the system.

The various Energy Advantage Architecture operations are described in Section 1.2.11 and in Section 1.2.12.

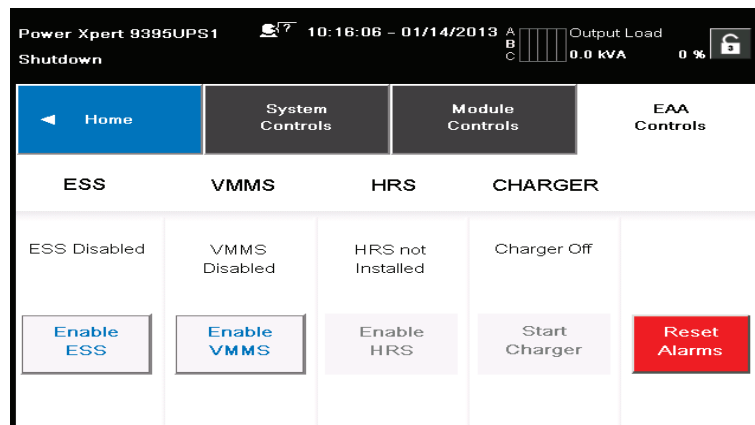


Figure 7-33. Energy Advantage Architecture (EAA Screen)

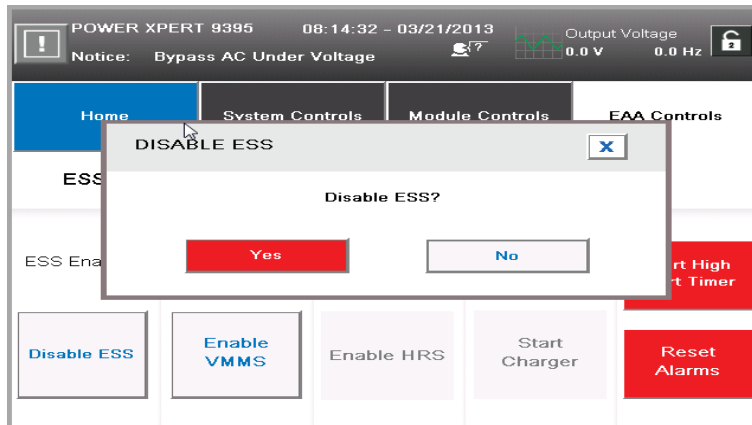


Figure 7-34. Disable ESS Screen

The screen shown in the previous figure asks the operator to verify disabling the ESS mode running at that time.

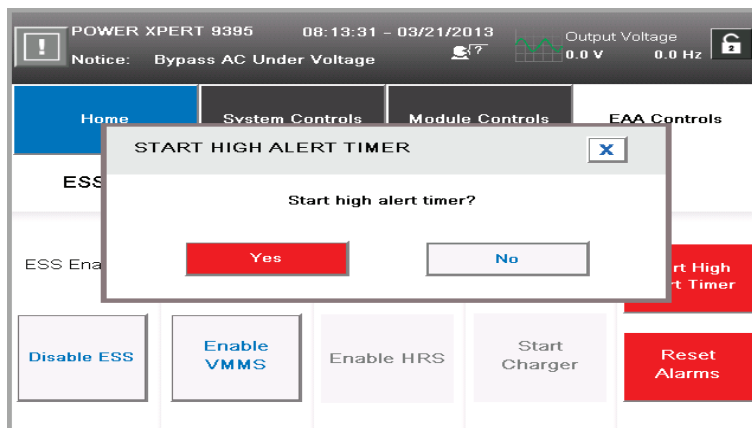


Figure 7-35. High Alert Timer Screen

The screen shown in the figure above asks the operator if they want to start the High Alert mode timer.

7.3.17 Statistics Basic Screen

The screen shown in the following figure allows the operator to query the system for various operational statistics such as shown in the second figure ("Statistics Data Detail Screen" in this subchapter).

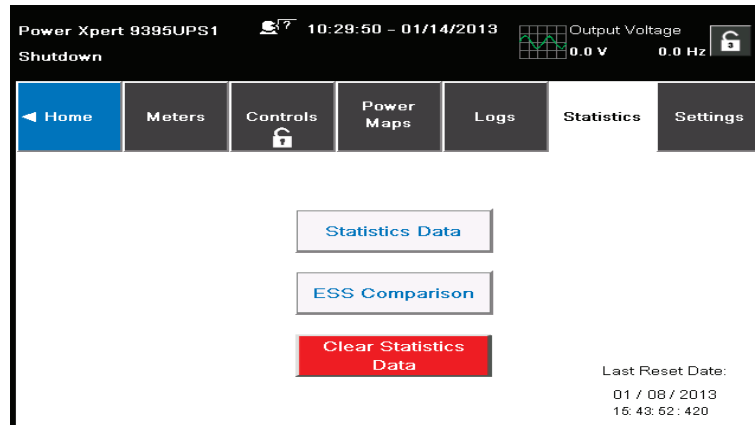


Figure 7-36. Statistics Basic Screen

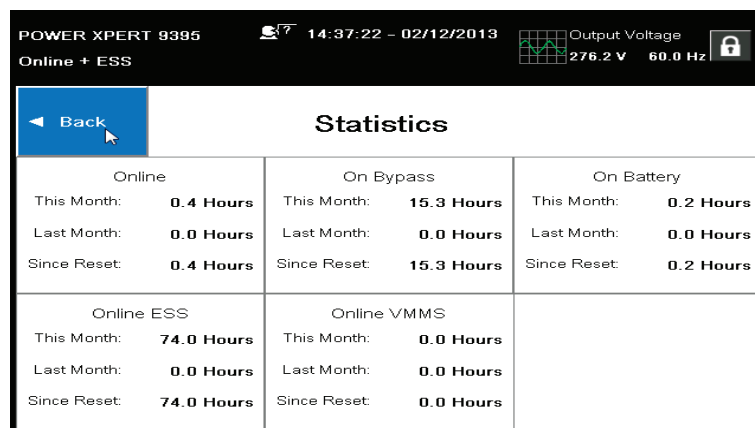


Figure 7-37. Statistics Data Detail Screen

7.3.18 ESS Comparison Screen

The screen shown in the following figure allows the operator to visually obtain EAA mode efficiency values.

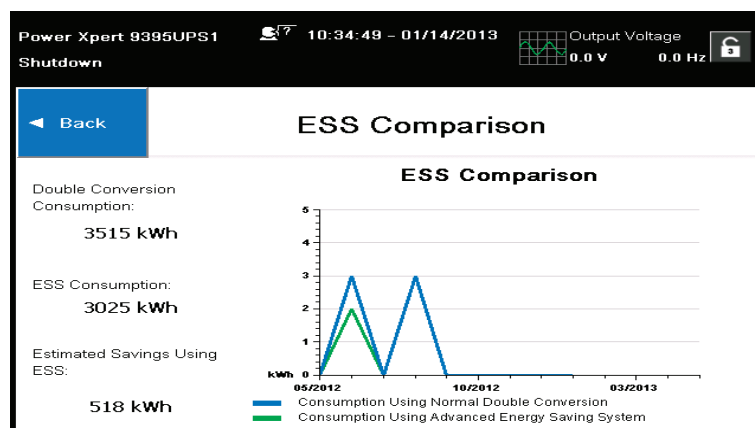


Figure 7-38. ESS Comparison Screen

7.3.19 UPS Module Map Screen

The screen shown in the following figure allows the operator to control the individual UPMs.

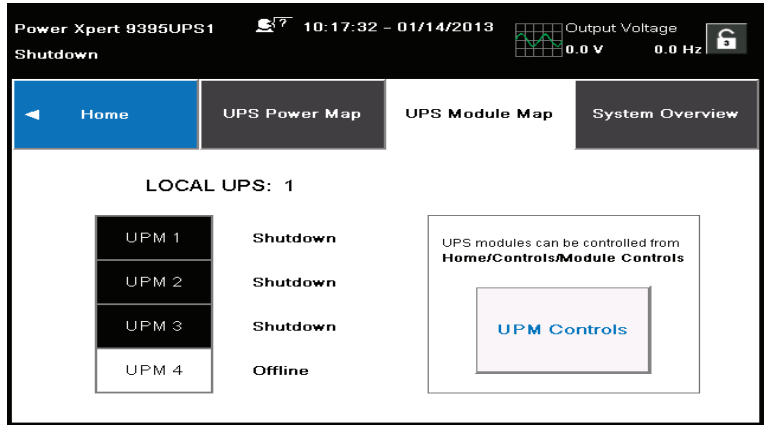


Figure 7-39. UPS Module Map Screen

7.3.20 System Overview Screen

The screen shown in the following figure displays values for all UPS and UPM parameters.

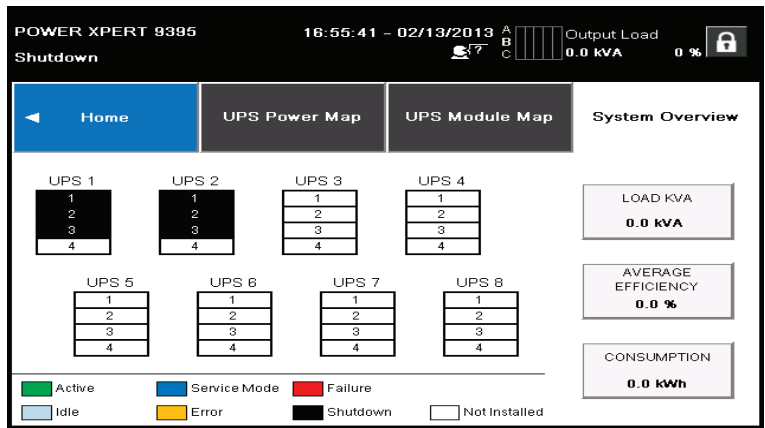


Figure 7-40. System Overview Screen

7.4 UPS Operation using the Color Touchscreen Control Panel



NOTE

The Energy Saver System mode commands are displayed only if installed at the factory or by an Eaton Customer Service Engineer.



NOTE

The Variable Module Management System and Energy Saver System modes are mutually exclusive. If the Variable Module Management System mode is enabled, the Energy Saver System mode commands will not be displayed.



NOTE

If the touch screen fails to respond, open the front door and depress the RESET button located on the bottom of the screen mounting assembly. The screen will reboot but NOT affect system status or operation.

7.4.1 Starting the UPS in Online mode

To start the UPS system:

1. Unfasten the front door latch and swing the door open. (Refer to Section 7.3 and Section 7.4 for UPS operation instructions.)
2. If the UPS contains input breaker CB1, verify that input breaker CB1 is open.
3. Close the UPS input feeder circuit breaker.
4. Close the UPS Bypass input feeder circuit breaker.
5. If the UPS contains input breaker CB1, close input breaker CB1.
6. Close the door and secure the latch.
7. Observe the UPS control panel display becoming active, indicating logic power.
8. Press the LOCK icon on the main screen. the Sign In screen is displayed. Use operator password to log in (factory default password is 0101).
9. On the System Status screen, verify the UPS status is OK and the UPM status is OFFLINE.
10. Close the battery breaker.
11. Verify no alarms are active on the EVENTS LOG screen.
12. On the System Status screen, select the UPS CONTROLS command.
13. On the UPS Control Command screen, select GO ONLINE.
If Auto Bypass is enabled (factory default, the critical load is immediately supplied by the bypass source, in Bypass mode, until the inverter turns on and the UPS transfers to Online mode. The status indicator on the UPS control panel indicates the UPS is in Bypass mode. If Auto Bypass is not enabled, the UPS output remains off until the UPS transfers to Online mode.
14. The UPS START UP screen appears.

The rectifier and inverter turn on. The inverter continues to ramp up to full voltage.

When the inverter reaches full voltage, the UPS output contactor K3 closes and the static switch turns off. Power is now supplied to the Critical load in Online mode. It takes approximately 1 minute for the UPS to achieve Online mode.

The Online status indicator is illuminated. The UPS status indicates ONLINE on the header section of the screen. The UPM status indicates ONLINE, CHARGING on the MIMIC Screen.

To activate or enable/disable any of the UPS operational modes, follow the online screen prompts.

To obtain any system information, follow the on screen prompts to get to the proper screen. The operator cannot inadvertently cause a system dump or disconnect unless they override a warning pop-up. Value or information screens DO NOT affect system operation.

7.4.2 Starting the UPS in Bypass mode

If the inverter output of the UPS is not available and the critical load needs to be energized, perform the following procedure:



CAUTION

In Bypass mode, the critical load is not protected from commercial power interruptions and abnormalities.

- 1 Unfasten the front door latch and swing the door open. (Refer to Section 7.3 and Section 7.4 for UPS operation instructions.
2. If the UPS contains input breaker CB1, verify that input breaker CB1 is open.
3. Close the UPS input feeder circuit breaker.
4. Close the UPS bypass input feeder circuit breaker.
5. If the UPS contains input breaker CB1, close input breaker CB1.
6. Close the door and secure the latch.
7. Observe the UPS control panel display becoming active, indicating logic power.
8. Press the LOCK icon on the main screen. The Sign In screen is displayed. Use operator password to log in (factory default password is 0101).
9. Press CONTROLS on the main screen. On the SYSTEM CONTROLS screen, select GO TO BYPASS. Command confirmation pop-up screen shows up asking confirmation for the action. Select YES. After 5 seconds the critical load is supplied by the bypass source, in Bypass mode.
10. The UPS is now operating in Bypass mode and the BYPASS status indicator is illuminated.

7.4.3 Starting the UPMs

To start the power module without transferring the critical load to Normal mode:

- 1 Unfasten the front door latch and swing the door open.
2. If the UPS contains input breaker CB1, verify that input breaker CB1 is open.
3. Close the UPS input feeder circuit breaker.
4. Close the UPS Bypass input feeder circuit breaker.
5. If the UPS contains input breaker CB1, close input breaker CB1.
6. Close the door and secure the latch.
7. Observe the UPS control panel becoming active, indicating logic power.
8. Press the LOCK icon on the main screen. The Sign In screen is displayed. Use operator password to log in (factory default password is 0101).
9. Select CONTROLS on the main screen. SYSTEM CONTROLS screen is displayed.
10. Select MODULE CONTROLS. All the installed UPMs and their status can be seen here.
11. On the MODULE CONTROLS screen, select UPM1.
12. Select START UPM to start UPM1. Command confirmation pop-up screen shows up asking confirmation for the action. Select YES.
13. The UPM1 rectifier and inverter will turn on and the UPM goes to IDLE state. The UPS status changes to READY. The UPS is ready to transfer to the Normal mode and supply the critical load.

14. Repeat steps 10 through 12 by choosing another UPM until all the UPMs are in IDLE state.



NOTE

To transfer to Normal mode after starting individual UPMs, follow the procedure in Section 7.4.9.

7.4.4 Starting a single UPM

To start a single UPM:

1. Unfasten the front door latch and swing the door open.
2. If the UPS contains input breaker CB1, verify that input breaker CB1 is open.
3. Close the UPS input feeder circuit breaker.
4. Close the UPS Bypass input feeder circuit breaker.
5. If the UPS contains input breaker CB1, close input breaker CB1.
6. Close the door and secure the latch.
7. Observe the UPS control panel becoming active, indicating logic power.
8. Close the battery breaker.
9. Press the LOCK icon on the main screen. The Sign In screen is displayed. Use operator password to log in (factory default password is 0101).
10. Select CONTROLS on the main screen. SYSTEM CONTROLS screen is displayed.
11. Select MODULE CONTROLS. All the installed UPMs and their status can be seen here.
12. On the MODULE CONTROLS screen, select the desired UPM.
13. Select GO TO NORMAL to transfer the UPM to normal mode. Command confirmation pop-up screen will show up asking confirmation for the action. Select YES.

If Auto Bypass is enabled (factory default, the critical load is immediately supplied by the bypass source, in Bypass mode, until the inverter turns on and the UPS transfers to Online mode. The status indicator on the UPS control panel indicates the UPS is in Bypass mode. If Auto Bypass is not enabled, the UPS output remains off until the UPS transfers to Online mode.

7.4.5 Enable Variable Module Management System mode from the EEA controls menu

To enable Variable Module Management System mode:



NOTE

The Variable Module Management System mode commands are displayed only if enabled at the factory or by an Eaton Customer Service Engineer.

The Variable Module Management System and Energy Saver System modes are mutually exclusive. If the Energy Saver System mode is enabled, the Variable Module Management System mode commands will not be displayed.

1. Press the LOCK icon on the main screen. The Sign In screen is displayed. Use operator password to log in (factory default password is 0101).
2. Select CONTROLS on the main screen. SYSTEM CONTROLS screen opens up.
3. Select EAA CONTROLS. This screen shows if VMMS is installed or not.
4. Select ENABLE VMMS. Command confirmation pop-up screen will show up asking confirmation for the action. Select YES.

5. The UPS transfers to Variable Module Management System mode. In approximately twenty seconds the UPS calculates the required number of UPMs needed to support the load. The Online status indicator is illuminated. The UPS status indicates ONLINE +VMMS. The UPM status indicates active or idle.

7.4.6 Disable Variable Module Management System mode from the EEA controls menu

To disable Variable Module Management System mode:



NOTE

The Variable Module Management System mode commands are displayed only if enabled at the factory or by an Eaton Customer Service Engineer.

The Variable Module Management System and Energy Saver System modes are mutually exclusive. If the Energy Saver System mode is enabled, the Variable Module Management System mode commands will not be displayed.

- 1 Press the LOCK icon on the main screen. The Sign In screen is displayed. Use operator password to log in (factory default password is 0101).
2. Select CONTROLS on the main screen. SYSTEM CONTROLS screen opens up.
3. Select EAA CONTROLS. This screen shows if VMMS is installed or not.
4. Select DISABLE VMMS. Command confirmation pop-up screen will show up asking confirmation for the action. Select YES.
5. The UPS transfers to Battery mode and then to Normal mode in approximately ten seconds. The Online status indicator is illuminated. The UPS status indicates ONLINE. The UPM status indicates active.

7.4.7 Start Variable Module Management System High Alert mode from the EEA controls menu

To start High Alert mode:



NOTE

The High Alert mode commands are displayed only if enabled at the factory or by an Eaton Customer Service Engineer.

The Variable Module Management System and Energy Saver System modes are mutually exclusive. If the Energy Saver System mode is enabled, the Variable Module Management System mode commands will not be displayed.

- 1 Press the LOCK icon on the main screen. The Sign In screen is displayed. Use operator password to log in (factory default password is 0101).
2. Select CONTROLS on the main screen. SYSTEM CONTROLS screen opens up.
3. Select EAA CONTROLS.
4. Select START HIGH ALERT TIMER. Command confirmation pop-up screen will show up asking confirmation for the action. Select YES.
5. The High Alert Timer is now running (default time is 1 hour and during this time the UPS will not enter ESS or VMMS modes. After the timer has expired the alarm will clear and the UPS once again transfer to ESS / VMMS modes.

7.4.8 Transfer from Normal to Bypass mode

To transfer the critical load to Bypass mode, perform the following procedure:



CAUTION

In Bypass mode, the critical load is not protected from commercial power interruptions and abnormalities.

- 1 Press the LOCK icon on the main screen. The Sign In screen is displayed. Use operator password to log in (factory default password is 0101).
 - 2 Select CONTROLS on the main screen. SYSTEM CONTROLS screen opens up.
 - 3 Select GO TO BYPASS. Command confirmation pop-up screen will show up asking confirmation for the action. Select YES.
 - 4 The UPS transfers to Bypass mode and the critical load is immediately supplied by the bypass source. If the bypass source is not available, the power processor remains on and an alarm sounds.
 - 5 The UPS is now operating in Bypass mode and the BYPASS status indicator is illuminated. The UPM status is IDLE on the MODULE CONTROLS screen. The system is now on bypass and the UPS power processor remains on.
-



WARNING

Power is present inside the UPS cabinets.

7.4.9 Transfer from Bypass to Normal mode

To transfer the critical load to Normal mode, perform the following procedure:

- 1 If not already closed, close all the battery breakers.
- 2 Press the LOCK icon on the main screen. The Sign In screen is displayed. Use operator password to log in (factory default password is 0101).
- 3 Select CONTROLS on the main screen. SYSTEM CONTROLS screen opens up.
- 4 Select GO ONLINE. Command confirmation pop-up screen will show up asking confirmation for the action. Select YES.
- 5 The UPS transfers to Normal mode. If the power processor is not available, the system remains on bypass and an alarm sounds. The UPS is now operating in Normal mode, and the NORMAL status indicator is illuminated. The UPM status is ACTIVE on the MODULE CONTROLS screen.

7.4.10 Enable Energy Saver System from EAA Controls menu

To transfer the critical load to Energy Saver System:



NOTE

The Energy Saver System commands are displayed only if enabled at the factory or by an Eaton Customer Service Engineer.

- 1 Press the LOCK icon on the main screen. The Sign In screen is displayed. Use operator password

- to log in (factory default password is 0101).
2. Select CONTROLS on the main screen. SYSTEM CONTROLS screen opens up.
 3. Select EAA CONTROLS. This screen shows if ESS is installed or not.
 4. Select ENABLE ESS. Command confirmation pop-up screen will show up asking confirmation for the action. Select YES.
 5. Energy Saver System is now enabled. When the right conditions are met, the critical load can be supported by bypass source.

7.4.11 Disable Energy Saver System from EAA Controls menu

To transfer the critical load to Normal mode:



NOTE

The Energy Saver System commands are displayed only if enabled at the factory or by an Eaton Customer Service Engineer.

- 1 Press the LOCK icon on the main screen. The Sign In screen is displayed. Use operator password to log in (factory default password is 0101).
2. Select CONTROLS on the main screen. SYSTEM CONTROLS screen opens up.
3. Select EAA CONTROLS. This screen shows if ESS is installed or not.
4. Select DISABLE ESS. Command confirmation pop-up screen will show up asking confirmation for the action. Select YES.
5. If the unit is on ESS, it will transfer to battery mode and then to normal mode. If the power module is not available, the system remains on bypass and an alarm sounds.

7.4.12 Transfer from Energy Saver System to Bypass mode

To transfer the critical load to Bypass mode:



NOTE

The Energy Saver System commands are displayed only if enabled at the factory or by an Eaton Customer Service Engineer.

- 1 Press the LOCK icon on the main screen. The Sign In screen is displayed. Use operator password to log in (factory default password is 0101).
2. Select CONTROLS on the main screen. SYSTEM CONTROLS screen opens up.
3. Select GO TO BYPASS. The UPS transfers to bypass mode. The BYPASS status indicator is illuminated. The UPS status indicates ON BYPASS. The UPM status indicates IDLE. The power module remains on.

7.4.13 Transfer from Normal to Bypass mode and shut down UPS

To transfer the critical load to Bypass mode and shut down the UPS, perform the following procedure:

- 1 Transfer the critical load to bypass by performing the procedure in Section 7.3.11.
2. Select CONTROLS on the main screen. SYSTEM CONTROLS screen opens up.
3. Select MODULE CONTROLS. All the installed UPMs are showed here.
4. Select UPM1 and then select SHUT DOWN UPM. Command confirmation pop-up screen will show up asking confirmation for the action. Select YES. The UPM shuts down.

5. Repeat step 4 for all remaining UPMs. (Go to the next UPM by selecting NEXT).

The UPM status indicates SHUTDOWN. The input and output contactors open, the battery breaker or disconnect is tripped, and the power module is turned off. The bypass source supplies the critical load.



WARNING

Power is present inside the UPS cabinets.

7.4.14 Single UPM shutdown

To shutdown a single UPM:

1. Press the LOCK icon on the main screen. The Sign In screen is displayed. Use operator password to log in (factory default password is 0101).
2. Select CONTROLS on the main screen. SYSTEM CONTROLS screen opens up.
3. Select MODULE CONTROLS. All the installed UPMs are showed here.
4. Select one of the UPMs then select "SHUT DOWN UPM". Command confirmation pop-up screen will show up asking confirmation for the action. Select YES. After this, the UPM opens its output contactor and goes to IDLE. The power module remains on. The remaining UPMs supply the critical load.
5. To turn off the previously chosen power module, select SHUT DOWN UPM again. Command confirmation pop-up screen will show up asking confirmation for the action. Select YES. The UPM opens its input contactor and goes to SHUTDOWN. The power module is turned off. The remaining UPMs continue to supply the critical load. Logic power remains on.

7.4.15 Single UPM restart

To restart a single UPM from a shutdown state:

1. Press the LOCK icon on the main screen. The Sign In screen is displayed. Use operator password to log in (factory default password is 0101).
2. Select CONTROLS on the main screen. SYSTEM CONTROLS screen opens up.
3. Select MODULE CONTROLS. All the installed UPMs and their status can be seen here.
4. Choose the desired UPM to start.
5. Select START UPM to start UPM rectifier and inverter and to transfer the UPM to IDLE state. The UPM will not support the load yet. Or select GO TO NORMAL to command the UPM straight to normal mode where it will support the load. Then the UPM state is active.

7.4.16 UPS and critical load shutdown

To perform maintenance or service on the critical load, shut down power to the load by performing the following procedure:

1. Turn off all equipment that is being powered by the UPS.
2. Perform the LOAD OFF procedure in Section 7.4.18. The input, output, and bypass backfeed contactors open, the battery breaker or disconnect is tripped, and the power module is turned off.



WARNING

Power is present inside the UPS cabinet until the upstream input feeder circuit breaker is opened.

3. If the UPS contains input breaker CB1, open the UPS input breaker CB1.
4. Open the UPS input and bypass feeder circuit breakers.

7.4.17 Charger control

To turn the battery charger on or off, perform the following procedure:

1. Press the LOCK icon on the main screen. The Sign In screen is displayed. Use operator password to log in (factory default password is 0101)
2. Select CONTROLS on the main screen. SYSTEM CONTROLS screen opens up.
3. Select EAA CONTROLS.
4. The UPS Charger can be stopped or started by selecting START CHARGER / STOP CHARGER. (To control the charger of a single UPM, instead of EAA CONTROLS, select MODULE CONTROLS and then choose the desired UPM.

7.4.18 Using the UPS LOAD OFF

A UPS Load Off is initiated by the selecting LOAD OFF from the SYSTEM CONTROLS screen. This de-energizes the critical load and powers down the UPS. The UPS (including Bypass remains off until restarted.

To use LOAD OFF:

1. Press the LOCK icon on the main screen. The Sign In screen is displayed. Use operator password to log in (factory default password is 0101).
 2. Select CONTROLS on the main screen. SYSTEM CONTROLS screen opens up.
-



CAUTION

All power to the critical load is lost when the LOAD OFF is selected in the following step. You should use this feature only when you want to de-energize the critical load.

3. Select LOAD OFF. Command confirmation pop-up screen will show up asking confirmation for the action. Select YES. The input, output, and bypass backfeed contactors open, the battery breaker or disconnect is tripped, and all the UPMs are turned off.
-



CAUTION

Do not attempt to restart the system after Load Off until the cause of the shutdown has been identified and cleared.

4. To restart the UPS after selecting the LOAD OFF, follow the procedure in Section 7.4.1 or Section 7.4.2..

7.4.19 Using the Remote Emergency Power-off switch

A UPS emergency power-off is initiated by the REPO pushbutton switch. In an emergency, you can use this switch to control the UPS output. The REPO switch de-energizes the critical load and powers down the UPS immediately, without asking for verification. The UPS, including Bypass, remains off until restarted.



CAUTION

All power to the critical load is lost when the REPO switch is activated in the following step. You should use this feature only when you want to de-energize the critical load.



NOTE

The following instructions are for the Eaton Corporation-supplied REPO switch. If a customer-supplied REPO switch is used, it may not activate in the same manner; refer to the operating instructions provided with the switch.

To use the REPO switch:

1. Press the REPO pushbutton switch.

The input, output, and bypass backfeed contactors open, the battery breaker or disconnect is tripped, and the power module is turned off immediately, without asking for verification.



CAUTION

Do not attempt to restart the system after Load Off until the cause of the shutdown has been identified and cleared.

2. To restart the UPS after using the REPO pushbutton, reset the REPO switch and then follow the procedure in Section 7.4.1 or Section 7.4.2.

7.4.20 Using Mechanical Bypass Switch

The operation of the integral MBS is allowed for a trained person only who is familiar with the UPS behaviour and functions. The full UPS wiring diagram with a MBS switch is presented in the installation part of the manual.



NOTE

The integral MBS and Static Bypass need to be supplied by the same source.

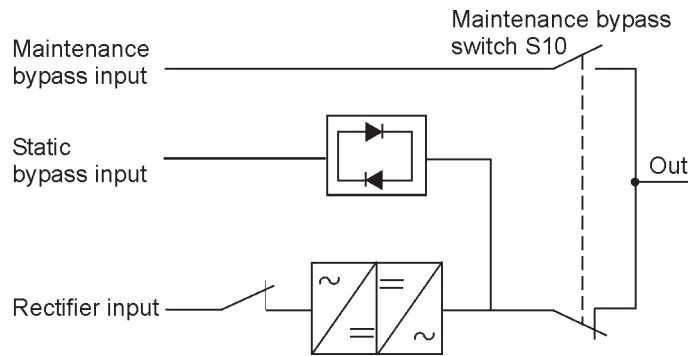
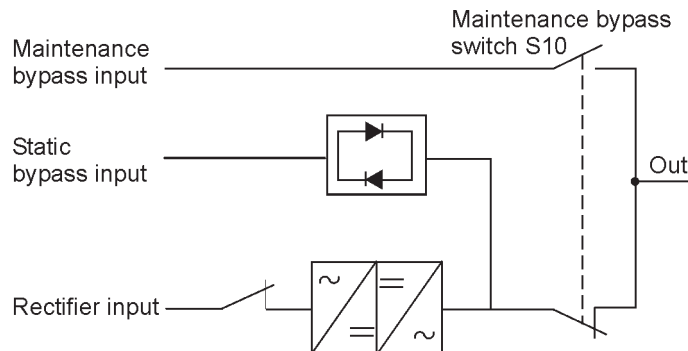


Figure 7-41. The normal positions of the MBS switches and rectifier disconnect switch (must be located in the site wiring)

Turn UPS from normal mode to mechanical bypass

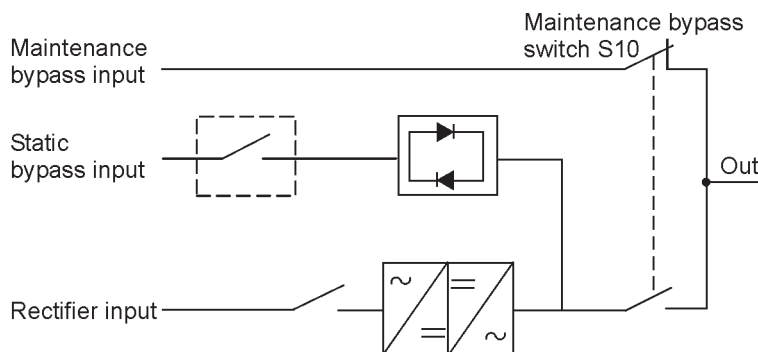
The procedure to turn the UPS to mechanical bypass switch is described below.

1. The normal start position should be following:



2. Perform transfer from normal mode to bypass mode as described in Section 7.4.8. Remember to verify the transfer before proceeding the next step.
3. Turn the switch S10 from UPS (II position to Bypass (I position).
4. Perform the LOAD OFF procedure in Section 7.4.18.
5. Turn OFF the rectifier switch to disconnect UPS rectifier input.
6. Turn OFF the Static bypass switch to disconnect UPS bypass input.

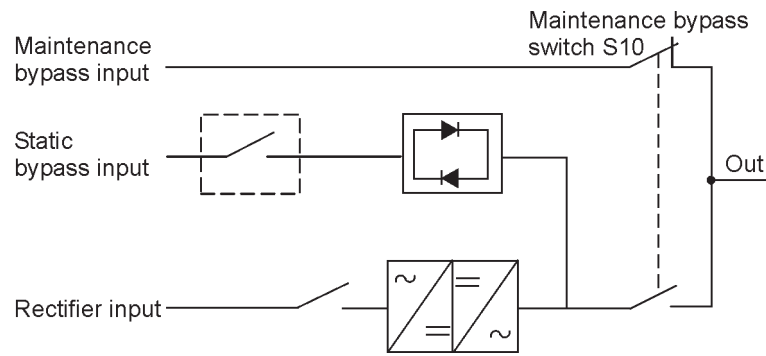
UPS is now in the mechanical bypass mode, See below:



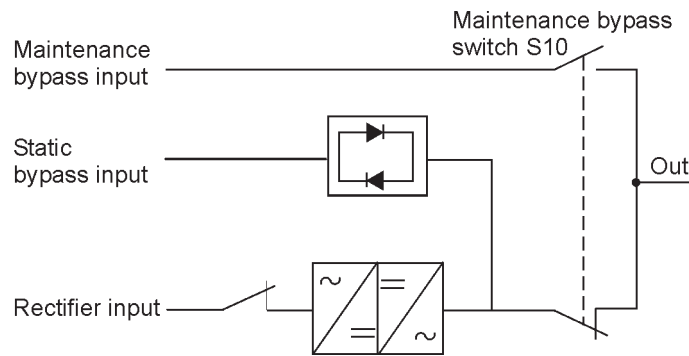
Turn UPS from mechanical bypass to normal mode

The procedure to turn the UPS back to normal mode is described below.

1. The normal start position should be the following:



2. Turn ON rectifier switch to connect rectifier input to UPS.
3. Turn ON Static bypass switch to connect bypass input to UPS:
4. Perform the UPS start-up procedure (bypass mode in Section .
5. Turn S10 switch from bypass position to UPS position to connect UPS output to load.
6. Perform transfer from bypass to normal mode as described in Section 7.4.9.
Remember to verify the transfer before proceeding to the next step.
UPS is now in Normal mode. See below:



7.5 Multiple UPS distributed bypass operation

7.5.1 Starting the distributed bypass system in normal mode

To start the distributed bypass system:

- 1 Unfasten the front door latches and swing the doors open on all of the UPS. If the UPSs contain input breakers (CB1, verify that all input breakers are open.
2. Close all Module Output Breakers (MOBs).
3. Close all UPS input feeder circuit breakers.
4. If the UPSs contain input breakers (CB1, close all input breakers.
5. Close all UPS Bypass input feeder circuit breakers.
6. Close the doors and secure the latches.
7. Observe the UPS control panel displays becoming active, indicating logic power.
8. On any UPS, press the LOCK icon on the main screen. The Sign In screen is displayed. Use operator password to log in (factory default password is 0101).
9. On the System Status screen, verify the UPS status is SHUTDOWN and the UPM status is SHUTDOWN.
10. Close all battery breakers.
11. Verify no alarms are active on the ACTIVE EVENTS screen (found under LOGS).
12. Select CONTROLS on the main screen. SYSTEM CONTROLS screen opens up.
13. Select GO ONLINE. Command confirmation pop-up screen will show up asking confirmation for the action. Select YES.

If Auto Bypass is enabled (factory default, the critical load is immediately supplied by the bypass source in Bypass mode from all UPSs, until the inverter turns on and the UPSs transfer to Normal mode. The status indicator on the UPS control panel indicates the UPS is in Bypass mode. If Auto Bypass is not enabled, the UPS outputs remain off until the UPSs transfer to Normal mode.

The rectifier and inverter turn on. The inverter continues to ramp up to full voltage.

Once the inverter reaches full voltage, all UPS output contactors (K3) close and the bypass circuits open. Power is now supplied to the critical load in Normal mode from all UPSs. It takes approximately one minute for the UPSs to achieve Normal mode.

The ONLINE status indicator is illuminated. The UPS status indicates ONLINE.

The UPM status is ACTIVE on MODULE CONTROLS screen.

7.5.2 Starting the distributed bypass system in Bypass mode

If the inverter output of the distributed bypass system is not available and the critical load needs to be energized:



CAUTION

In Bypass mode, the critical load is not protected from commercial power interruptions and abnormalities.

- 1 Unfasten the front door latches and swing the doors open on all of the UPS. If the UPSs contain input breakers (CB1, verify that all input breakers are open.
2. Close all Module Output Breakers (MOBs).
3. Close all UPS input feeder circuit breakers.
4. If the UPSs contain input breakers (CB1, close all input breakers.

5. Close all UPS Bypass input feeder circuit breakers.
6. Close the doors and secure the latches.
7. Observe the UPS control panel displays becoming active, indicating logic power.
8. On any UPS, press the LOCK icon on the main screen. The Sign In screen is displayed. Use operator password to log in (factory default password is 0101).
9. Select CONTROLS on the main screen. SYSTEM CONTROLS screen opens up.
10. Select GO TO BYPASS. Command confirmation pop-up screen will show up asking confirmation for the action. Select YES.

The critical load is immediately supplied by the bypass source in Bypass mode from all UPSs.

The BYPASS status indicator is illuminated. The UPS status is On Bypass. The UPM status is shutdown.

7.5.3 Enable Variable Module Management System mode from the EEA controls menu

For instructions, see Section 7.4.5 “Enable Variable Module Management System mode from the EEA controls menu” on page 116.

7.5.4 Disable Variable Module Management System mode from the EEA controls menu

For instructions, see Section 7.4.6 “Disable Variable Module Management System mode from the EEA controls menu” on page 117.

7.5.5 How to start High Alert Timer from the EEA Controls menu

For instructions, see Section 7.4.7 “Start Variable Module Management System High Alert mode from the EEA controls menu” on page 117.

7.5.6 Starting the UPS UPMs

To start the power modules without transferring the critical load to Normal mode:

1. Unfasten the front door latches and swing the doors open on all of the UPSs.
2. If the UPSs contain input breakers (CB1, verify that all input breakers are open.
3. Close all UPS input feeder circuit breakers.
4. If the UPSs contain input breakers (CB1, close all input breakers.
5. Close all UPS Bypass input feeder circuit breakers.
6. Close the doors and secure the latches.
7. Observe the UPS control panel displays becoming active, indicating logic power.
8. On any UPS, press the LOCK icon on the main screen. The Sign In screen is displayed. Use operator password to log in (factory default password is 0101).
9. Select CONTROLS on the main screen. SYSTEM CONTROLS screen is displayed.
10. Select MODULE CONTROLS. All the installed UPMs and their status can be seen here.
11. On the MODULE CONTROLS screen, select UPM1.
12. Select START UPM to start UPM1. Command confirmation pop-up screen shows up asking confirmation for the action. Select YES.
13. The UPM1 rectifier and inverter will turn on and the UPM goes to IDLE state. The UPS status changes to READY. The UPS is ready to transfer to the Normal mode and supply the critical load.
14. Repeat steps 10 through 12 by choosing another UPM until all the UPMs are in IDLE state.
15. Repeat steps 8 through 14 for each UPS in the distributed bypass system.



NOTE

To transfer to Normal mode after starting individual UPMs, follow the procedure in Section 7.5.9.

7.5.7 Starting a single UPM

To start a single UPM:

1. Unfasten the front door latch and swing the door open.
2. If the UPS contains input breaker CB1, verify that input breaker CB1 is open.
3. Close the UPS input feeder circuit breaker.
4. Close the UPS Bypass input feeder circuit breaker.
5. If the UPS contains input breaker CB1, close input breaker CB1.
6. Close the door and secure the latch.
7. Observe the UPS control panel becoming active, indicating logic power.
8. Close the battery breaker.
9. Press the LOCK icon on the main screen. The Sign In screen is displayed. Use operator password to log in (factory default password is 0101).
10. Select CONTROLS on the main screen. SYSTEM CONTROLS screen is displayed.
11. Select MODULE CONTROLS. All the installed UPMs and their status can be seen here.
12. On the MODULE CONTROLS screen, choose the desired UPM.
13. Select GO TO NORMAL to transfer the UPM to normal mode. Command confirmation pop-up screen will show up asking confirmation for the action. Select YES.

If Auto Bypass is enabled (factory default, the critical load is immediately supplied by the bypass source, in Bypass mode, until the inverter turns on and the UPS transfers to Online mode. The status indicator on the UPS control panel indicates the UPS is in Bypass mode. If Auto Bypass is not enabled, the UPS output remains off until the UPS transfers to Online mode.

7.5.8 Transfer from Normal to Bypass mode

To transfer the critical load to Bypass mode:



CAUTION

In Bypass mode, the critical load is not protected from commercial power interruptions and abnormalities.

1. On any UPS, press the LOCK icon on the main screen. The Sign In screen is displayed. Use operator password to log in (factory default password is 0101).
2. Select CONTROLS on the main screen. SYSTEM CONTROLS screen opens up.
3. Select GO TO BYPASS. Command confirmation pop-up screen will show up asking confirmation for the action. Select YES.

All of the UPSs transfer to Bypass mode and the critical load is immediately supplied by the bypass source. If the bypass source is not available, the power module remains on and an alarm sounds. The BYPASS status indicator is illuminated. The UPM status is READY on the MODULE CONTROLS screen. The power module remains on.



WARNING

Power is present inside the UPS cabinet.

7.5.9 Transfer from Bypass to Normal mode

To transfer the critical load to Normal mode:

- 1 If not already closed, close all the battery breakers.
- 2 On any UPS, press the LOCK icon on the main screen. The Sign In screen is displayed. Use operator password to log in (factory default password is 0101).
- 3 Select CONTROLS on the main screen. SYSTEM CONTROLS screen opens up.
- 4 Select GO ONLINE. Command confirmation pop-up screen will show up asking confirmation for the action. Select YES.

All of the UPSs transfer to Normal mode. If the power module is not available, the system remains on bypass and an alarm sounds. The ONLINE status indicator is illuminated. The UPS status is ONLINE. The UPM status is ACTIVE on the MODULE CONTROLS screen.

7.5.10 Enable Energy Saver System from EAA Controls menu

To transfer the critical load to Energy Saver System:



NOTE

The Energy Saver System commands are displayed only if enabled at the factory or by an Eaton Customer Service Engineer.

- 1 On any UPS, press the LOCK icon on the main screen. The Sign In screen is displayed. Use the operator password to log in (factory default password is 0101).
- 2 Select CONTROLS on the main screen. SYSTEM CONTROLS screen opens up.
- 3 Select EAA CONTROLS. This screen shows if ESS is installed or not.
- 4 Select ENABLE ESS. Command confirmation pop-up screen will show up asking confirmation for the action. Select YES.
- 5 Energy Saver System is now enabled. When the right conditions are met, the critical load can be supported by bypass source.

7.5.11 Disable Energy Saver System from EAA Controls menu

To transfer the critical load to Normal mode:



NOTE

The Energy Saver System commands are displayed only if enabled at the factory or by an Eaton Customer Service Engineer.

- 1 On any UPS, press the LOCK icon on the main screen. The Sign In screen is displayed. Use operator password to log in (factory default password is 0101).

2. Select CONTROLS on the main screen. SYSTEM CONTROLS screen opens up.
3. Select EAA CONTROLS. This screen shows if ESS is installed or not.
4. Select DISABLE ESS. Command confirmation pop-up screen will show up asking confirmation for the action. Select YES.
5. If the unit is on ESS, it will transfer to battery mode and then to normal mode. If the power module is not available, the system remains on bypass and an alarm sounds.

7.5.12 Transfer from Energy Saver System to Bypass mode

To transfer the critical load to Bypass mode:



NOTE

The Energy Saver System commands are displayed only if enabled at the factory by an Eaton Customer Service Engineer.

1. On any UPS, press the LOCK icon on the main screen. The Sign In screen is displayed. Use operator password to log in (factory default password is 0101).
2. Select CONTROLS on the main screen. SYSTEM CONTROLS screen opens up.
3. Select GO TO BYPASS. All the UPSs transfer to bypass mode. The BYPASS status indicator is illuminated. The UPS status indicates ON BYPASS. The UPM status indicates IDLE. The power modules remain on.

7.5.13 Transfer from Normal to Bypass mode and shut down all UPMs

To transfer the critical load to Bypass mode and shut down all UPMs:

1. Transfer the critical load to bypass by performing the procedure in Section 7.4.11.
2. Select CONTROLS on the main screen. SYSTEM CONTROLS screen opens up.
3. Select MODULE CONTROLS. All the installed UPMs are shown here.
4. Select UPM1 and then select SHUT DOWN UPM. Command confirmation pop-up screen will show up asking confirmation for the action. Select YES. The UPM shuts down.
5. Repeat step 4 for all remaining UPMs. (Go to the next UPM by selecting NEXT).
6. Repeat steps 2 through 4 for each UPS in the distributed bypass system.



WARNING

Power is present inside the UPS cabinet.

7.5.14 Single UPM shutdown

To shutdown a single UPM:

1. Press the LOCK icon on the main screen. The Sign In screen is displayed. Use operator password to log in (factory default password is 0101).
2. Select CONTROLS on the main screen. SYSTEM CONTROLS screen opens up.
3. Select MODULE CONTROLS. All the installed UPMs are shown here.
4. Select one of the UPMs then select "SHUT DOWN UPM". Command confirmation pop-up screen will show up asking confirmation for the action. Select YES. After this, the UPM opens its output contactor and goes to IDLE. The power module remains on. The remaining UPMs supply the critical load.

5. To turn of the previously chosen power module, select SHUT DOWN UPM again. Command confirmation pop-up screen will show up asking confirmation for the action. Select YES. The UPM opens its input contactor and goes to SHUTDOWN. The power module is turned off. The remaining UPMs continue to supply the critical load. Logic power remains on.

7.5.15 Single UPM restart

To restart a single UPM from a shutdown state:

1. Press the LOCK icon on the main screen. The Sign In screen is displayed. Use operator password to log in (factory default password is 0101).
2. Select CONTROLS on the main screen. SYSTEM CONTROLS screen opens up.
3. Select MODULE CONTROLS. All the installed UPMs and their status can be seen here.
4. Choose the desired UPM to start.
5. Select START UPM to start UPM rectifier and inverter and to transfer the UPM to IDLE state. The UPM will not support the load yet. Or select GO TO NORMAL to command the UPM straight to normal mode where it will support the load. Then the UPM state is active.

7.5.16 Single UPS shutdown using load off



NOTE

To shut down a single UPS, MOB's with dual auxiliary contacts must be installed and connected according to the procedure in Section 5.2 on page 61.

To shut down a single UPS:

1. Open the MOB for the UPS being shut down.
2. On the UPS to shut down, select the CONTROLS on the main screen. The SYSTEM CONTROLS screen is displayed.
3. Reinsure sure that the MOB is open and select GO TO BYPASS. The UPS being shut down transfers to bypass, other UPSes should stay in online and will continue to support the load.
4. Now select LOAD OFF for the UPS being shut down. The input, output, battery, and bypass backfeed contactors open, and the power module is turned off on the UPS being shut down. Logic power remains on.
5. Verify the battery breaker or disconnect for the UPS being shut down is open. If not, open the breaker.
6. Open the input and bypass feeder circuit breakers for the UPS being shut down. The UPS is now completely shut down. External Communications Failure alarm is active on remaining online UPSs. This is an expected event and will clear upon UPS restart.



NOTE

Load Off will turn off only the UPS being shut down. The remaining UPSs will remain online supplying power to the critical load.

7. Perform the LOAD OFF procedure in Section 7.5.21 on the UPS being shut down. The input, output, battery, and bypass backfeed contactors open, and the power module is turned off on the UPS being shut down. Logic power remains on.
8. Verify the battery breaker or disconnect for the UPS being shut down is open. If not, open the breaker.



WARNING

Power is present inside the UPS cabinet until the upstream input feeder circuit breaker is opened.



NOTE

If the UPS contains an input breaker (CB1), DO NOT open the breaker unless no input feeder breaker is installed.

9. Open the input and bypass feeder circuit breakers for the UPS being shut down.
The UPS is now completely shut down.
External Communications Failure alarm is active on remaining online UPSs. This is an expected event and will clear upon UPS restart.

7.5.17 Single UPS shutdown using UPM shutdown



NOTE

To shut down a single UPS, MOB with dual auxiliary contacts must be installed and connected according to the procedure in Section 5.2 on page 61.

To shut down a single UPS:

1. Open the MOB for the UPS being shut down.
2. On the UPS being shut down, press the LOCK icon on the main screen. The Sign In screen is displayed. Use operator password to log in (factory default password is 0101).
3. Select CONTROLS on the main screen. SYSTEM CONTROLS screen opens up.
4. Select GO TO BYPASS. Command confirmation pop-up screen will show up asking confirmation for the action. Select YES. The UPS being shut down transfers to bypass while other UPSs stay in normal mode supporting the load.
5. Select MODULE CONTROLS. All the installed UPMs and their status are showed here.
6. Choose one of the UPMs and then select "SHUT DOWN UPM". Command confirmation pop-up screen will show up asking confirmation for the action. Select YES. The UPM opens its input contactor and goes to SHUTDOWN. The power module is turned off.
7. Repeat steps 3 and 4 for all remaining UPMs.
8. Verify the battery breaker or disconnect for the UPS being shut down is open. If not, open the breaker.
9. Open the input and bypass feeder circuit breakers for the UPS being shut down. The UPS is now completely shut down. External Communications Failure alarm is active on remaining online UPSs. This is an expected event and will clear upon UPS restart.



WARNING

Power is present inside the UPS cabinet until the upstream input feeder circuit breaker is opened.



NOTE

If the UPS contains an input breaker (CB1), DO NOT open the breaker unless no input feeder breaker is installed.

10. Open the input and bypass feeder circuit breakers for the UPS being shut down.
The UPS is now completely shut down.
External Communications Failure alarm is active on remaining online UPSs. This is an expected event and will clear upon UPS restart.

7.5.18 Single UPS restart

To restart a single UPS from a shutdown state:

1. Close the MOB for the UPS being restarted.
2. Close UPS input and bypass feeder circuit breakers for the UPS being restarted.
3. Unfasten the front door latch and swing the door open on the UPS being restarted.
4. If input breaker (CB1 is installed on the UPS being restarted and is open, close the breaker.
5. Close the door and secure the latch.
6. Close all the battery breakers.
7. On the UPS being restarted, observe the UPS control panel display becoming active, indicating logic power.
8. On the UPS being restarted, press the LOCK icon on the main screen. The Sign In screen is displayed. Use operator password to log in (factory default password is 0101).
9. Verify no alarms are present on the ACTIVE EVENTS screen under the LOGS menu on the UPS being restarted.
10. Verify External Communications Failure alarm has cleared and no other alarms are active on the online UPSs.
11. Select CONTROLS on the main screen. SYSTEM CONTROLS screen opens up.
12. Select GO ONLINE.

The rectifier and inverter turn on. The inverter continues to ramp to full voltage. Once the inverter reaches full voltage, the UPS output contactors (K3) close. Power is now supplied to the critical load in Normal mode along with the other UPSs online. It takes approximately one minute for the UPS to achieve Normal mode.



NOTE

If the UPS is starting on a bus with other online paralleled UPSs, the UPS will not go to bypass during startup. The UPS will start, sync to the other UPSs online, and go online.

7.5.19 UPS and critical load shutdown

To perform maintenance or service on the critical load, shut down power to the load:

1. Turn off all equipment that is being powered by the distributed bypass system.
2. Transfer the UPSs to bypass by performing the procedure in Section 7.5.11.
3. Perform the LOAD OFF procedure in Section 7.5.21. The input, output, battery, and bypass backfeed contactors open, and the power module is turned off.



WARNING

Power is present inside the UPS cabinet until the upstream input feeder circuit breaker is opened.

4. If the UPSs contain input breakers (CB1), open all UPS input breakers.
5. Open the input and bypass feeder circuit breakers on all UPSs.

7.5.20 Charger control

To turn the battery charger on:

1. Press the LOCK icon on the main screen. The Sign In screen is displayed. Use operator password to log in (factory default password is 0101)
2. Select CONTROLS on the main screen. SYSTEM CONTROLS screen opens up.
3. Select EAA CONTROLS.
4. The UPS Charger can be stopped or started by selecting START CHARGER / STOP CHARGER. (To control the charger of a single UPM, instead of EAA CONTROLS, select MODULE CONTROLS and then choose the desired UPM.

7.5.21 Using the UPS LOAD OFF

A UPS Load Off is initiated by the selecting LOAD OFF from the SYSTEM CONTROLS screen. This de-energizes the critical load and powers down the UPS. The UPS (including Bypass remains off until restarted.



NOTE

The UPS Load Off controls each UPS independently and does not shut down the whole distributed bypass system unless all UPSs have been transferred to bypass. To immediately shut down the whole system, use the REPO switch (see Section 7.5.22).

To use LOAD OFF:

1. Press the LOCK icon on the main screen. The Sign In screen is displayed. Use operator password to log in (factory default password is 0101).
2. Select CONTROLS on the main screen. SYSTEM CONTROLS screen opens up.



CAUTION

All power to the critical load is lost when the LOAD OFF is selected in the following step. You should use this feature only when you want to de-energize the critical load.

3. Select LOAD OFF. Command confirmation pop-up screen will show up asking confirmation for the action. Select YES. The input, output, and bypass backfeed contactors open, the battery breaker or disconnect is tripped, and all the UPMs are turned off.
 4. If another UPS is to be shut down, proceed to that UPS and repeat Steps 1, 2 and 3.
-



CAUTION

Do not attempt to restart the system after Load Off until the cause of the shutdown has been identified and cleared.

5. To restart the UPS after the LOAD OFF, follow the procedure in Section 7.5.1, Section 7.5.2 or Section 7.5.15.
-



WARNING

Power is present inside the UPS cabinet until the upstream input feeder circuit breaker is opened and the MOB is opened.

7.5.22 Using the Remote Emergency Power-off Switch

A UPS emergency power-off is initiated by the REPO pushbutton switch. In an emergency, you can use this switch to control the UPS output. The REPO switch de-energizes the critical load and powers down the UPSs immediately, without asking for verification.

The UPS, including Bypass, remains off until restarted.



CAUTION

All power to the critical load is lost when the REPO switch is activated in the following step. You should use this feature only when you want to de-energize the critical load.



NOTE

The following instructions are for the Eaton-supplied REPO switch. If a customer-supplied REPO switch is used, it may not activate in the same manner; refer to the operating instructions provided with the switch.

To use the REPO switch:

1. Firmly push the red pushbutton until it locks into place. The switch latches into the activated state. The input, output, and bypass backfeed contactors open, the battery breaker or disconnect is tripped, and the power module is turned off immediately, without asking for verification on all UPSs.
-



CAUTION

Do not attempt to restart the system after the REPO until the cause of the shutdown has been identified and cleared.

2. To deactivate the REPO switch in preparation for restarting the UPS, insert the supplied key and rotate clockwise until the red pushbutton releases. To remove the key, rotate the key back to the vertical position.
 3. Restart the UPSs by following the procedure in Section 7.5.1 or Section 7.5.2 on page 126.
-



WARNING

Power is present inside the UPS cabinet until the upstream input feeder circuit breaker is opened.

8 Communication

This chapter describes the communication features of the Eaton 9395P 500–600 kVA UPS and provides information about connecting hardware and using Terminal mode. For location of the customer interface panels and terminals, see Figure 4-5 on page 45 and Figure 4-10 on page 55 through Figure 4-12 on page 59.

8.1 X-Slot cards

The Eaton 9395P UPS has four X-Slot communication bays (see Figure 4-12 on page 59 for bay locations). The UPS is compatible with the following X-Slot cards (see Figure 8-1:

- Modbus card - provides direct integration of UPS information (meters and status to a Building Management System (BMS using the Modbus RTU protocol.
- The optional ConnectUPS-X Web/SNMP card - provides remote monitoring through a Web browser interface, e-mail, and a network management system (NMS using SNMP; connects to a twisted-pair Ethernet (10/100BaseT network. It has a built-in switching hub that allows three additional network devices to be connected to the network without the requirement of additional network drops. This card is provided as standard equipment with the UPS.



NOTE

The Modem card cannot be installed in X-Slot 2.

- Modem card - provides “out-of-band” remote notification and monitoring using modem communication directly to cell phones and pagers.
- Relay Interface card (AS/400 - has isolated dry contact (Form-C relay outputs for UPS status: Utility failure, Low battery, UPS alarm/OK, or On bypass when interfacing with IBM® AS/400 computers, other relay connected computers, and industrial applications.
- Industrial Relay card (IRC - indicates the operating status of the UPS system using the customer’s monitoring equipment. The IRC uses four isolated normally-open or normally-closed dry relay contacts to indicate the UPS status. Normal, Bypass, Battery, and Alarm modes can be monitored.
- Power Xpert Gateway Card - provides a data gateway from the UPS to the Power Xpert software; provides remote monitoring through a Web browser interface, e-mail, and a network management system using SNMP; connects to a twisted-pair Ethernet (10/100BaseT network. Modbus TCP support provides direct integration of the UPS parameters to a Building Management System (BMS. It has a built-in switching hub that allows one additional network device to be connected to the network without the requirement of an additional network drop.

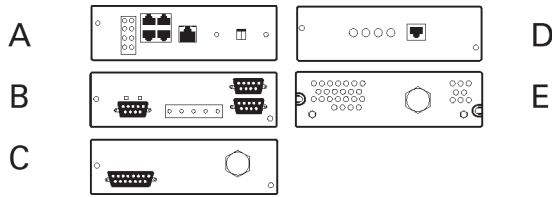


Figure 8-1. Optional X-Slot cards

A	ConnectUPS-X Web/SNMP card
B	Modbus card
C	Relay interface card
D	Modem card
E	Industrial relay card

8.2 Terminal mode

Terminal mode is supported by all RS-232 serial communication ports of the UPS. The following settings should be used:

- Baud rate:19200
- 8 data bits
- no parity
- 1 stop bit



NOTE

The brackets ([]) in the following bullets indicate standard keyboard characters. To use a key combination, hold down the Escape key and press the indicated letter key.

In Terminal mode, the user can request the following:

- [ESC] [A] displays the Active Alarms.
- [ESC] [H] displays the Event History.
- [ESC] [N] displays the Node Bits Setup.
- [ESC] [V] displays the UPS control panel.
- [ESC] [Q] Quit.

8.2.1 Display UPS control panel

When this function is invoked, a facsimile of the UPS control panel is displayed on the terminal screen. All controls are functional and can control the UPS remotely. The only exception is the Load Off control which requires the operator to press and hold the local control for three seconds to shut down the UPS.

To remotely control the UPS or view UPS information, use the escape key legend to control the function normally controlled by the control panel softkeys. See Section on page 89 for instructions on navigating the control panel.

8.2.2 Event History Log

This key sequence prints the entire Event History Log of the UPS at the time the data is requested. The printout begins with the oldest alarm entry in the queue and ends with the most recent. Any alarms that occur while the Event History Log is printing are included in chronological order.

The Event History Log lists up to 500 system events in chronological order with the most recent event listed last. In this mode, system events are continually logged through the serial port to the device connected to the port.

The printed log entries contain a time and date stamp and the alarm text message. Terminal mode uses this format for printing alarm entries:

```
MM DD YYYY HH:MM:SS.hh KYWD MESSAGE <CR> <LF>
```

Where	Equals
MM	Month (2 digits)
DD	Day (2 digits)
YYYY	Year (4 digits)
HH	Hour (2 digits)
MM	Minute (2 digits)
SS	Second (2 digits)
hh	Hundredths of Second (2 digits)
KYDW	Keyword (ALARM, NOTICE, COMMAND, or STATUS)
Message	System Diagnostic Information
<CR>	Carriage Return Character (ASCII 13)
<LF>	Line Feed (ASCII 10)

An alarm message is prefixed by the word "CLEAR" whenever an alarm is entered into the Event History Log with a cleared status.

If a port is operating in Terminal mode and is connected to a computer, you can press [Esc] [H] to print the entire log with a firmware version header. The log in terminal mode is always in english.

```
MODEL: Eaton 9395P  
CTO: TF12710000000  
SERIAL:  
MCU DSP:70.81.14  
MCU BOOTLOADER:80.40
```

MCU PLD:1.00
PMF 1 DSP:80.81.14
PMF 1 BOOTLOADER:80.40
PMF 1 PLD:1.00
XSLOT CAN BRIDGE:0.00
CSB DSP:70.81.14
CSB BOOTLOADER:1.12
DISPLAY:1.06

TIME: 19:17:16 DATE: 03/23/2099

03/16/2099 21:25:20.355 S138: CONTROL POWER ON (PM1)
03/16/2099 21:25:20.515 N011: OUTPUT UNDER OR OVER FREQ (PM1)
03/16/2099 21:25:20.675 S302: EEPS CONFIGURING (PM1)
03/16/2099 21:25:23.475 N267: POWER MODULE CABLE FAIL 15 (PM1)
03/16/2099 21:25:25.180 N271: DC HW AMPS LIMIT (PM1)
03/16/2099 21:25:25.215 N007: INPUT AC UNDER VOLTAGE (PM1)
03/16/2099 21:25:25.850 N011: OUTPUT UNDER OR OVER FREQ OK (PM1)

...

03/23/2099 18:59:20.450 A199: BATTERIES DISCONNECTED (PM1)

ACTIVE ALARMS:

11 NOTICE: OUTPUT UNDER OR OVER FREQ (PM1)
12 ALARM: REMOTE EMERGENCY POWER OFF (MCU)
102 NOTICE: INVERTER L1 CURRENT LIMIT (PM1)
103 NOTICE: INVERTER L2 CURRENT LIMIT (PM1)
104 NOTICE: INVERTER L3 CURRENT LIMIT (PM1)

8.3 Building alarm monitoring

This standard feature lets you connect the UPS to your building alarms, such as smoke detectors or overtemperature alarms. The customer interface terminals for external connections are located inside the UPS. You should use twisted-pair wires for each alarm input and common.

The building alarms can be programmed to display the alarm functional name.

8.4 General purpose relay contact

One general purpose relay contact is provided as a standard feature on the UPS. The alarm contact is located inside the UPS on the customer interface terminal board.

You can use a normally-closed or normally-open contact. If the state of the contact changes from the state you specify as normal, a signal is issued. You can connect this contact to equipment at your facility (such as a light or an alarm bell to let you know when an alarm is active on the UPS. This feature is useful if the UPS is located in a remote area where the UPS horn may not be heard immediately.



CAUTION

Contacts should not be operated in excess of 30 Vac @ 5A maximum.

9 UPS maintenance

The components inside the UPS cabinet are secured to a sturdy metal frame. All repairable parts and assemblies are located for easy removal, with very little disassembly. This design allows authorized service personnel to perform routine maintenance and servicing quickly.

You must schedule periodic performance checks of your UPS system to keep it running properly. Regular routine checks of operation and system parameters enable your system to function efficiently for many trouble-free years.

9.1 Important safety instructions

Remember that your UPS system is designed to supply power **EVEN WHEN DISCONNECTED FROM THE UTILITY POWER**. The UPS module interiors are unsafe until the DC power source is disconnected and the electrolytic capacitors are discharged. After disconnecting the utility power and the DC power, authorized service personnel should wait at least five minutes for capacitor bleedoff before attempting internal access to the UPS module.



WARNING

- Servicing and maintenance should be performed by qualified service personnel only.
 - **LETHAL VOLTAGE PRESENT.** This unit should not be operated with the cabinet doors open or protective panels removed. Do not make any assumptions about the electrical state of any cabinet in the UPS system.
-

Since each battery string is an energy source in itself, opening the battery circuit breaker does not de-energize the voltage within the battery string. **DO NOT ATTEMPT TO ACCESS ANY INTERNAL AREA OF THE BATTERY STRING YOURSELF. VOLTAGES ARE ALWAYS PRESENT IN THE BATTERY STRING.** If you suspect that a battery string needs service, you should contact your service representative.

If the string requires service, refer to the battery manufacturer's operating manual for instructions on battery maintenance or contact your service representative.

Observe these precautions when working on or around batteries:

- Remove watches, rings, or other metal objects.
- Use tools with insulated handles.
- Wear rubber gloves and boots.
- Do not lay tools or metal parts on top of batteries or battery cabinets.
- Disconnect the charging source prior to connecting or disconnecting terminals.
- Determine if the battery is inadvertently grounded. If it is, remove the source of the ground. Contact with any part of a grounded battery can result in electrical shock. The likelihood of such shock is reduced if such grounds are removed during installation and maintenance.
- When replacing batteries, use the same number of sealed, lead-acid batteries.
- Proper disposal of batteries is required. Refer to your local codes for disposal requirements.

9.2 Performing preventive maintenance

The UPS system requires very little preventive maintenance. However, the system should be inspected periodically to verify that the units are operating normally and that the batteries are in good condition.

9.2.1 DAILY maintenance

Perform the following steps daily:

1. Check the area surrounding the UPS system. Ensure the area is not cluttered, allowing free access to the unit.
2. Ensure the air intakes (vents on the front doors and exhaust opening (on top of the UPS cabinet sections are not blocked.
3. Ensure the operating environment is within the parameters specified in Section 3.2.1 on page 13 and Chapter 23: "Product specifications".
4. Ensure the UPS is in Normal mode (Normal status indicator is illuminated. If an alarm lamp is illuminated or the Normal status indicator is not illuminated, contact your service representative.

9.2.2 MONTHLY maintenance

Perform the following steps monthly:

1. Monitor system parameters as described in Section on page 89.
2. Check the air filters (located behind the front doors and wash or replace as necessary. The left (ISBM filter size is 12"x20"x1" and the right (UPM filter sizes are 19.5"x21.5"x0.5". Contact your service representative for replacement filters. To remove the filters:
 - a. Open the front door latch and swing the doors open.
 - b. Remove the filters from the cabinet-mounted studs.
 - c. Push the new filters onto the cabinet-mounted studs until seated against the cabinet.
 - d. Close the doors and secure the latch.
3. Record the check results and any corrective actions in a suitable log.

9.2.3 PERIODIC maintenance

Periodic inspections of the UPS should be made to determine if components, wiring, and connections exhibit evidence of overheating. Particular attention should be given to bolted connections. Maintenance procedures should specify that the bolted connections be retorqued to values listed in this manual (see Table 3-6 on page 21.

9.2.4 ANNUAL maintenance

Annual preventive maintenance should be performed only by authorized service personnel familiar with maintenance and servicing of the UPS system. Contact your service representative for more information about service offerings.

9.2.5 BATTERY maintenance

Contact your service representative for battery maintenance. Battery replacement and maintenance should be performed only by authorized service personnel.

9.3 Installing batteries



NOTE

There is no DC disconnect device within the UPS.

Install batteries in accordance with the battery and battery cabinet or battery rack manufacturer's instructions.

9.4 Recycling the used UPS or batteries

Before scrapping UPS or its battery cabinet, the battery bank must be removed. Local requirements must be followed in battery recycling or discard. The removal of batteries is allowed only by authorised service personnel due to high energy and voltage.

Do not discard waste electrical or electronic equipment in the trash.

For proper disposal, contact your local collecting/recycling/reuse or hazardous waste center and follow the local legislation.

These symbols indicate on a product:



Use proper local collecting centers meeting local legislation when handling waste of electrical and electronic equipment.



WARNING

HAZARDOUS MATERIALS. Batteries may contain HIGH VOLTAGES, and CAUSTIC, TOXIC and FLAMMABLE substances. Batteries can injure or kill people and damage equipment if used improperly. DO NOT DISCARD unwanted batteries or battery material in the public waste disposal system. Follow ALL applicable, local regulations for storage, handling and disposal of batteries and battery materials.



9.5 Maintenance training

A basic training course, available from Eaton Corporation, gives you a competent working knowledge of the UPS system operation and teaches you how to perform first level corrective maintenance. For more information about training and other services, contact the Eaton Help Desk for Eaton products.

10 Product specifications

10.1 Directives and standards

Safety	"IEC 62040-1: Uninterruptible power systems (UPS - Part 1: General and safety requirements for UPS IEC 60950-1: Information technology equipment - Safety - Part 1: General requirements"
EMC, emissions	IEC 62040-2: Uninterruptible power systems (UPS - Part 2: Electromagnetic compatibility (EMC requirements / Ed. 2
EMC, immunity	IEC 61000-2: Electromagnetic compatibility (EMC, IEC 61000-2-2 (Low-frequency conducted, IEC 61000-4-2 (ESD, IEC 61000-4-3 (RF electromagnetic field, IEC 61000-4-4 (Fast transient-burst, IEC 61000-4-5 (Surge, IEC 61000-4-6 (Conducted RF common mode, IEC 61000-4-8 (Power frequency magnetic field"
Performance & tests	IEC 62040-3: Uninterruptible power systems (UPS - Part 3: Method of specifying the performance and test requirements
Environmental	"IEC62040-4: Uninterruptible Power Systems (UPS - Part 4: Environmental Aspects - Requirements and Reporting IEC 62430: Environmentally conscious design for electrical and electronic products"
RoHS	2011/65/EU on the restriction of the use of certain hazardous substances in electrical and electronic equipment
WEEE	2012/19/EU on waste electrical and electronic equipment (WEEE
ECO Design Directive	2009/125/EC establishing a framework for the setting of eco-design requirements for energy-related products
Batteries	2006/66/EC on batteries and accumulators and waste batteries and accumulators
Packaging	94/62/EC on packaging and packaging waste

10.2 Model numbers

The UPS systems are housed in free-standing cabinets with safety shields behind the doors. The UPS systems are available in 50/60 Hz with various output power ratings.

Models	Power Rating	Frequency
9395P 500 kVA / 500 kW	500 kVA PF 1.0	50/60 Hz
9395P 600 kVA / 550 kW	600 kVA PF 9.2	50/60 Hz
9395P 600 kVA / 600 kW	600 kVA PF 1.0	50/60 Hz

The following sections detail the input, output, environmental, and battery specifications for the UPS.

10.3 Single module specifications

10.3.1 UPS system input

Operating Input Voltage tolerance	400Vac rated voltage
Operating Input Frequency Range	±5 Hz
Operating Input Current	See Table 3-4 on page 19 and Table 3-5. Reduced for Generator Adjustable
Input Current Harmonic Content	< 3% THD at full load
Power Factor	Minimum 0.99

10.3.2 UPS system output

UPS Output Capacity	100% rated current
Output Voltage Regulation	±10% dynamic, ±1.5% steady state
Output Voltage Adjustment (Nominal +/-3%)	380 Vac nominal, adjustable from 368.6 Vac to 391.4 Vac 400 Vac nominal, adjustable from 388 Vac to 412 Vac 415 Vac nominal, adjustable from 402.5 Vac to 427.5 Vac
Output Voltage Harmonic Content	1.5% max THD (linear load) 5% max THD (nonlinear load)
Output Current	See Table 3-4 on page 19.
Output Voltage Balance	2.5% for 100% maximum load imbalance (linear load)

Output Voltage Phase Displacement	1° for 100% maximum load imbalance (linear load)
Output Transients	±5% for 100% load step or removal
Frequency Regulation	±0.1 Hz free running
Synchronous to Bypass	Bypass within voltage limits of +5%, -8% of output setting; bypass within ±3 Hz
Frequency Slew Rate	0.5 Hz per second (configurable)
Overload Capability 9395P 500 kVA / 500 kW	120% for 10 minutes 136% for 30 sec 165% for 10 sec >165% load for 300 ms
9395P 600 kVA / 550 kW	110% for 10 minutes 125% for 30 seconds 150% for 10 seconds >150% load for 300 ms
9395P 600 kVA / 600 kW	110% for 10 minutes 125% for 30 seconds 135% for 10 seconds >135% load for 300 ms

10.3.3 Environmental

Operating Temperature 9395P 500 kVA / 500 kW 9395P 600 kVA / 550 kW 9395P 600 kVA / 600 kW Recommended operating temperature	0 to 40°C without derating 0 to 40°C without derating 0 to 35°C without derating 25°C The maximum rate of temperature change shall be limited to 1.67 °C over 5 minutes (20 °C/hour, based on the ASHRAE standard 90.1-2013)
Operating Altitude	Maximum 1000 m at rated ambient operating temperature without derating. Maximum 2000 m with 1% derating per each additional 100 m above 1000 m.
Storage Temperature	-25 to +60°C, excluding batteries (prolonged storage above 40°C causes rapid battery self-discharge)
Relative Humidity (operating and storage)	5% to 95%, no condensation allowed. There shall be at least a 1.0 °C difference between the dry bulb temperature and the wet bulb temperature, at all times, to maintain a non-condensing environment.
Acoustical Noise (typical)	74 dB at a 1m distance, A weighted

Acoustical Noise (maximum)	81 dB at a 1 m distance, A weighted
----------------------------	-------------------------------------

10.3.4 UPS DC input

Battery type	VRLA, 12 Vdc
Battery quantity	40 blocks, 240 cells per battery string (without derating)
Battery voltage	480 Vdc
Recharge profile	ABM or float charge
End of discharge voltage	1.67 Vdc to 1.75 Vdc, configurable or automatic (load adaptive)
Compatibility	Lithium-ion batteries NiCd batteries Wet-cell batteries Supercapacitors
Max. charging current	240 A

Note: For external battery connection, 48 Vdc Shunt Trip signal wiring from the UPS must be connected to the auxiliary signal connection of the battery breaker.

11 Warranty

The product is warranted against defects in design, materials and workmanship for a period of twelve (12 months from its original date of purchase. The local office or distributor may grant a warranty period different to the above and refer to local terms of liability as defined in the supply contract. The UPS manufacturer is not responsible for:

- Any costs resulting from a failure if the installation, commissioning, repair, alternation, or ambient conditions of the equipment do not fulfill the requirements specified in the documentation delivered with the unit and other relevant documentation.
- Equipment subjected to misuse, negligence or accident
- Equipment comprised of materials provided or designs stipulated by the purchaser.

Under no circumstances shall the manufacturer, its suppliers or subcontractors be liable for special, indirect, incidental or consequential damages, losses or penalties.

The technical data, information and specifications are valid at the time of printing. The UPS manufacturer reserves the right to modifications without prior notice.

12 Installation checklist

All packing materials and restraints have been removed from each cabinet.	
Each cabinet in the UPS system is placed in its installed location.	
A cabinet grounding/mounting kit is installed between any cabinets that are bolted together.	
All conduits and cables are properly routed to the UPS and any ancillary cabinets.	
All power cables are properly sized and terminated.	
Neutral conductors are installed or bonded to ground as per requirements.	
Battery cables are terminated on E4 (+ and E5 (-.	
Battery Shunt trip and Aux contact signal wiring is connected from the UPS to the battery breaker.	
LAN and telephone drops are installed.	
All telephone and LAN connections have been completed.	
A ground conductor is properly installed.	
Air conditioning equipment is installed and operating correctly.	
The area around the installed UPS system is clean and dust-free. (It is recommended that the UPS be installed on a level floor suitable for computer or electronic equipment.	
Adequate workspace exists around the UPS and other cabinets.	
Adequate lighting is provided around all UPS equipment.	
A 230 Vac service outlet is located within 7.5 meters of the UPS equipment.	
The Remote Emergency Power-off (REPO) device is mounted in its installed location and its wiring is terminated inside the UPS cabinet.	
The normally-closed (NC) Emergency Power-off contact (pins 1 and 2 on TB1 is jumpered if not used.	
Alarm relays and building alarms are wired appropriately. (OPTIONAL	
A remote battery disconnect control is mounted in its installed location and its wiring is terminated inside the UPS and battery cabinet. (OPTIONAL	
Accessories are mounted in installed locations and wiring is terminated inside the UPS cabinet. (OPTIONAL	
The debris shield covering the UPS cabinet ventilation grill is removed.	
Startup and operational checks are performed by an authorized Eaton Customer Service Engineer.	